

**IMPORTANT**  
Read Before Using

**IMPORTANT**  
Lire avant usage

**IMPORTANTE**  
Leer antes de usar



**Operating / Safety Instructions**  
**Consignes d'utilisation/de sécurité**  
**Instrucciones de funcionamiento y seguridad**

**GBH18V-45C**



**BOSCH**

Call Toll Free for Consumer Information and Service Locations

Pour obtenir des informations et les adresses de nos centres de service après-vente, appelez ce numéro gratuit

Llame gratis para obtener información para el consumidor y ubicaciones de servicio

**1-877-BOSCH99 (1-877-267-2499) [www.boschtools.com](http://www.boschtools.com)**





For English Version  
See page 2

Version française  
Voir page 18

Versión en español  
Ver la página 37

## Safety Symbols

The definitions below describe the level of severity for each signal word. Please read the manual and pay attention to these symbols.

	This is the safety alert symbol. It is used to alert you to potential personal injury hazards. Obey all safety messages that follow this symbol to avoid possible injury or death.
	DANGER indicates a hazardous situation which, if not avoided, will result in death or serious injury.
	WARNING indicates a hazardous situation which, if not avoided, could result in death or serious injury.
	CAUTION indicates a hazardous situation which, if not avoided, could result in minor or moderate injury.

## General Power Tool Safety Warnings

**WARNING** Read all safety warnings and all instructions. Failure to follow the warnings and instructions may result in electric shock, fire and/or serious injury.

### SAVE ALL WARNINGS AND INSTRUCTIONS FOR FUTURE REFERENCE

The term “power tool” in the warnings refers to your mains-operated (corded) power tool or battery-operated (cordless) power tool.

### 1. Work area safety

- a. **Keep work area clean and well lit.** Cluttered or dark areas invite accidents.
- b. **Do not operate power tools in explosive atmospheres, such as in the presence of flammable liquids, gases or dust.** Power tools create sparks which may ignite the dust or fumes.
- c. **Keep children and bystanders away while operating a power tool.** Distractions can cause you to lose control.

### 2. Electrical safety

- a. **Power tool plugs must match the outlet. Never modify the plug in any way. Do not use any adapter plugs with earthed (grounded) power tools.** Unmodified plugs and matching outlets will reduce risk of electric shock.
- b. **Avoid body contact with earthed or grounded surfaces such as pipes, radiators, ranges and refrigerators.** There is an increased risk of electric shock if your body is earthed or grounded.
- c. **Do not expose power tools to rain or**

**wet conditions.** Water entering a power tool will increase the risk of electric shock.

- d. **Do not abuse the cord. Never use the cord for carrying, pulling or unplugging the power tool. Keep cord away from heat, oil, sharp edges or moving parts.** Damaged or entangled cords increase the risk of electric shock.
- e. **When operating a power tool outdoors, use an extension cord suitable for outdoor use.** Use of a cord suitable for outdoor use reduces the risk of electric shock.
- f. **If operating a power tool in a damp location is unavoidable, use a Ground Fault Circuit Interrupter (GFCI) protected supply.** Use of an GFCI reduces the risk of electric shock.

### 3. Personal safety

- a. **Stay alert, watch what you are doing and use common sense when operating a power tool. Do not use a power tool while you are tired or under the influence of drugs, alcohol or medication.** A moment of inattention

## General Power Tool Safety Warnings

while operating power tools may result in serious personal injury.

- b. Use personal protective equipment. Always wear eye protection.** Protective equipment such as dust mask, non-skid safety shoes, hard hat, or hearing protection used for appropriate conditions will reduce personal injuries.
- c. Prevent unintentional starting. Ensure the switch is in the off-position before connecting to power source and / or battery pack, picking up or carrying the tool.** Carrying power tools with your finger on the switch or energizing power tools that have the switch on invites accidents.
- d. Remove any adjusting key or wrench before turning the power tool on.** A wrench or a key left attached to a rotating part of the power tool may result in personal injury.
- e. Do not overreach. Keep proper footing and balance at all times.** This enables better control of the power tool in unexpected situations.
- f. Dress properly. Do not wear loose clothing or jewelry. Keep your hair, clothing and gloves away from moving parts.** Loose clothes, jewelry or long hair can be caught in moving parts.
- g. If devices are provided for the connection of dust extraction and collection facilities, ensure these are connected and properly used.** Use of dust collection can reduce dust-related hazards.

### 4. Power tool use and care

- a. Do not force the power tool. Use the correct power tool for your application.** The correct power tool will do the job better and safer at the rate for which it was designed.
- b. Do not use the power tool if the switch does not turn it on and off.** Any power tool that cannot be controlled with the switch is dangerous and must be repaired.
- c. Disconnect the plug from the power source and/or the battery pack from the power tool before making any adjustments, changing accessories, or storing power tools.** Such preventive safety measures reduce the risk of starting the power tool accidentally.
- d. Store idle power tools out of the reach of children and do not allow persons unfamiliar with the power tool or these**

**instructions to operate the power tool.** Power tools are dangerous in the hands of untrained users.

- e. Maintain power tools. Check for misalignment or binding of moving parts, breakage of parts and any other condition that may affect the power tool's operation. If damaged, have the power tool repaired before use.** Many accidents are caused by poorly maintained power tools.
- f. Keep cutting tools sharp and clean.** Properly maintained cutting tools with sharp cutting edges are less likely to bind and are easier to control.
- g. Use the power tool, accessories and tool bits etc. in accordance with these instructions, taking into account the working conditions and the work to be performed.** Use of the power tool for operations different from those intended could result in a hazardous situation.

### 5. Battery tool use and care

- a. Recharge only with the charger specified by the manufacturer.** A charger that is suitable for one type of battery pack may create a risk of fire when used with another battery pack.
- b. Use power tools only with specifically designated battery packs.** Use of any other battery packs may create a risk of injury and fire.
- c. When battery pack is not in use, keep it away from other metal objects, like paper clips, coins, keys, nails, screws, or other small metal objects that can make a connection from one terminal to another.** Shorting the battery terminals together may cause burns or a fire.
- d. Under abusive conditions, liquid may be ejected from the battery, avoid contact. If contact accidentally occurs, flush with water. If liquid contacts eyes, additionally seek medical help.** Liquid ejected from the battery may cause irritation or burns.

### 6. Service

- a. Have your power tool serviced by a qualified repair person using only identical replacement parts.** This will ensure that the safety of the power tool is maintained.

## Rotary Hammer Safety Rules

- a. **Wear ear protectors.** Exposure to noise can cause hearing loss.
- b. **Use auxiliary handle(s), if supplied with the tool.** Loss of control can cause personal injury.
- c. **Hold power tools by insulated gripping surfaces, when performing an operation where the cutting tool may contact hidden wiring.** Cutting accessory contacting a "live" wire may make exposed metal parts of the power tool "live" and could give the operator an electric shock.
- d. **Use clamps or another practical way to secure and support the workpiece to a stable platform.** Holding the work by hand or against your body leaves it unstable and may lead to loss of control.
- e. **Do not drill, fasten or break into existing walls or other blind areas where electrical wiring may exist.** If this situation is unavoidable, disconnect all fuses or circuit breakers feeding this worksite.
- f. **Use a metal detector to determine if there are gas or water pipes hidden in the work area or call the local utility company for assistance before beginning the operation.** Striking or cutting into a gas line will result in explosion. Water entering an electrical device may cause electrocution.
- g. **Always use the side handle for maximum control over torque reaction or kick-back. Never attempt to operate this tool with one hand.** The slip clutch engages if you firmly control the tool during a torque reaction or kickback.
- h. **Always wear safety goggles or eye protection when using this tool. Use a dust mask or respirator for applications that generate dust.** Safety goggles or eye protection will help deflect fragments of the material that may be thrown toward your face and eyes. Dust generated or gases released from the material you are cutting (i.e. asbestos insulated pipes, radon) may cause respiratory difficulties.
- i. **Use thick cushioned gloves and limit the exposure time by taking frequent rest periods.** Vibration caused by hammer-drill action may be harmful to your hands and arms.
- j. **Position yourself to avoid being caught between the tool or side handle and walls or posts.** Should the bit become bound or jammed in the work, the reaction torque of the tool could crush your hand or leg.
- k. **Do not strike the bit with a handheld hammer or sledgehammer to attempt to dislodge a bound or jammed bit.** Fragments of metal from the bit could dislodge and strike you or bystanders.
- l. **Never place the tool down until the bit or accessory has come to a complete stop.**
- m. **Do not use dull or damaged bits and accessories.** Dull or damaged bits have a greater tendency to bind in the workpiece.
- n. **When removing the bit from the tool avoid contact with skin and use proper protective gloves when grasping the bit or accessory.** Accessories may be hot after prolonged use.
- o. **Do not run the tool while carrying it at your side.** A spinning bit could become entangled with clothing and injury may result.

## Additional Safety Warnings

GFCI and personal protection devices like electrician's rubber gloves and footwear will further enhance your personal safety.

**Keep handles dry, clean and free from oil and grease.** Slippery hands cannot safely control the power tool.

**Develop a periodic maintenance schedule for your tool. When cleaning a tool be careful not to disassemble any portion of the tool since internal wires may be misplaced or pinched or safety guard return springs may be improperly mounted.** Certain cleaning agents such as gasoline, carbon tetrachloride, ammonia, etc. may damage plastic parts.

**Ensure the switch is in the off position before inserting battery pack.** Inserting the battery pack into power tools that have the switch on invites accidents.

**⚠ WARNING** Some dust created by power sanding, sawing, grinding, drilling, and other construction activities contains chemicals known to cause cancer, birth defects or other reproductive harm. Some examples of these chemicals are:

- Lead from lead-based paints,
- Crystalline silica from bricks and cement and other masonry products, and
- Arsenic and chromium from chemically-treated lumber.

Your risk from these exposures varies, depending on how often you do this type of work. To reduce your exposure to these chemicals: work in a well ventilated area, and work with approved safety equipment, such as those dust masks that are specially designed to filter out microscopic particles.

## Licenses

Copyright (C) 2016–2019

STMicroelectronics

All rights reserved.

Redistribution and use in source and binary forms, with or without modification, are permitted provided that the following conditions are met:

- Redistributions of source code must retain the above copyright notice, this list of conditions and the following disclaimer.
- Redistributions in binary form must reproduce the above copyright notice, this list of conditions and the following disclaimer in the documentation and/or other materials provided with the distribution.
- Neither the name of the copyright holders nor the names of its contributors may be used to endorse or promote products derived from this software without specific prior written permission.

THIS SOFTWARE IS PROVIDED BY THE COPYRIGHT HOLDERS AND CONTRIBUTORS "AS IS" AND ANY EXPRESS OR IMPLIED WARRANTIES, INCLUDING, BUT NOT LIMITED TO, THE IMPLIED WARRANTIES OF MERCHANTABILITY AND FITNESS FOR A PARTICULAR PURPOSE ARE DISCLAIMED. IN NO EVENT SHALL THE COPYRIGHT OWNER OR CONTRIBUTORS BE LIABLE FOR ANY DIRECT, INDIRECT, INCIDENTAL, SPECIAL, EXEMPLARY, OR CONSEQUENTIAL DAMAGES (INCLUDING, BUT NOT LIMITED TO, PROCUREMENT OF SUBSTITUTE GOODS OR SERVICES; LOSS OF USE, DATA, OR PROFITS; OR BUSINESS INTERRUPTION) HOWEVER CAUSED AND ON ANY THEORY OF LIABILITY, WHETHER IN CONTRACT, STRICT LIABILITY, OR TORT (INCLUDING NEGLIGENCE OR OTHERWISE) ARISING IN ANY WAY OUT OF THE USE OF THIS SOFTWARE, EVEN IF ADVISED OF THE POSSIBILITY OF SUCH DAMAGE.

Copyright (C) 2009–2016 ARM LIMITED

All rights reserved.





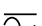

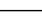
Redistribution and use in source and binary forms, with or without modification, are permitted provided that the following conditions are met:

- Redistributions of source code must retain the above copyright notice, this list of conditions and the following disclaimer.
- Redistributions in binary form must reproduce the above copyright notice, this list of conditions and the following disclaimer in the documentation and/or other materials provided with the distribution.
- Neither the name of ARM nor the names of its contributors may be used to endorse or promote products derived from this software without specific prior written permission.

THIS SOFTWARE IS PROVIDED BY THE COPYRIGHT HOLDERS AND CONTRIBUTORS "AS IS" AND ANY EXPRESS OR IMPLIED WARRANTIES, INCLUDING, BUT NOT LIMITED TO, THE IMPLIED WARRANTIES OF MERCHANTABILITY AND FITNESS FOR A PARTICULAR PURPOSE ARE DISCLAIMED. IN NO EVENT SHALL THE COPYRIGHT OWNER OR CONTRIBUTORS BE LIABLE FOR ANY DIRECT, INDIRECT, INCIDENTAL, SPECIAL, EXEMPLARY, OR CONSEQUENTIAL DAMAGES (INCLUDING, BUT NOT LIMITED TO, PROCUREMENT OF SUBSTITUTE GOODS OR SERVICES; LOSS OF USE, DATA, OR PROFITS; OR BUSINESS INTERRUPTION) HOWEVER CAUSED AND ON ANY THEORY OF LIABILITY, WHETHER IN CONTRACT, STRICT LIABILITY, OR TORT (INCLUDING NEGLIGENCE OR OTHERWISE) ARISING IN ANY WAY OUT OF THE USE OF THIS SOFTWARE, EVEN IF ADVISED OF THE POSSIBILITY OF SUCH DAMAGE.












## Symbols

**Important:** Some of the following symbols may be used on your tool. Please study them and learn their meaning. Proper interpretation of these symbols will allow you to operate the tool better and safer.

Symbol	Designation/Explanation
V	Volts (voltage)
A	Amperes (current)
Hz	Hertz (frequency, cycles per second)
W	Watt (power)
kg	Kilograms (weight)
min	Minutes (time)
s	Seconds (time)
∅	Diameter (size of drill bits, grinding wheels, etc.)
$n_0$	No load speed (rotational speed at no load)
n	Rated speed (maximum attainable speed)
.../min	Revolutions or reciprocation per minute (revolutions, strokes, surface speed, orbits etc. per minute)
0	Off position (zero speed, zero torque...)
1, 2, 3, ... I, II, III,	Selector settings (speed, torque or position settings. Higher number means greater speed)
	Infinitely variable selector with off (speed is increasing from 0 setting)
	Arrow (action in the direction of arrow)
	Alternating current (type or a characteristic of current)
	Direct current (type or a characteristic of current)
	Alternating or direct current (type or a characteristic of current)
	Class II construction (designates double insulated construction tools)
	Earthing terminal (grounding terminal)

## Symbols

**Important:** Some of the following symbols may be used on your tool. Please study them and learn their meaning. Proper interpretation of these symbols will allow you to operate the tool better and safer.

Symbol	Designation / Explanation
	Alerts user to read manual
	Alerts user to wear eye protection
	This symbol designates that this tool is listed by Underwriters Laboratories.
	This symbol designates that this component is recognized by Underwriters Laboratories.
	This symbol designates that this tool is listed by Underwriters Laboratories, to United States and Canadian Standards.
	This symbol designates that this tool is listed by the Canadian Standards Association.
	This symbol designates that this tool is listed by the Canadian Standards Association, to United States and Canadian Standards.
	This symbol designates that this tool is listed by the Intertek Testing Services, to United States and Canadian Standards.
	This symbol designates that this tool complies to NOM Mexican Standards.
	Designates Li-ion battery recycling program
	Designates Ni-Cad battery recycling program

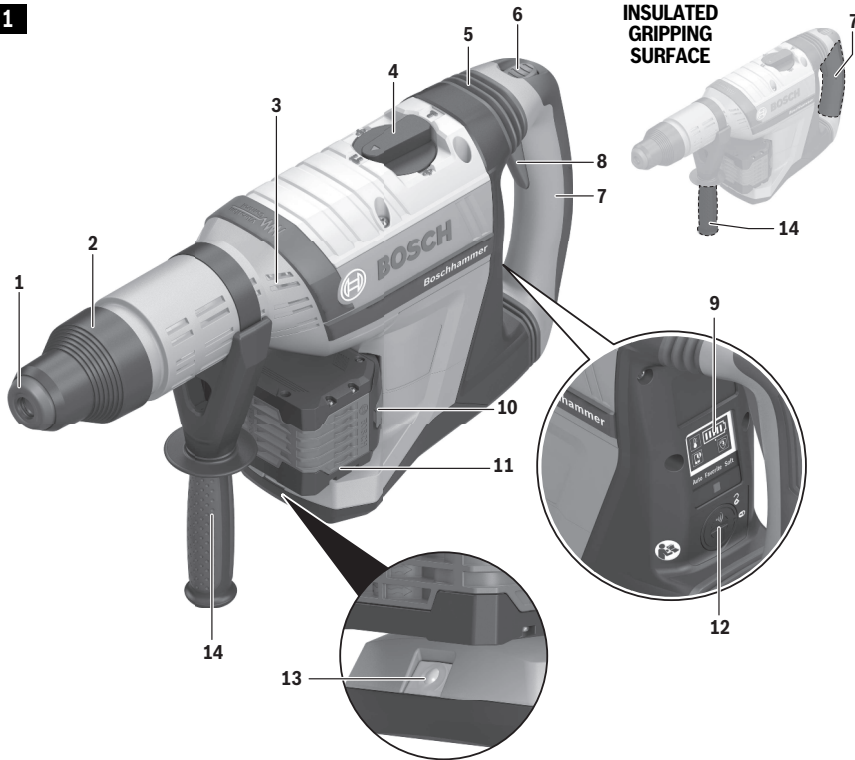


## Functional Description and Specifications

**⚠ WARNING** Disconnect battery pack from tool or place the switch in the locked-off position before making any assembly, adjustments or changing accessories. Such preventive safety measures reduce the risk of starting the tool accidentally.

### Cordless Rotary Hammer GBH18V-45C

**Fig. 1**



- |   |                                          |    |                                               |
|---|------------------------------------------|----|-----------------------------------------------|
| 1 | Dust shield                              | 9  | User interface                                |
| 2 | Accessory Locking Sleeve                 | 10 | Battery pack release button                   |
| 3 | Ventilation openings                     | 11 | Battery pack                                  |
| 4 | Mode Selector Dial                       | 12 | Connectivity module compartment               |
| 5 | Vibration Damper                         | 13 | LED Work light                                |
| 6 | Lock-On / Lock-Off Button                | 14 | Auxiliary Handle (insulated gripping surface) |
| 7 | Main Handle (insulated gripping surface) |    |                                               |
| 8 | On/Off Switch                            |    |                                               |

## Functional Description and Specifications

Model	GBH18V-45C
Voltage	18 V
Shank style	SDS-max®
<b>Allowed ambient temperature</b>	
– during charging	32...113 °F (0...+45 °C)
– during operation and storage	–4...122 °F (–20...+50 °C)
<b>Maximum Drilling Diameter</b>	
Carbide tipped bits	1-7/8" (45 mm)
Carbide tipped core bits	5" (127 mm)

### Connectivity Module (sold separately)

Please refer to the operating/safety instructions, included with connectivity module.

### Battery Packs/Chargers

Please refer to the battery/charger list, included with your tool.

## Assembly

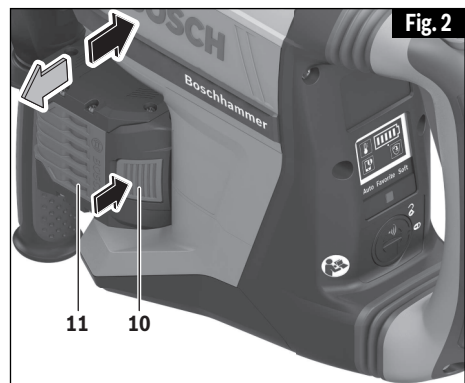
**⚠ WARNING** Disconnect battery pack from tool or place the switch in the locked-off position before making any assembly, adjustments or changing accessories. Such preventive safety measures reduce the risk of starting the tool accidentally.

### Inserting and Releasing Battery Pack

Slide charged battery pack **11** into the housing until the battery pack locks into position (Fig. 2).

Your tool is equipped with a secondary locking latch to prevent the battery pack from completely falling out of the handle, should it become loose due to vibration.

To remove the battery pack, press the battery pack release button **10** and slide the battery pack **11** completely out of tool housing (Fig. 2).



## Assembly

### Installing SDS-max® Accessories

Clean the insert shank end of the accessory to remove any debris, then lightly grease with a light oil or lubricant.

Insert accessory into the tool holder through the dust shield **1**, while twisting and pushing inward until it sets into place. Pull outward on the accessory to be certain it is locked into the tool holder (Fig. 3).

**Note:** The high efficiency available from the rotary hammers can only be obtained if sharp and undamaged accessories are used. The "cost" to maintain sharp and undamaged accessories is more than offset by the "time saved" in operating the tool with sharp accessories.

### Removing SDS-max® Accessories

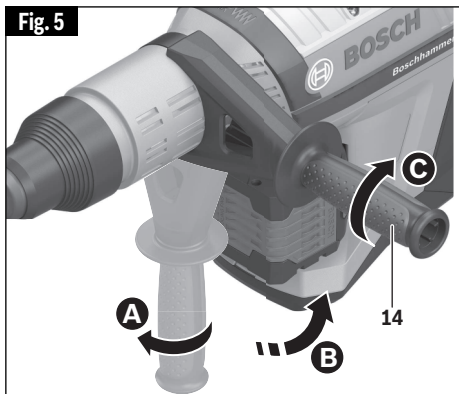
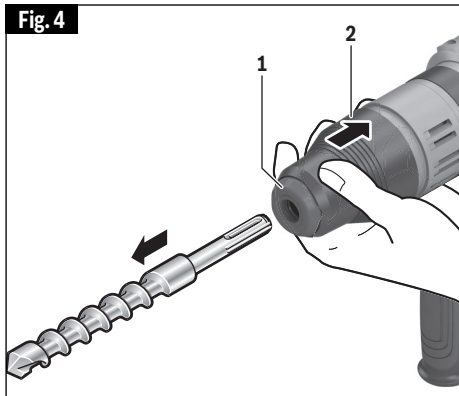
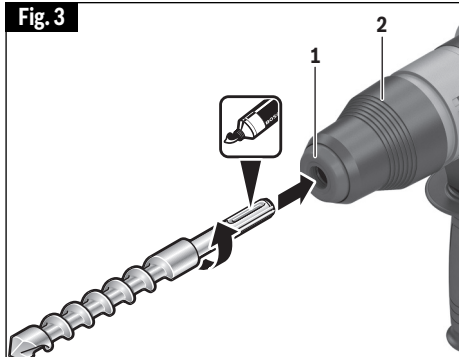
**⚠ WARNING** Accessories may be hot after use. Avoid contact with skin and use proper protective gloves or cloth to remove.

To remove an accessory, pull accessory locking sleeve **2** backward and pull bit forward. All accessories should be wiped clean after removing (Fig. 4).

### Auxiliary Handle

The tool must be used with the auxiliary handle **14**, which can be swiveled 360°.

To reposition and/or swivel the handle **14**, loosen the hand grip, move the handle to the desired position along the barrel and securely retighten the hand grip (Fig. 5).



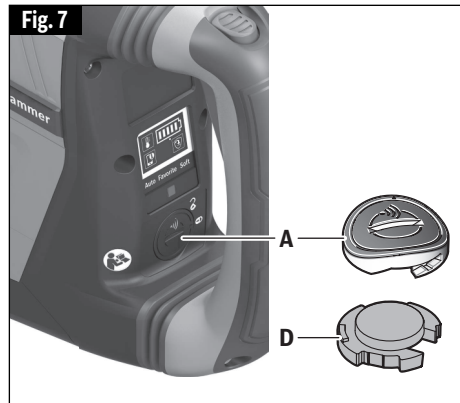
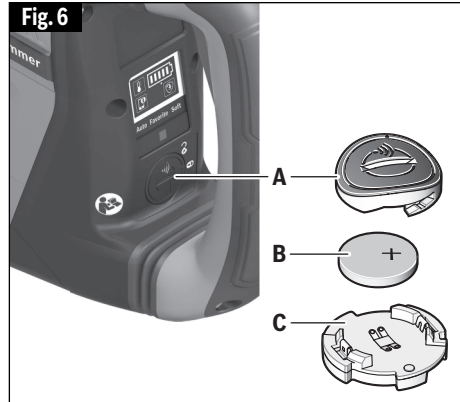
## Assembly

### Connectivity Module Installation (sold separately)

**⚠ WARNING** To reduce the risk of injury read the operating instructions included with Bosch connectivity module. Operating instructions for connectivity module include important information not covered in this manual.

If connectivity module is not purchased with the tool, or if the replacement of the module or the battery becomes necessary, please follow this procedure (See Fig. 6):

- Using a flat screwdriver or a coin, remove the cover **A** from the side of the handle, by turning it 1/8 turn counter-clockwise (Fig. 6 or 7).
- If the tool is already equipped with the connectivity module, remove the battery **B**, but do not remove the connectivity module **C**.
- If the connectivity module is installed for the first time, remove the plastic placeholder **D** from the connectivity module compartment, and place the connectivity module **C** in the compartment observing correct orientation (Fig. 7). **Note:** Store the placeholder **D** in a safe place. Reinsert the placeholder again if the communications module is removed.
- Next place new battery **B** on the top of the connectivity module with the "+" polarity facing up (Fig. 6).



- Place the cover **A** over the battery and turn it 1/8-turn clockwise to lock using a flat screwdriver or a coin.

## Operating Instructions

**⚠ WARNING** Disconnect battery pack from tool or place the switch in the locked off position before making any assembly, adjustments or changing accessories. Such preventive safety measures reduce the risk of starting the tool accidentally.

### Variable Speed Controlled Trigger Switch

Your tool is equipped with a variable speed trigger switch **8**. The tool can be turned "ON" or "OFF" by squeezing or releasing the trigger. The speed can be adjusted from the minimum to maximum nameplate RPM by the pressure you apply to the trigger. Apply more

pressure to increase the speed and release pressure to decrease speed (Fig. 8).

**⚠ WARNING** To reduce the risk of injury immediately discontinue use of the tool if the variable speed control ceases to function. Subsequent loss of on/off control of the trigger switch is likely.

## Operating Instructions



### Lock-On / Lock-Off Button

Lock-On / Lock-Off Button **6** (Fig. 8) serves two purposes:

- **Lock-on** function to keep the tool running without constantly depressing the trigger **8**. This function works only when the Mode selector dial **4** is in the “Hammering” mode (See “Mode Selector Dial” chapter).
- **Lock-Off** function to prevent an accidental activation of the trigger **8**. When the button is in down position, the trigger is disabled. Before turning the tool on, press and release the button **6** to return it to the up (unlocked) position.

**CAUTION** Pressing the lock-on / lock-off button while the tool is running in any mode other than “Hammering” will shut the tool off and lock it in an “OFF” position. In addition, switching modes while in lock-on mode will shut the tool off and lock it in an “OFF” position.

To resume hammer operation, press and release the Lock-Off Button **6**.

### Mode Selector Dial

**CAUTION** Do not operate the selection dial until the tool comes to a complete stop. Shifting during rotation of the chuck can cause damage to the tool.

The mode selector dial **4** allows the tool

to be set for various applications as listed in the following chart:

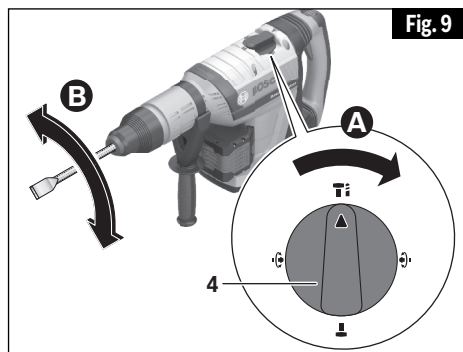
	<b>Drilling:</b> used for hammer-drilling concrete
	<b>Vario-lock</b> allows chisel to be set in one of 12 positions
	<b>Hammering:</b> used for chiseling and demolition work

When using demolition or chiseling bits such as bull points, chisels, spades, gouges, etc., the “Hammering” mode must be selected.

### “Vario-Lock”

The Vario-Lock position is intended for use with chiseling bits such as bull points, spades, gouges, etc. Choose a position which is best suited for your operation.

Turn the mode selector dial **4**, to the “vario-lock” setting. Next, rotate the locking sleeve, along with the accessory, to the desired position. Then turn the mode selector dial to the “Hammering” setting and slightly turn the locking sleeve to have it automatically lock into a definite position (Fig. 9).



## Operating Instructions

### User Interface (Fig. 10)

The user interface **9** is used to select the work preset and to indicate the status of the power tool and battery.

### BATTERY CHARGE INDICATOR

When the battery charge indicator **18** is glowing green, the battery is charged and the number of bars shows the percentage level of the charge.

Glowing yellow and only one bar indicates that the battery needs to be charged or replaced soon.

Glowing red and only one bar means that the battery charge is depleted.

### TEMPERATURE INDICATOR

If the temperature indicator **16** is glowing yellow, the critical temperature of the motor, electronics or battery has been reached. Run the power tool at no load and allow it to cool down.

If the temperature indicator is glowing red, power tool is overheated and will switch off. Allow the power tool to cool down.

### SMARTPHONE STATUS INDICATOR

**Green** Smartphone status indicator **17** shows that there's non-critical information available in 'Bosch Toolbox' app for user to read.

**Yellow** smartphone status indicator **17** shows that there's important information available (e.g. temperature warning).

**Red** smartphone status indicator **17** shows that there's critical information available. It is recommended that the user reviews the message immediately.

Refer to "Using 'Bosch Toolbox' app" chapter for more information.

### POWER TOOL STATUS FRAME

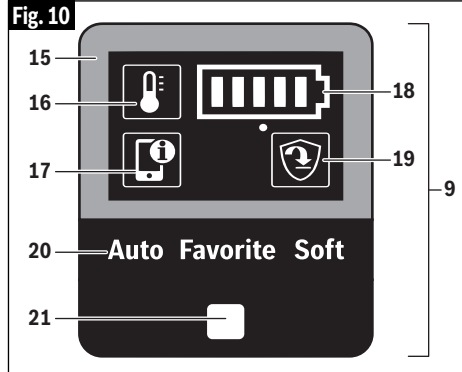
Green light of the power tool status frame **15** indicates that everything is functioning as intended.

**Yellow light** indicates that:

- Critical temperature has been reached (the temperature indicator **16** is also glowing yellow) or
- Battery is almost empty (the battery charge indicator **18** is also glowing yellow).

**Steady red light** indicates that:

- Power tool is overheated (the



temperature indicator **16** is glowing red) or

- Battery is depleted (the battery charge indicator **18** is also glowing red).
- An attempt has been made to press Lock-on button **6** while the tool was running in any mode other than "Hammering" (See "Lock-On / Lock-Off Button" chapter).

**Flashing red light** indicates that:

- Kickback Control is triggered (the Kickback Control indicator **19** is also flashing) or

**Flashing blue light** indicates that the power tool is connected to a mobile device or settings are being transferred. To accept the change of settings from the mobile device press work preset button **21**.

### WORK PRESETS

The work preset button **21** allows you switch between work presets:

In **Auto** work preset, the power tool reaches maximum performance.

- For "Drilling" operating mode: Rapid increase in speed for controlled drilling up to maximum RPM. Kickback control is enabled.
- For "Hammering" operating mode: Rapid increase in speed up to maximum BPM when chiseling is started.

**Soft** work preset is used to work with delicate materials.

- For "Drilling" operating mode: Slow increase in speed for controlled drilling. Kickback control is enabled.

## Operating Instructions

- For "Hammering" operating mode: Soft start is enabled for precise control and positioning with a variable speed control in the trigger.

In **Favorite** work preset, the power tool can be customized via 'Bosch Toolbox' app.

- For "Drilling" operating mode: Ramp-up speed and maximum RPM can be customized. The sensitivity of Kickback Control can be configured.
- For "Hammering" mode: Soft start can be enabled/disabled.

Refer to "Using 'Bosch Toolbox' app" chapter for more information.

### Adaptive Speed Control



In "Hammering" operating mode, the power tool starts at a low idle speed for better control and precise positioning. When force is applied to the workpiece, the speed quickly increases.

### Slip Clutch

The tool has an internal pre-set slip clutch. The output spindle will stop rotating if the accessory binds and overloads the tool.

### Vibration damping



**Vibration Control** The integrated vibration damping function reduces the generated vibration.

Do not use the power tool if the vibration damper **5** is damaged (Fig. 1).

### Kickback Control



The rapid shut-off feature enables better control and improves user's comfort. The power tool automatically shuts off in case of sudden and unexpected rotation of the power tool around the drilling axis (for example jamming of the drill bit in reinforcing steel or wedging application tool). To restart the power tool, release the trigger switch

and then actuate again.

Kickback Control can activate only when the power tool is running at maximum operating speed and can rotate freely around the drill bit axis.

### Tool Tips

For the best penetration rates in concrete, run the tool with a steady pressure, but do not use excessive force as this will decrease the efficiency of the tool.

All hammers require a short period of time to warm up. Depending on the room temperature, this time may vary from approximately 15 seconds (90°F / 32°C) to 2 minutes (32°F / 0°C). A new hammer requires a break-in period before full performance is realized. This period may require up to 5 hours of operation.

A combination hammer is likely to be the most expensive portable tool at the construction job. The long wear and efficient operation of the BOSCH hammers will more than justify the cost for tools of this type. As earlier pointed out, sharp accessories as well as clean air vents are necessary for efficient operation. Establish and follow a set maintenance program.

## Connectivity

### Using 'Bosch Toolbox' app

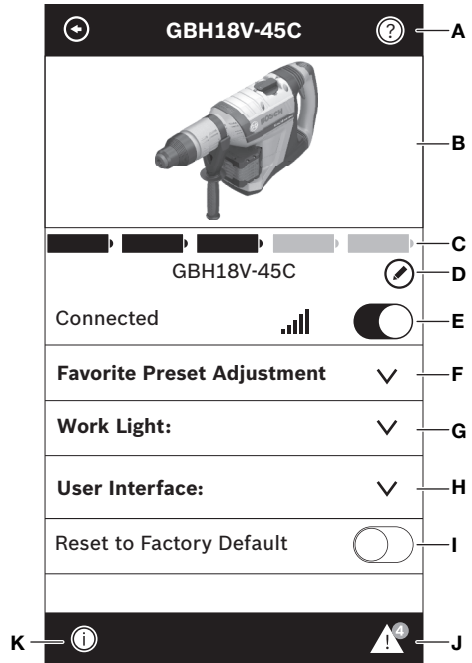
Install 'Bosch Toolbox' app on your mobile device or make sure you are running the latest version of the app.

Launch 'Bosch Toolbox' app on your mobile device and click on "My Tools" icon/tile. Follow the app directions to pair the tool with the mobile device.

After pairing your tool with a mobile device you can adjust certain functions or check the status of the power tool using Bosch Toolbox app.

Every time you change any setting, the tool will confirm the changes by flashing blue light of the power tool status frame 15 (Fig. 9).

- A. Help button** – tapping this button will bring up help screen.
- B. Tool photo** – tapping on the photo will let you customize the photograph of the tool.
- C. Power tool battery charge status** – the number of green 'batteries' indicates the estimated charge level for the battery pack.
- D. Power tool nickname** – tapping on the 'pencil' icon will let you customize the tool nickname. You can also do it when changing the tool photo.
- E. Connection status bar** – Here you can see the connection (signal) strength indicated by vertical bars. You can use toggle switch to disconnect the tool from your mobile device.
- F. Favorite Preset Adjustment** – Select the Favorite Preset in the user interface on the tool to use the settings configured in this section. The Favorite Preset offers settings for drilling and for hammering.
- G. Work Light** – Modify settings to the LED.
- H. User Interface** – Customize tool interface and usage settings.
- I. Reset to Factory Default** – returns the tool to its original settings.
- J. Tool alerts** – tapping the 'alerts triangle' will display any alerts received from the tool.



- K. Info button** – displays tool information and specifications.



## Dust Extraction

For selection of dust collection systems and operating instructions, see the Operating / Safety Instructions for 'Dust Extraction Attachments for Hammers

and Hammer Drills' included with your tool or with the dust extraction attachment.

## Maintenance

**⚠ WARNING** To avoid accidents, always disconnect the battery pack from tool before servicing or cleaning.

### Service

**⚠ WARNING** NO USER SERVICE-ABLE PARTS INSIDE. Preventive maintenance performed by unauthorized personnel may result in misplacing of internal wires and components which could cause serious hazard. We recommend that all tool service be performed by a Bosch Factory Service Center or Authorized Bosch Service Station. SERVICEMEN: Disconnect battery pack from the tool before servicing.

### Batteries

**Be alert for battery packs that are nearing their end of life.** If you notice decreased tool performance or significantly shorter running time between charges then it is time to replace the battery pack. Failure to do so can cause the tool to operate improperly or damage the charger.

### Tool Lubrication

Your Bosch tool has been properly lubricated and is ready for use.

### Motors

The motor in your tool has been engineered for many hours of dependable service. To maintain peak efficiency of the motor, we recommend it be examined every six months by a Bosch Factory Service Center or Authorized Bosch Service Station.

### Cleaning

**⚠ CAUTION** Certain cleaning agents and solvents damage plastic parts. Some of these are: gasoline, carbon tetrachloride, chlorinated cleaning solvents, ammonia and household detergents that contain ammonia.

Ventilation openings and switch levers must be kept clean and free of foreign matter. Do not attempt to clean by inserting pointed objects through opening.

## Attachments and Accessories

**⚠ WARNING** Only use attachments or accessories specified in this instruction manual. The use of any other attachments or accessories not specified in this manual may create a hazard.

**Store accessories in a dry and temperate environment to avoid corrosion and deterioration.**

Included	Sold Separately
- 360° Auxiliary Handle	- Connectivity module

## Symboles relatifs à la sécurité

Les définitions ci-dessous décrivent le niveau de gravité pour chaque terme signalant un danger. Veuillez lire le mode d'emploi et lire la signification de ces symboles.

	<p>C'est le symbole d'alerte relatif à la sécurité. Il est utilisé pour vous avertir de l'existence possible d'un danger de lésion corporelle. Obéissez à tous les messages relatifs à la sécurité qui suivent ce symbole pour éviter tout risque de blessure ou même de mort.</p>
	<p>DANGER indique une situation dangereuse qui, si elle n'est pas évitée, causera la mort d'une personne ou une blessure grave.</p>
	<p>AVERTISSEMENT indique une situation dangereuse qui, si elle n'est pas évitée, pourrait causer la mort d'une personne ou une blessure grave.</p>
	<p>MISE EN GARDE indique une situation dangereuse qui, si elle n'est pas évitée, causera une blessure légère ou modérée.</p>

## Avertissements généraux concernant la sécurité des outils électroportatifs

**AVERTISSEMENT** Veuillez lire tous les avertissements et toutes les consignes de sécurité. Si l'on n'observe pas ces avertissements et ces consignes de sécurité, il existe un risque de choc électrique, d'incendie et/ou de blessures corporelles graves.

**CONSERVEZ TOUS LES AVERTISSEMENTS ET TOUTES LES CONSIGNES DE SÉCURITÉ POUR RÉFÉRENCE FUTURE.**

Dans les avertissements, le terme « outil électroportatif » se rapporte à votre outil branché sur le secteur (avec fil) ou à votre outil alimenté par piles (sans fil).

### 1. Sécurité du lieu de travail

- Maintenez le lieu de travail propre et bien éclairé.** Les risques d'accident sont plus élevés quand on travaille dans un endroit encombré ou sombre.
- N'utilisez pas d'outils électroportatifs dans des atmosphères explosives, comme par exemple en présence de gaz, de poussières ou de liquides inflammables.** Les outils électroportatifs produisent des étincelles qui risquent d'enflammer les poussières ou les vapeurs.
- Éloignez les enfants et les visiteurs quand vous vous servez d'un outil électroportatif.** Vous risquez une perte de contrôle si on vous distrait.

### 2. Sécurité électrique

- Les fiches des outils électroportatifs doivent correspondre à la prise. Il ne faut absolument jamais modifier la fiche. N'utilisez pas d'adaptateur de**

**prise avec des outils électroportatifs munis d'une fiche de terre.** Le risque de choc électrique est moindre si on utilise une fiche non modifiée sur une prise qui lui correspond.

- Évitez tout contact du corps avec des surfaces reliées à la terre tels que tuyaux, radiateurs, gazinières ou réfrigérateurs.** Le risque de choc électrique augmente si votre corps est relié à la terre.
- N'exposez pas les outils électroportatifs à la pluie ou à l'humidité.** Si de l'eau pénètre dans un outil électroportatif, le risque de choc électrique augmente.
- Ne maltraitez pas le cordon. Ne vous en servez jamais pour transporter l'outil électroportatif, pour le tirer ou pour le débrancher. Éloignez le cordon de la chaleur, des huiles, des arêtes coupantes ou des pièces mobiles.** Les cordons abîmés ou emmêlés augmentent les risques de choc électrique.
- Si vous utilisez un outil électroportatif à l'extérieur, employez une rallonge**

## Avertissements généraux concernant la sécurité des outils électroportatifs

**conçue pour l'extérieur.** Ces rallonges sont faites pour l'extérieur et réduisent le risque de choc électrique.

- f. S'il est absolument nécessaire d'utiliser l'outil électroportatif dans un endroit humide, utilisez une alimentation protégée par un disjoncteur de fuite de terre (GFCI).** L'utilisation d'un disjoncteur GFCI réduit les risques de choc électrique.

### 3. Sécurité personnelle

- a. Restez concentré, faites attention à ce que vous faites, et servez-vous de votre bon sens lorsque vous utilisez un outil électroportatif. N'employez pas d'outils électroportatifs quand vous êtes fatigué ou sous l'emprise de drogues, d'alcool ou de médicaments.** Quand on utilise des outils électroportatifs, il suffit d'un moment d'inattention pour causer des blessures corporelles graves.
- b. Utilisez des équipements de sécurité personnelle. Portez toujours une protection oculaire.** Le port d'équipements de sécurité tels que des masques antipoussières, des chaussures de sécurité antidérapantes, des casques de chantier et des protecteurs d'oreilles dans des conditions appropriées réduira le risque de blessure corporelle.
- c. Évitez les démarrages intempestifs. Assurez-vous que l'interrupteur est dans la position arrêt (Off) avant de brancher l'outil dans une prise de courant et/ou un bloc-piles, de le ramasser ou de le transporter.** Le transport d'un outil électroportatif avec le doigt sur la gâchette ou le branchement de cet outil quand l'interrupteur est en position de marche (ON) est une invite aux accidents.
- d. Enlevez toutes les clés de réglage avant de mettre l'outil électroportatif en marche.** Si on laisse une clé sur une pièce tournante de l'outil électroportatif, il y a risque de blessure corporelle.
- e. Ne vous penchez pas. Conservez toujours une bonne assise et un bon équilibre.** Ceci vous permettra de mieux maîtriser l'outil électroportatif dans des situations inattendues.
- f. Habillez-vous de manière appropriée. Ne portez pas de vêtements amples ou de bijoux. Attachez les cheveux longs. N'approchez pas les cheveux, les vêtements ou les gants des pièces en**

**mouvement.** Les vêtements amples, les bijoux ou les cheveux longs risquent d'être happés par les pièces en mouvement.

- g. Si l'outil est muni de dispositifs permettant le raccordement d'un système d'aspiration et de collecte des poussières, assurez-vous que ces dispositifs sont raccordés et utilisés correctement.** L'utilisation d'un dépoussiéreur peut réduire les dangers associés à l'accumulation de poussière.

### 4. Utilisation et entretien des outils électroportatifs

- a. Ne forcez pas sur l'outil électroportatif. Utilisez l'outil électroportatif qui convient à la tâche à effectuer.** L'outil qui convient à la tâche fait un meilleur travail et est plus sûr à la vitesse pour lequel il a été conçu.
- b. Ne vous servez pas de l'outil électroportatif si son interrupteur ne parvient pas à le mettre en marche ou à l'arrêter.** Tout outil électroportatif qui ne peut pas être commandé par son interrupteur est dangereux et doit être réparé.
- c. Débranchez la fiche de la prise ou enlevez le bloc-pile de l'outil électroportatif avant tout réglage, changement d'accessoires ou avant de ranger l'outil électroportatif.** De telles mesures de sécurité préventive réduisent le risque de démarrage intempestif de l'outil électroportatif.
- d. Rangez les outils électroportatifs dont vous ne vous servez pas hors de portée des enfants et ne permettez pas à des personnes qui ne connaissent pas l'outil électroportatif ou qui ignorent ces consignes de s'en servir.** Les outils électroportatifs sont dangereux dans les mains d'utilisateurs inexpérimentés.
- e. Entretenez les outils électroportatifs. Vérifiez que les pièces mobiles sont alignées correctement et ne coïncent pas. Vérifiez qu'il n'y a pas de pièces cassées ou d'autre circonstance qui risquent d'affecter le fonctionnement de l'outil électroportatif. Si l'outil est abîmé, faites-le réparer avant de l'utiliser.** De nombreux accidents sont causés par des outils électroportatifs mal entretenus.
- f. Maintenez les outils coupants affûtés et propres.** Les outils coupants entretenus

## Avertissements généraux concernant la sécurité des outils électroportatifs

correctement et dotés de bords tranchants affûtés sont moins susceptibles de coincer et sont plus faciles à maîtriser.

- g. Utilisez l'outil électroportatif, les accessoires et les embouts d'outil, etc. conformément à ces instructions, en tenant compte des conditions de travail et des travaux à réaliser.** L'emploi d'outils électroportatifs pour des tâches différentes de celles pour lesquelles ils ont été prévus peut résulter en une situation dangereuse.

### 5. Utilisation et entretien des outils à piles

- a. Rechargez les piles uniquement avec le chargeur spécifié par le fabricant.** Un chargeur qui convient à un type de bloc-piles peut entraîner un risque d'incendie quand il est utilisé avec un autre bloc-piles.
- b. Utilisez des outils électroportatifs uniquement avec les bloc-piles spécifiquement désignés pour eux.** L'utilisation de tout autre bloc-piles peut créer un risque de blessures et d'incendie.

- c. Lorsque le bloc-piles n'est pas utilisé, gardez-le à distances d'autres objets métalliques tels que des trombones, des pièces de monnaie, des clés, des clous, des vis ou de tout autre objet métallique pouvant faire une connexion entre une borne et une autre.** Court-circuiter les bornes des piles peut causer des brûlures ou un incendie.
- d. Dans des conditions abusives, du liquide peut être éjecté de la pile ; dans un tel cas, évitez tout contact avec ce liquide. Si un contact se produit accidentellement, rincez avec de l'eau. Si le liquide entre en contact avec les yeux, consultez un médecin.** Du liquide éjecté de la pile peut causer des irritations ou des brûlures.

### 6. Entretien

- a. Faites réparer votre outil électroportatif par un agent de service qualifié n'utilisant que des pièces de rechange identiques.** Ceci assure que la sécurité de l'outil électroportatif est préservée.

## Règles de sécurité concernant les marteaux rotatifs

- a. **Portez des protecteurs d'oreilles quand vous utilisez des perceuses à percussion.** L'exposition au bruit peut causer une perte d'acuité auditive.
- b. **Utilisez la ou les poignée(s) auxiliaire(s) si elle est/elles sont fournie(s) avec l'outil.** Une perte de contrôle pourrait causer des blessures physiques.
- c. **Tenez l'outil électroportatif par ses surfaces de préhension isolées lorsque vous effectuez une opération à l'occasion de laquelle l'accessoire de coupe risque d'entrer en contact avec un fil caché.** Tout contact de l'accessoire de coupe avec un fil sous tension risque de mettre aussi sous tension les parties métalliques exposées de l'outil électroportatif, ce qui pourrait causer un choc électrique pour l'opérateur.
- d. **Utilisez des brides ou d'autres moyens pratiques de brider ou de supporter la pièce sur une plate-forme stable.** Tenir la pièce à la main ou contre le corps est instable et risque de résulter en une perte de contrôle.
- e. **Ne percez, fixez et ne rentrez pas dans des murs existants ou autres endroits aveugles pouvant abriter des fils électriques.** Si cette situation est inévitable, débranchez tous les fusibles ou les disjoncteurs alimentant ce site.
- f. **Utilisez un détecteur de métaux afin d'établir s'il y a des tuyaux d'eau ou à gaz dissimulés dans l'aire de travail ou appelez la compagnie de service public locale pour assistance avant de commencer l'opération.** Le fait de frapper une conduite de gaz ou de couper dans celle-ci provoquera une explosion. L'eau pénétrant dans un appareil électrique peut entraîner une électrocution.
- g. **Utilisez toujours la poignée auxiliaire pour un contrôle maximal sur le rebond ou la réaction de couple. Ne tentez jamais d'utiliser cet outil d'une seule main.** L'embrayage à friction s'enclenche si vous tenez fermement l'outil quand celui-ci subit un couple de réaction ou un recul brutal.
- h. **Portez toujours des lunettes à coques latérales ou des lunettes de protection en utilisant cet outil. Utilisez un respirateur ou un masque antipoussières pour les applications qui produisent de la poussière.** Les lunettes de sécurité ou la protection oculaire permettent de dévier les fragments de matériau qui pourraient être projetés vers votre visage et vos yeux. La poussière générée ou les gaz libérés par le matériau que vous travaillez (par ex. tuyaux à isolation amiante, radon) peuvent causer des difficultés respiratoires.
- i. **Utilisez des gants rembourrés épais et limitez le temps d'exposition en prenant des pauses fréquentes.** Les vibrations causées par l'action du marteau-perceuse peuvent être nocives pour vos mains et vos bras.
- j. **Placez-vous de manière à éviter d'être pris entre l'outil ou la poignée latérale et les murs ou les montants.** Si le foret se coince ou grippe dans l'ouvrage, le couple de réaction de l'outil pourrait écraser votre main ou votre pied.
- k. **Ne frappez pas le foret avec un marteau à main ou un marteau de frappe en tentant de déloger un foret grippé ou coincé.** Des fragments métalliques pourraient se détacher du foret et vous frapper ou frapper des personnes présentes.
- l. **Ne posez jamais l'outil jusqu'à ce que le foret ou l'accessoire se soit arrêté complètement.**
- m. **N'utilisez pas de forets et d'accessoires émoussés ou endommagés.** Les forets émoussés ou endommagés ont tendance à gripper dans l'ouvrage.
- n. **En retirant le foret de l'outil, évitez tout contact avec la peau et utilisez des gants protecteurs appropriés en saisissant le foret ou l'accessoire.** Les accessoires peuvent être chauds après une utilisation prolongée.
- o. **Ne laissez pas l'outil en marche tout en le portant à votre côté.** Le foret en rotation peut s'emmêler avec les vêtements et causer des blessures.

## Avertissements supplémentaires concernant la sécurité

L'emploi d'un GFCI et de dispositifs de protection personnelle tels que gants et chaussures d'électricien en caoutchouc améliorent votre sécurité personnelle.

**Maintenez les poignées sèches et exemptes d'huile et de graisse.** On ne peut pas maîtriser un outil électroportatif en toute sécurité quand on a les mains glissantes.

**Créez un agenda d'entretien périodique pour votre outil. Quand vous nettoyez un outil, faites attention de n'en démonter aucune pièce car il est toujours possible de mal remonter ou de pincer les fils internes ou de remonter incorrectement les ressorts de rappel des capots de protection.** Certains agents de nettoyage tels que l'essence, le tétrachlorure de carbone, l'ammoniaque, etc. risquent d'abîmer les plastiques.

**Veillez à ce que l'interrupteur soit dans la position de fermeture avant d'insérer le bloc-piles.** L'insertion d'un bloc-piles dans un outil électroportatif dont l'interrupteur est dans la position de marche est une invite aux accidents.

**⚠ AVERTISSEMENT** Les travaux à la machine tel que ponçage, sciage, meulage, perçage et autres travaux du bâtiment peuvent créer des poussières contenant des produits chimiques qui sont des causes reconnues de cancer, de malformation congénitale ou d'autres problèmes reproductifs. Ces produits chimiques sont, par exemple :

- Le plomb provenant des peintures à base de plomb,
- Les cristaux de silices provenant des briques et du ciment et d'autres produits de maçonnerie, et
- L'arsenic et le chrome provenant des bois traités chimiquement.

Le niveau de risque dû à cette exposition varie avec la fréquence de ces types de travaux. Pour réduire l'exposition à ces produits chimiques, il faut travailler dans un lieu bien ventilé et porter un équipement de sécurité approprié tel que certains masques à poussière conçus spécialement pour filtrer les particules microscopiques.

## Licences

Copyright (C) 2016–2019

STMicroelectronics

Tous les droits sont réservés.

La redistribution et l'utilisation sous formes source et binaire, avec ou sans modifications, sont autorisées à condition que les conditions suivantes soient remplies :

- Les redistributions du code source doivent conserver l'avis de droits d'auteur ci-dessus, cette liste de conditions et le rejet de responsabilité suivant.
- Les redistributions sous forme binaire doivent reproduire l'avis de droits d'auteur ci-dessus, cette liste de conditions et le rejet de responsabilité suivant dans la documentation et/ou les autres éléments fournis avec la distribution.
- Ni le nom de les détenteurs des droits d'auteur, ni les noms de ses collaborateurs ne peuvent être utilisés pour approuver ou promouvoir des produits dérivés de ce logiciel sans autorisation écrite préalable spécifique.

CE LOGICIEL EST FOURNI PAR LES

DÉTENTEURS DES DROITS D'AUTEUR ET LES CONTRIBUTEURS « EN L'ÉTAT », ET TOUTES GARANTIES EXPRESSES OU IMPLICITES, Y COMPRIS, MAIS SANS S'Y LIMITER, LES GARANTIES IMPLICITES DE QUALITÉ MARCHANDE ET D'ADÉQUATION À UN USAGE PARTICULIER, SONT REJETÉES. EN AUCUN CAS, LE PROPRIÉTAIRE OU LES CONTRIBUTEURS DES DROITS D'AUTEUR NE SERONT RESPONSABLES DE DOMMAGES DIRECTS, INDIRECTS, ACCESSOIRES, SPÉCIAUX, EXEMPLAIRES OU CONSÉCUTIFS (Y COMPRIS, MAIS SANS S'Y LIMITER, LA FOURNITURE DE MARCHANDISES OU DE SERVICES DE SUBSTITUTION) ; LA PERTE D'UTILISATION, DE DONNÉES OU DE BÉNÉFICES ; OU INTERRUPTION DES AFFAIRES, QUELLE QUE SOIT LA CAUSE ET QUELLE QUE SOIT LA THÉORIE DE RESPONSABILITÉ, QUE CE SOIT UN CONTRAT, LA RESPONSABILITÉ SANS FAUTE OU UN QUASI-DÉLIT (Y COMPRIS LA NÉGLIGENCE OU UNE AUTRE CAUSE), DÉCOULANT D'UNE QUELCONQUE MANIÈRE DE L'UTILISATION DE CE LOGICIEL, MÊME S'IL AVAIT ÉTÉ INFORMÉ DE LA POSSIBILITÉ D'UN TEL DOMMAGE.

Copyright (C) 2009 - 2016 ARM LIMITED

Tous les droits sont réservés.

La redistribution et l'utilisation sous formes source et binaire, avec ou sans modifications, sont autorisées à condition que les conditions suivantes soient remplies :


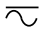

- Les redistributions du code source doivent conserver l'avis de droits d'auteur ci-dessus, cette liste de conditions et le rejet de responsabilité suivant.
- Les redistributions sous forme binaire doivent reproduire l'avis de droits d'auteur ci-dessus, cette liste de conditions et le rejet de responsabilité suivant dans la documentation et/ou les autres éléments fournis avec la distribution.
- Ni le nom de ARM, ni les noms de ses collaborateurs ne peuvent être utilisés pour approuver ou promouvoir des produits dérivés de ce logiciel sans autorisation écrite préalable spécifique.

CE LOGICIEL EST FOURNI PAR LES

LES CONTRIBUTEURS « EN L'ÉTAT », ET TOUTES GARANTIES EXPRESSES OU IMPLICITES, Y COMPRIS, MAIS SANS S'Y LIMITER, LES GARANTIES IMPLICITES DE QUALITÉ MARCHANDE ET D'ADÉQUATION À UN USAGE PARTICULIER, SONT REJETÉES. EN AUCUN CAS, LE PROPRIÉTAIRE OU LES CONTRIBUTEURS DES DROITS D'AUTEUR NE SERONT RESPONSABLES DE DOMMAGES DIRECTS, INDIRECTS, ACCESSOIRES, SPÉCIAUX, EXEMPLAIRES OU CONSÉCUTIFS (Y COMPRIS, MAIS SANS S'Y LIMITER, LA FOURNITURE DE MARCHANDISES OU DE SERVICES DE SUBSTITUTION) ; LA PERTE D'UTILISATION, DE DONNÉES OU DE BÉNÉFICES ; OU INTERRUPTION DES AFFAIRES, QUELLE QUE SOIT LA CAUSE ET QUELLE QUE SOIT LA THÉORIE DE RESPONSABILITÉ, QUE CE SOIT UN CONTRAT, LA RESPONSABILITÉ SANS FAUTE OU UN QUASI-DÉLIT (Y COMPRIS LA NÉGLIGENCE OU UNE AUTRE CAUSE), DÉCOULANT D'UNE QUELCONQUE MANIÈRE DE L'UTILISATION DE CE LOGICIEL, MÊME S'IL AVAIT ÉTÉ INFORMÉ DE LA POSSIBILITÉ D'UN TEL DOMMAGE.

## Symboles












**Important :** Certains des symboles suivants peuvent être utilisés sur votre outil. Veuillez les étudier et apprendre leur signification. Une interprétation appropriée de ces symboles vous permettra d'utiliser l'outil de façon plus efficace et plus sûre.

Symbole	Désignation / Explication
V	Volts (tension)
A	Ampères (courant)
Hz	Hertz (fréquence, cycles par seconde)
W	Watt (puissance)
kg	Kilogrammes (poids)
min	Minutes (temps)
s	Secondes (temps)
∅	Diamètre (taille des mèches de perceuse, meules, etc.)
$n_0$	Vitesse à vide (vitesse de rotation, à vide)
n	Vitesse nominale (vitesse maximum pouvant être atteinte)
.../min	Tours ou mouvement alternatif par minute (tours, coups, vitesse en surface, orbites, etc., par minute)
0	Position d'arrêt (vitesse zéro, couple zéro ...)
1, 2, 3, ... I, II, III,	Réglages du sélecteur (Réglages de vitesse, de couple ou de position. Un nombre plus élevé signifie une vitesse plus grande)
	Sélecteur variable à l'infini avec arrêt (La vitesse augmente depuis le réglage 0)
	Flèche (action dans la direction de la flèche)
	Courant alternatif (type ou caractéristique du courant)
	Courant continu (type ou caractéristique du courant)
	Courant alternatif ou continu (type ou caractéristique du courant)
	Construction classe II (désigne des outils construits avec double isolation)
	Borne de terre (borne de mise à la terre)



## Symboles

**Important :** Certains des symboles suivants peuvent être utilisés sur votre outil. Veuillez les étudier et apprendre leur signification. Une interprétation appropriée de ces symboles vous permettra d'utiliser l'outil de façon plus efficace et plus sûre.

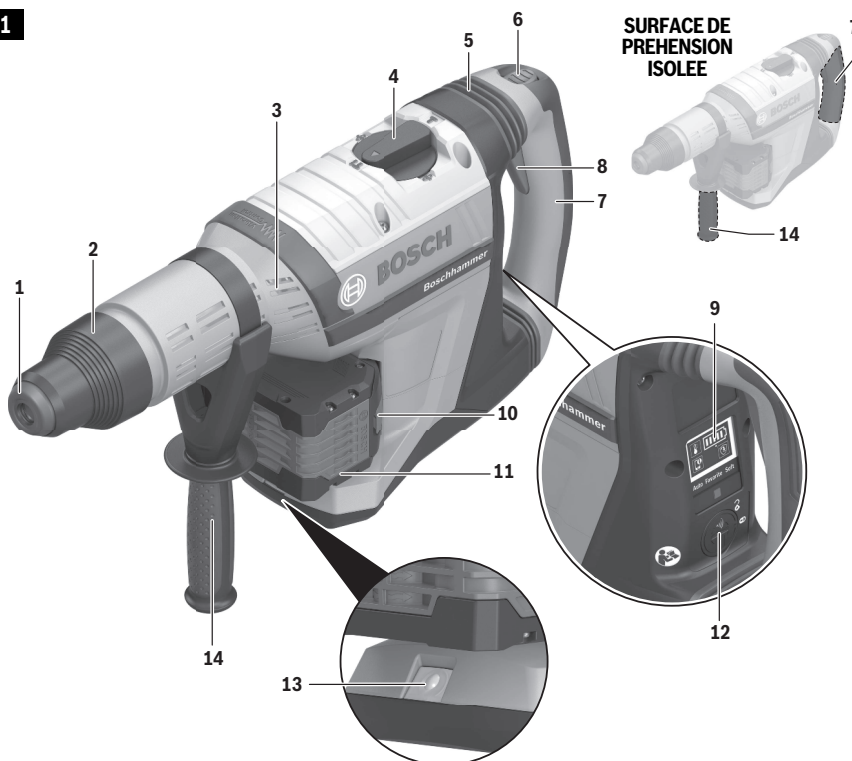
Symbole	Désignation / Explication
	Alerte l'utilisateur pour lire le mode d'emploi
	Alerte l'utilisateur pour porter des lunettes de sécurité
	Ce symbole signifie que cet outil est approuvé par Underwriters Laboratories.
	Ce symbole indique que ce composant est reconnu par Underwriters Laboratories.
	Ce symbole signifie que cet outil est approuvé par Underwriters Laboratories selon les normes des États-Unis et du Canada.
	Ce symbole signifie que cet outil est approuvé par l'Association canadienne de normalisation.
	Ce symbole signifie que cet outil est approuvé par l'Association canadienne de normalisation selon les normes des États-Unis et du Canada.
	Ce symbole signifie que cet outil est approuvé par Intertek Testing Services selon les normes des États-Unis et du Canada
	Ce symbole signifie que cet outil se conforme aux normes mexicaines NOM.
	Désigne le programme de recyclage des piles Li-ion.
	Désigne le programme de recyclage des piles Ni-Cad.

## Description fonctionnelle et spécifications

**⚠ AVERTISSEMENT** Déconnectez le bloc-piles de l'outil ou placez l'interrupteur en position désactivée verrouillée avant de procéder au montage, au réglage ou au changement d'accessoires. De telles mesures de sécurité préventives réduisent le risque de démarrage accidentel de l'outil.

### Marteau rotatif sans fil GBH18V-45C

Fig. 1



- |                                                           |                                                      |
|-----------------------------------------------------------|------------------------------------------------------|
| 1 Pare-poussière                                          | 8 Interrupteur marche/arrêt                          |
| 2 Manchon de verrouillage accessoire                      | 9 Interface utilisateur                              |
| 3 Prises d'air de ventilation                             | 10 Bouton de déverrouillage du bloc-piles            |
| 4 Cadran de sélection de mode                             | 11 Bloc-piles                                        |
| 5 Amortisseur de vibrations                               | 12 Compartiment du module de connectivité            |
| 6 Bouton de verrouillage en position activée / désactivée | 13 Éclairage de travail à DEL                        |
| 7 Poignée principale (surface de préhension isolée)       | 14 Poignée auxiliaire (surface de préhension isolée) |

## Description fonctionnelle et spécifications

Numéro de modèle	GBH18V-45C
Tension nominale	18 V
Type de tige	SDS-max®
<b>Température ambiante autorisée</b>	
- pendant la charge	32...113 °F (0...+45 °C)
- pendant le fonctionnement et stockage	-4...122 °F (-20...+50 °C)
<b>Diamètre de perçage maximum</b>	
Mèches à pointe au carbure	1-7/8 po (45 mm)
Mèches à carottage à pointe au carbure	5 po (127 mm)

### Bloc-piles/chargeurs

Veillez vous référer à la liste des piles/chargeurs accompagnant votre outil.

### Module de connectivité (vendu séparément)

Veillez vous référer aux instructions d'utilisation/consignes de sécurité incluses avec le module de connectivité.

## Assemblage

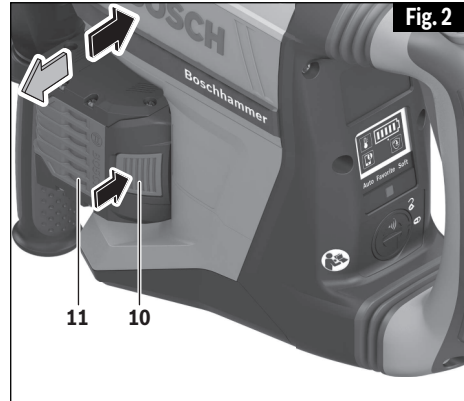
**⚠ AVERTISSEMENT** Déconnectez le bloc-piles de l'outil ou placez l'interrupteur en position désactivée verrouillée avant de procéder au montage, au réglage ou au changement d'accessoires. De telles mesures de sécurité préventives réduisent le risque de démarrage accidentel de l'outil.

### Insertion et retrait du bloc-piles

Faites glisser le bloc-piles **11** dûment chargé dans le boîtier jusqu'à ce que le bloc-piles se verrouille en place (Fig. 2).

Votre outil est muni d'un mécanisme de verrouillage secondaire pour empêcher le bloc-piles de tomber complètement du boîtier de l'outil au cas il s'en détacherait en conséquence des vibrations.

Pour retirer le bloc-piles, appuyez sur le bouton d'éjection du bloc-piles **10** et faites glisser le bloc-piles **11** complètement en dehors du boîtier de l'outil (Fig. 2).

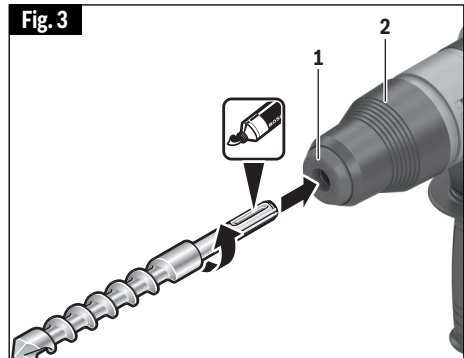


### Installation des accessoires SDS-max®

Nettoyez l'extrémité de la tige d'insertion de l'accessoire pour retirer tous débris éventuels, puis graissez légèrement en utilisant une huile ou un lubrifiant léger.

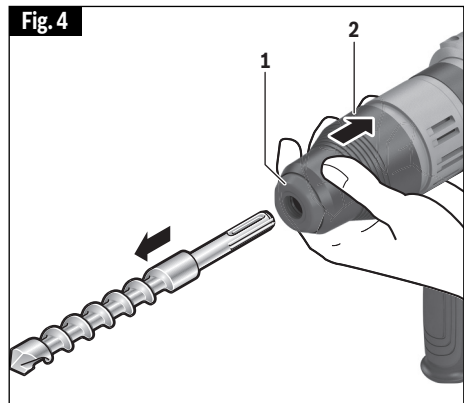
Insérez l'accessoire dans le porte-outil en l'enfilant dans le pare-poussière **1** tout en le tournant et en le poussant jusqu'à ce qu'il prenne sa position. Tirez sur l'accessoire pour vous assurer qu'il est bien verrouillé dans le porte-outil (Fig. 3).

**REMARQUE :** L'efficacité élevée des marteaux rotatifs ne peut être obtenue que si des accessoires tranchants et en bon état sont utilisés. Le "coût" de l'entretien d'accessoires tranchants en bon état est plus que compensé par le « gain de temps » résultant de l'emploi de l'outil avec des accessoires tranchants.



### Retrait des accessoires SDS-max®

**⚠ AVERTISSEMENT** Les accessoires peuvent être très chauds après l'emploi. Évitez tout contact avec la peau et utilisez un chiffon ou des gants de protection appropriés pour les retirer.



Pour retirer un accessoire, tirez le Manchon de verrouillage accessoire **2** vers l'arrière et tirez l'embout vers

## Assemblage

l'avant. Il faut essayer tous les accessoires pour les nettoyer après les avoir retirés (Fig. 3).

### Poignée auxiliaire

L'outil doit être utilisé avec la poignée auxiliaire **14**, qui peut pivoter sur 360°.

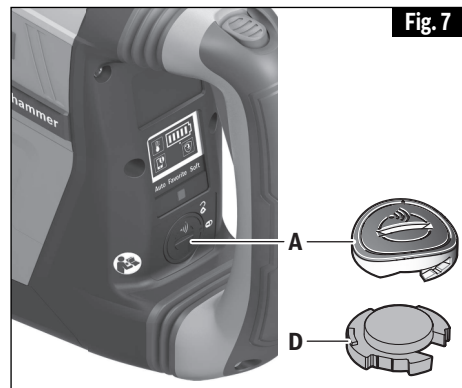
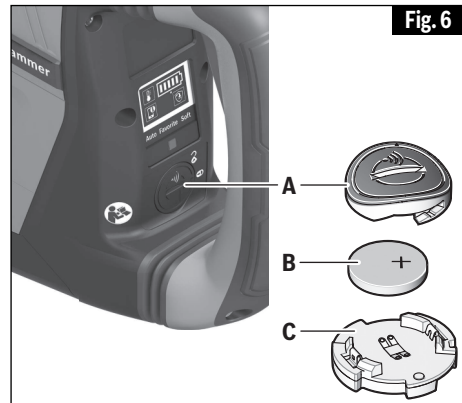
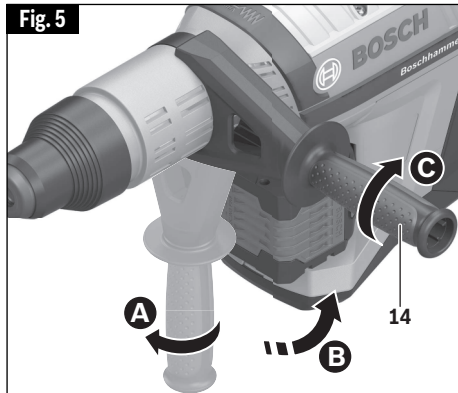
Pour repositionner et/ou faire pivoter la poignée **14**, desserrez la prise manuelle, mettez la poignée dans la position désirée le long du manche cylindrique et resserrez la prise manuelle de façon sécurisée (Fig. 5).

### Installation du module de connectivité GCY30-4 (vendue séparément)

**⚠ AVERTISSEMENT** Pour réduire le risque de blessure, lisez les instructions d'utilisation qui sont jointes au module de connectivité Bosch. Les instructions d'utilisation pour le module de connectivité contiennent des informations importantes qui ne sont pas couvertes dans ce mode d'emploi.

Si le module de connectivité GCY30-4 n'est pas acheté avec l'outil, ou si le remplacement du module ou des piles devient nécessaire, veuillez suivre cette procédure (voir Fig. 6) :

- En utilisant un tournevis à lame plate ou une pièce de monnaie, retirez le couvercle **A** du côté de la poignée en tournant d'un huitième de tour dans le sens contraire des aiguilles d'une montre (Fig. 6 ou 7).
- Si l'outil est déjà muni du module de connectivité, retirez la pile **B** mais pas le module de connectivité **C**.
- Si le module de connectivité est installé pour la première fois, retirez le support de mise en place en plastique **D** du compartiment du module de connectivité et placez le module de connectivité **C** dans le compartiment en respectant l'orientation correcte (Fig. 7).  
**Remarque :** Rangez le support de mise en place **D** en lieu sûr. Réinsérez le support de mise en place si le module de



communications est retiré.

- Puis placez la nouvelle pile **B** sur le module de connectivité avec la polarité « + » orientée vers le haut (Fig. 6).
- Placez le couvercle **A** sur la pile et

## Assemblage

tournez d'un huitième de tour dans le sens des aiguilles d'une montre pour verrouiller en utilisant un

tournevis à lame plate ou une pièce de monnaie.

## Consignes de fonctionnement

**⚠ AVERTISSEMENT** Déconnectez le bloc-piles de l'outil ou placez l'interrupteur en position désactivée verrouillée avant de procéder au montage, au réglage ou au changement d'accessoires. De telles mesures de sécurité préventives réduisent le risque de démarrage accidentel de l'outil.

### Commande de variation de la vitesse Interrupteur à gâchette

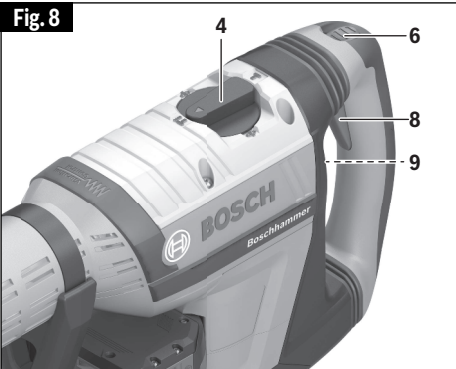
**⚠ AVERTISSEMENT** Pour réduire le risque de blessure, arrêtez immédiatement d'utiliser l'outil si la commande de variation de la vitesse cesse de fonctionner. Une perte ultérieure de contrôle sur l'activation/la désactivation de l'interrupteur à gâchette est vraisemblable.

Votre outil est muni d'un interrupteur à gâchette pour la commande de variation de la vitesse **8**. L'outil peut être activé (ON) ou désactivé (OFF) en comprimant ou relâchant l'interrupteur à gâchette. La vitesse peut être ajustée de la valeur minimum à la valeur maximum figurant sur la plaque signalétique en fonction de la pression que vous exercez sur la gâchette. Exercez plus de pression pour accroître la vitesse ou moins de pression pour réduire la vitesse (Fig. 8).

### Bouton de verrouillage en position activée / désactivée

Le bouton de verrouillage en position activée / désactivée **6** (Fig. 8) a deux fonctions :

- Fonction de verrouillage en position activée pour permettre à l'outil de continuer à fonctionner sans qu'il soit nécessaire de maintenir la gâchette **8** enfoncée constamment. Cette fonction ne peut être utilisée que quand le cadran de sélection de mode **4** est dans le mode « Martelage » (voir le chapitre « Cadran de sélection de mode »).



- Bouton de verrouillage en position désactivée pour empêcher toute activation accidentelle de la gâchette **8**. Lorsque le bouton est dans la position abaissée, la gâchette est désactivée. Avant de mettre l'outil en marche, appuyez sur le bouton **6** puis relâchez-le pour le remettre dans la position du haut (déverrouillée).

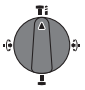
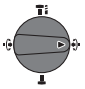
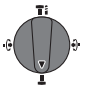
**⚠ MISE EN GARDE** L'enfoncement du bouton de verrouillage en position activée / désactivée pendant que l'outil est en marche dans un mode quelconque autre que le « martelage » arrêtera l'outil et le verrouillera dans la position d'arrêt (« OFF »). Par ailleurs, le passage d'un mode à un autre pendant que l'outil est dans le mode de verrouillage en position activée arrêtera l'outil et le verrouillera dans la position d'arrêt (« OFF »).

Pour reprendre l'opération de martelage, appuyez sur le bouton de verrouillage en position désactivée **6** et relâchez-le.

## Consignes de fonctionnement

### Cadran de sélection de mode

Le cadran de sélection de mode **4** permet de régler l'outil en fonction de diverses applications, conformément aux indications du tableau suivant:

	<b>Perçage</b> : utilisé pour percer le béton en mode de marteau perforateur
	<b>Vario-lock</b> permet de fixer le burin en l'une de 12 positions de 12 façons
	<b>Martelage</b> : servant au ciselage et à la démolition

**⚠ MISE EN GARDE** Ne vous servez pas du cadran de sélection avant l'arrêt complet de l'outil. Un changement de mode intervenant pendant que le mandrin tourne risquerait d'endommager l'outil.

Lorsque vous utilisez des embouts de démolition ou de ciselage tels que des pics, des burins, des bêches, des ciseaux, etc., le mode « Martelage » doit être sélectionné.

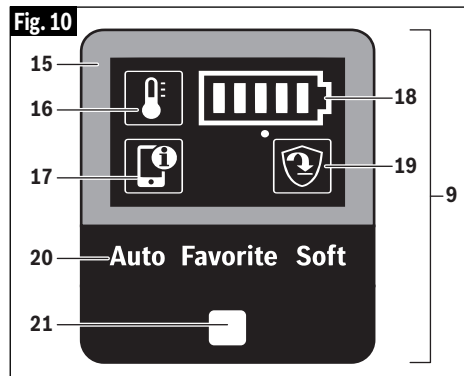
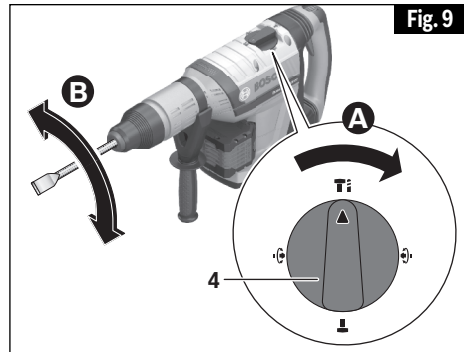
### « Vario-Lock »

La position Vario-Lock est conçue pour emploi avec des embouts de ciselage tels que des pointes à tête hémisphérique, des forets plats, des embouts cannelés, etc. Choisissez la position qui est la plus appropriée pour votre activité.

Faites tourner le cadran de réglage du mode pour le mettre dans la position «vario-lock ». Puis faites tourner le manchon de verrouillage avec l'accessoire pour le mettre dans la position désirée. Ensuite, faites tourner le cadran de réglage du mode dans la position « Martelage » et faites tourner légèrement le manchon de verrouillage pour qu'il se verrouille automatiquement dans une position définie (Fig. 9).

### Interface utilisateur (Fig. 10)

L'interface utilisateur **9** est utilisée pour



sélectionner le mode de travail à employer et pour indiquer l'état de fonctionnement et de charge de l'outil électrique et de la pile.

### INDICATEUR DE CHARGE DE LA PILE

Lorsque l'indicateur de charge de la pile **18** brille de façon continue en vert, cela signifie que la pile est chargée, et le nombre de barres montre le pourcentage de charge.

S'il brille de façon continue en jaune et s'il n'y a qu'une seule barre, cela signifie que la pile doit être chargée ou remplacée très bientôt.

S'il brille de façon continue en rouge et s'il n'y a qu'une seule barre, cela signifie que la pile est complètement déchargée.

### INDICATEUR DE TEMPÉRATURE

Si l'indicateur de température **16** brille de façon continue en jaune, cela signifie que la température critique du moteur, de l'électronique ou de la pile a été atteinte. Faites fonctionner l'outil

## Consignes de fonctionnement

électrique à vide et laissez-le refroidir.

Si l'indicateur de température brille de façon continue en rouge, cela signifie que l'outil électrique est en état de surchauffe et qu'il s'éteindra. Attendez que l'outil électrique ait suffisamment refroidi.

### INDICATEUR DE NOTIFICATION DU TELEPHONE INTELLIGENT

L'indicateur de notification du téléphone intelligent **17** brillant de façon continue en **vert** montre que des informations non critiques sont disponibles dans l'application « Bosch Toolbox » et il est suggéré que l'utilisateur les lise.

L'indicateur de notification du téléphone intelligent **17** brillant de façon continue en **jaune** montre que des informations importantes sont disponibles (p. ex., avertissement relatif à la température).

L'indicateur de notification du téléphone intelligent **17** brillant de façon continue en **rouge** montre que des informations critiques sont disponibles. Il est recommandé que l'utilisateur lise le message immédiatement.

Référez-vous au chapitre consacré à l'utilisation de l'application « Bosch Toolbox » pour de plus amples informations.

### CADRE INDICATEUR DE L'ETAT DE FONCTIONNEMENT DE L'OUTIL ELECTRIQUE

L'éclairage continu en vert du cadre indicateur de l'état de fonctionnement de l'outil électrique **15** indique que tout fonctionne comme il se doit.

Un **éclairage en jaune** indique que :

- La température critique a été atteinte (l'indicateur de température **16** brille également en jaune) ou
- La pile est presque complètement déchargée (l'indicateur de charge de la pile **18** brille également en jaune).

Un **éclairage continu en rouge** indique que :

- L'outil électrique est en état de surchauffe (l'indicateur de température **16** brille en rouge) ou
- La pile est déchargée (l'indicateur de charge de la pile **18** brille également en rouge).

- Une tentative a été faite d'appuyer sur le bouton de verrouillage en position activée **6** pendant que l'outil était en train de fonctionner dans un mode autre que celui du « Martelage » (Voir le chapitre «Bouton de verrouillage en position activée / désactivée »).

Un éclairage **clignotant en rouge** indique que :

- Le contrôle des chocs en retour est déclenché (l'indicateur de contrôle des chocs en retour **19** clignote également) ou

Un **éclairage clignotant en bleu** indique que l'outil électrique est connecté à un dispositif mobile ou que les paramètres sont en train d'être transférés. Pour accepter le changement de paramètres depuis le dispositif mobile, appuyez sur le bouton de mode de travail présélectionné **21**.

### MODES DE TRAVAIL PRESELECTIONNE

Le bouton de mode de travail présélectionné **21** vous permet de changer de mode de travail :

Dans le mode de travail présélectionné **Auto**, l'outil électrique atteint sa performance maximum.

- Pour le mode de fonctionnement « Perçage » : augmentation rapide de la vitesse pour permettre un perçage contrôlé jusqu'à la vitesse de rotation maximum. Le contrôle des chocs en retour est activé.
- Pour le mode de fonctionnement « Martelage » : Accélération rapide jusqu'à la vitesse maximum après le début du ciselage.

Le mode de travail présélectionné **Soft** (en douceur) est utilisé pour travailler avec des matériaux délicats.

- Pour le mode de fonctionnement « Perçage » : augmentation lente de la vitesse pour permettre un perçage contrôlé. Le contrôle des chocs en retour est activé.
- Pour le mode de fonctionnement « Martelage » : Un démarrage en douceur est activé pour permettre un contrôle et un positionnement précis avec le variateur de vitesse dans la gâchette.

Dans le mode de travail présélectionné **Favorite** (favori), l'outil électrique peut être personnalisé en utilisant



## Consignes de fonctionnement

l'application « Bosch Toolbox ».

- Pour le mode de fonctionnement « Perçage » : La sensibilité du dispositif de contrôle des chocs en retour peut être configurée.
- Pour le mode de fonctionnement « Martelage » : le démarrage en douceur peut être activé ou désactivé.

Référez-vous au chapitre consacré à l'utilisation de l'application « Bosch Toolbox » pour de plus amples informations.

### Contrôle adaptatif de la vitesse



Dans le mode de fonctionnement « Martelage », l'outil électrique se met en marche au ralenti pour permettre un meilleur contrôle et un positionnement plus précis. Quand une force est appliquée à l'ouvrage, la vitesse augmente rapidement.

### Embrayage de sécurité

L'outil est muni d'un embrayage de sécurité interne réglé en usine. La broche de sortie cessera de tourner si l'accessoire se coince et cause une surcharge pour l'outil.

### Réduction des vibrations



La fonction intégrée de réduction des vibrations réduit les vibrations produites par l'outil.

N'utilisez pas l'outil électrique si le réducteur de vibrations **5** est endommagé (Fig. 1).

### Contrôle des risques de rebond



La fonctionnalité de fermeture rapide permet un meilleur contrôle et améliore le confort de l'utilisateur. L'outil électrique s'éteint automatiquement en cas de rotation soudaine et inattendue de l'outil autour de l'axe de perçage (par exemple, si la mèche se coince dans de l'acier renforcé ou se bloque dans un coin). Pour remettre l'outil électrique en marche, relâchez l'interrupteur à gâchette et actionnez-le à nouveau.

La fonction de contrôle des risques de rebond ne peut s'activer que lorsque l'outil électrique fonctionne à la vitesse maximum et quand il peut tourner librement autour de l'axe du foret de perçage.

### Conseil relatifs à l'utilisation de l'outil

Pour de meilleurs résultats dans le béton, exercez une pression uniforme sans excès de force. Autrement, l'outil ne donnera pas le rendement prévu.

Tous les marteaux ont besoin d'un court temps de préchauffe. Selon la température de la pièce, le temps peut varier de 15 secondes (32°C / 90°F) à 2 minutes (0°C / 32°F). Un marteau neuf n'atteindra sa pleine performance qu'après avoir fait l'objet de rodage approprié, à savoir jusqu'à 5 heures de fonctionnement.

Un marteau rotatif est probablement l'outil portatif le plus dispendieux en chantier. La robustesse et l'efficacité des marteaux Bosch feront plus que justifier le coût des outils de ce genre. Tel qu'il a été signalé antérieurement, l'entretien des accessoires et la propreté des prises d'air influent directement sur le rendement de l'outil. Adoptez un programme d'entretien que vous suivrez régulièrement.

## Connectivité

### UTILISATION DE L'APPLI « BOSCH TOOLBOX »

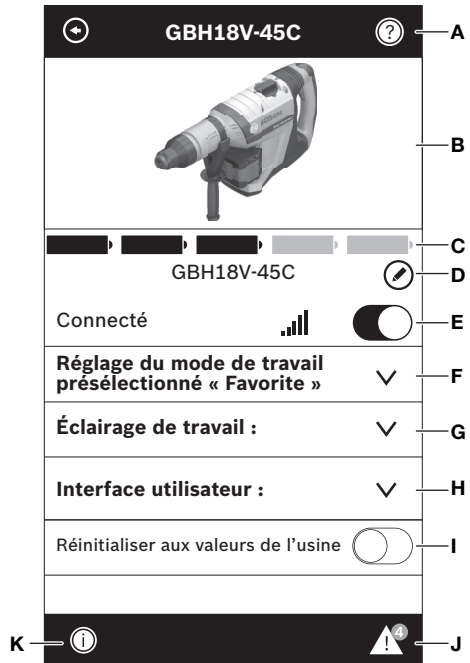
Installez l'application « Bosch Toolbox » sur votre dispositif mobile ou assurez-vous que vous utilisez bien la version la plus récente de l'application.

Lancez l'application « Bosch ToolBox » sur votre dispositif mobile et cliquez sur l'icône/la tuile « My Tools ». Suivez les instructions de l'application pour apparier l'outil avec le dispositif mobile.

Après avoir apparié votre outil avec un dispositif mobile, vous pouvez ajuster certaines fonctions ou vérifier le statut de l'outil électrique en utilisant l'appli Bosch Toolbox.

Chaque fois que vous changez un paramètre, l'outil confirme les changements en faisant clignoter en bleu le cadre indicateur de l'état de fonctionnement de l'outil électrique **15** (Fig. 9).

- A. Bouton Help (Aide)** – appuyez sur ce bouton pour afficher l'écran d'aide.
- B. Photo Tool (Outil)** – appuyez sur la photo pour personnaliser la photographie de l'outil.
- C. Statut de charge des piles de l'outil électrique** – le nombre de « piles » vertes indique le niveau de charge estimé pour le bloc-piles.
- D. Surnom de l'outil électrique** – appuyez sur l'icône « crayon » pour personnaliser le surnom de l'outil. Vous pouvez faire la même chose lorsque vous changez la photo de l'outil.
- E. Barre de statut de connexion** – Ici vous pouvez voir la force de la connexion (signal) indiquée par des barres verticales. Vous pouvez utiliser l'interrupteur à bascule pour déconnecter l'outil de votre dispositif mobile.
- F. Réglage du mode de travail présélectionné « Favorite »** – Sélectionnez le mode de travail présélectionné « Favorite » dans l'interface utilisateur sur l'outil pour utiliser les paramètres configurés dans cette section. Le



mode de travail présélectionné « Favorite » offre des paramètres pour percer, ainsi que pour marteler.

- G. Éclairage de travail** – Modifiez les paramètres pour la DEL.
- H. Interface utilisateur** – Personnalisez l'interface de l'outil et les paramètres d'utilisation.
- I. Réinitialisation aux paramètres par défaut fixés en usine** – Remet l'outil dans ses paramètres d'origine.
- J. Alertes Tool (Outil)** – Appuyez sur « triangle d'alertes » pour afficher toutes les alertes reçues par l'outil.
- K. Bouton Info** – Affiche les informations et spécifications de l'outil.

## Extraction de la poussière

Pour parcourir la sélection des systèmes de collecte de la poussière et pour lire le mode d'emploi, consultez le document intitulé « Mode d'emploi / Consignes de sécurité » relatif aux «

Accessoires d'extraction de poussière pour marteaux ordinaires et marteaux perforateurs » accompagnant votre outil ou l'accessoire d'extraction de poussière.

## Entretien

**⚠ AVERTISSEMENT** Pour éviter les accidents, débranchez toujours le bloc-piles de l'outil avant toute opération de maintenance ou de nettoyage.

### Service

**⚠ AVERTISSEMENT** IL N'EXISTE À L'INTÉRIEUR AUCUNE PIÈCE SUSCEPTIBLE D'ÊTRE ENTRETENUE PAR L'UTILISATEUR. L'entretien préventif exécuté par des personnes non autorisés peut entraîner un positionnement erroné des composants et des fils internes, ce qui peut présenter de graves dangers. Nous recommandons de confier toute intervention d'entretien sur l'outil à un centre de service-usine Bosch ou à un centre de service après-vente Bosch agréé. TECHNICIENS CHARGÉS DE L'ENTRETIEN : Débranchez le bloc-piles de l'outil avant toute opération d'entretien.

### Piles

**Faire attention aux blocs-piles qui approchent la fin de leur vie.** Si vous remarquez une diminution dans les performances de votre outil ou une durée de fonctionnement réduite de manière significative entre charges, il est temps de remplacer le bloc-piles. S'il n'est pas remplacé, il se peut qu'il endommage le chargeur ou que l'outil fonctionne incorrectement.

### Graissage de l'outil

Votre outil Bosch a été graissé de manière appropriée et il est prêt à l'usage.

### Moteurs

Le moteur de votre outil a été conçu pour de nombreuses heures d'utilisation fiable. Afin de maintenir l'efficacité maximum du moteur, nous recommandons de le faire examiner tous les six mois par un Centre de service usine Bosch ou par un Centre de service après-vente agréé de Bosch.

### Nettoyage

**⚠ MISE EN GARDE** Certains agents de nettoyage et certains dissolvants abîment les pièces en plastique. Parmi ceux-ci se trouvent: l'essence, le tétrachlorure de carbone, les dissolvants de nettoyage chlorés, l'ammoniaque ainsi que les détergents domestiques qui en contiennent.

Les prises d'air et les leviers de commutation doivent être gardés propres et exempts de corps étrangers. Ne tentez pas de nettoyer en insérant des objets pointus à travers l'ouverture.





## Attachements et accessoires

**⚠ AVERTISSEMENT** N'utilisez que des attachements ou accessoires spécifiés dans ce mode d'emploi. L'utilisation d'autres accessoires ou attachements non spécifiés dans ce mode d'emploi pourrait être dangereuse.  
**Ranger les accessoires dans un environnement sec et tempéré pour éviter les risques de corrosion et de détérioration.**

Inclus	Vendu séparément
- Poignée auxiliaire 360°	- Module de connectivité

## Símbolos de seguridad

Las definiciones que aparecen a continuación describen el nivel de gravedad de cada palabra de señal de seguridad. Por favor, lea el manual y preste atención a estos símbolos.

	Éste es el símbolo de alerta de seguridad. Se utiliza para alertarle a usted de posibles peligros de lesiones corporales. Obedezca todos los mensajes de seguridad que sigan a este símbolo para evitar posibles lesiones o muerte.
	PELIGRO indica una situación peligrosa que, si no se evita, causará la muerte o lesiones graves.
	ADVERTENCIA indica una situación peligrosa que, si no se evita, podría causar la muerte o lesiones graves.
	PRECAUCIÓN indica una situación peligrosa que, si no se evita, podría causar lesiones leves o moderadas.

## Advertencias generales de seguridad para herramientas mecánicas

**ADVERTENCIA** Lea todas las advertencias de seguridad y todas las instrucciones. Si no se siguen las advertencias e instrucciones, el resultado podría ser sacudidas eléctricas, incendio y/o lesiones graves.

### GUARDE TODAS LAS ADVERTENCIAS E INSTRUCCIONES PARA REFERENCIA FUTURA

La expresión "herramienta mecánica" en las advertencias se refiere a su herramienta mecánica alimentada por la red eléctrica (herramienta alámbrica) o su herramienta mecánica alimentada por baterías (herramienta inalámbrica).

### 1. Seguridad del área de trabajo

- a. **Mantenga el área de trabajo limpia y bien iluminada.** Las áreas desordenadas u oscuras invitan a que se produzcan accidentes.
- b. **No utilice herramientas mecánicas en atmósferas explosivas, como por ejemplo en presencia de líquidos, gases o polvos inflamables.** Las herramientas mecánicas generan chispas que pueden incendiar el polvo o los vapores.
- c. **Mantenga alejados a los niños y a las personas que estén presentes mientras esté utilizando una herramienta mecánica.** Las distracciones pueden hacerle perder el control de la herramienta.

### 2. Seguridad eléctrica

- a. **Los enchufes de las herramientas mecánicas deben coincidir con el tomacorriente. No modifique nunca el enchufe de ningún modo. No use enchufes adaptadores con herramientas**

**mecánicas conectadas a tierra (puestas a tierra).** Los enchufes no modificados y los tomacorrientes coincidentes reducirán el riesgo de sacudidas eléctricas.

- b. **Evite el contacto del cuerpo con las superficies conectadas o puestas a tierra, tales como tuberías, radiadores, estufas y refrigeradores.** Hay un aumento del riesgo de sacudidas eléctricas si el cuerpo del operador se conecta o pone a tierra.
- c. **No exponga las herramientas mecánicas a la lluvia o a condiciones mojadas.** La entrada de agua en una herramienta mecánica aumentará el riesgo de que se produzcan sacudidas eléctricas.
- d. **No maltrate el cordón de energía. No use nunca el cordón para transportar la herramienta mecánica, tirar de ella o desenchufarla. Mantenga el cordón alejado del calor, el aceite, los bordes afilados o las piezas móviles.** Los cordones dañados o enganchados aumentan el riesgo de que se produzcan sacudidas eléctricas.
- e. **Cuando utilice una herramienta**

## Advertencias generales de seguridad para herramientas mecánicas

**mecánica en el exterior, use un cordón de extensión adecuado para uso a la intemperie.** La utilización de un cordón adecuado para uso a la intemperie reduce el riesgo de que se produzcan sacudidas eléctricas.

- f. Si es inevitable utilizar una herramienta mecánica en un lugar húmedo, utilice una fuente de energía protegida por un interruptor de circuito accionado por corriente de pérdida a tierra (GFCI).** El uso de un GFCI reduce el riesgo de sacudidas eléctricas.

**holgada ni alhajas holgadas. Mantenga el pelo, la ropa y los guantes alejados de las piezas móviles.** La ropa holgada, las alhajas holgadas o el pelo largo pueden quedar atrapados en las piezas móviles.

- g. Si se proporcionan dispositivos para la conexión de instalaciones de extracción y recolección de polvo, asegúrese de que dichas instalaciones estén conectadas y se usen correctamente.** El uso de dispositivos de recolección de polvo puede reducir los peligros relacionados con el polvo.

### 3. Seguridad personal

- a. Manténgase alerta, fíjese en lo que está haciendo y use el sentido común cuando esté utilizando una herramienta mecánica. No use una herramienta mecánica cuando esté cansado o bajo la influencia de drogas, alcohol o medicamentos.** Un momento de distracción mientras esté utilizando herramientas mecánicas podría causar lesiones corporales graves.
- b. Use equipo de protección personal. Use siempre protección de los ojos.** El equipo de protección, como por ejemplo una máscara antipolvo, calzado de seguridad antideslizante, casco o protección de oídos, utilizado para las condiciones apropiadas, reducirá las lesiones corporales.
- c. Evite el arranque accidental. Asegúrese de que el interruptor esté en la posición de apagado antes de conectar la herramienta a la fuente de energía y / o al paquete de batería, levantar la herramienta o transportarla.** Transportar herramientas mecánicas con un dedo en el interruptor o encender herramientas mecánicas que tengan el interruptor en la posición de encendido invita a que se produzcan accidentes.
- d. Quite todas las llaves de ajuste o de tuerca antes de encender la herramienta mecánica.** Una llave de tuerca o de ajuste que se deje colocada en una pieza giratoria de la herramienta mecánica podría causar lesiones corporales.
- e. No intente alcanzar demasiado lejos. Mantenga un apoyo de los pies y un equilibrio apropiados en todo momento.** Esto permite controlar mejor la herramienta mecánica en situaciones inesperadas.
- f. Vístase adecuadamente. No use ropa**

### 4. Uso y cuidado de las herramientas mecánicas

- a. No fuerce la herramienta mecánica. Use la herramienta mecánica correcta para la aplicación que desee realizar.** La herramienta mecánica correcta hará el trabajo mejor y con más seguridad a la capacidad nominal para la que fue diseñada.
- b. No use la herramienta mecánica si el interruptor no la enciende y apaga.** Toda herramienta mecánica que no se pueda controlar con el interruptor es peligrosa y debe ser reparada.
- c. Desconecte el enchufe de la fuente de energía y/o el paquete de batería de la herramienta mecánica antes de hacer cualquier ajuste, cambiar accesorios o almacenar herramientas mecánicas.** Dichas medidas preventivas de seguridad reducen el riesgo de arrancar accidentalmente la herramienta mecánica.
- d. Guarde las herramientas que no esté usando fuera del alcance de los niños y no deje que personas que no estén familiarizadas con la herramienta mecánica o con estas instrucciones utilicen la herramienta.** Las herramientas mecánicas son peligrosas en manos de usuarios que no hayan recibido capacitación.
- e. Mantenga las herramientas mecánicas. Compruebe si hay piezas móviles desalineadas o que se atorán, si hay piezas rotas y si existe cualquier otra situación que podría afectar el funcionamiento de la herramienta mecánica. Si la herramienta mecánica está dañada, haga que la reparen antes de usarla.** Muchos accidentes son causados por herramientas mecánicas mantenidas deficientemente.

## Advertencias generales de seguridad para herramientas mecánicas

- f. **Mantenga las herramientas de corte afiladas y limpias.** Es menos probable que las herramientas de corte mantenidas apropiadamente, con bordes de corte afilados, se atoren, y dichas herramientas son más fáciles de controlar.
- g. **Utilice la herramienta mecánica, los accesorios, las brocas de la herramienta, etc., de acuerdo con estas instrucciones, teniendo en cuenta las condiciones de trabajo y el trabajo que se vaya a realizar.** El uso de la herramienta mecánica para operaciones distintas a aquéllas para las que fue diseñada podría causar una situación peligrosa.
- c. **Cuando el paquete de batería no se esté usando, manténgalo alejado de otros objetos metálicos, tales como sujetapapeles, monedas, llaves, clavos, tornillos u otros objetos metálicos pequeños que pueden hacer una conexión de un terminal a otro.** Si se cortocircuitan los terminales de la batería uno con otro, se pueden causar quemaduras o un incendio.
- d. **En condiciones abusivas, es posible que se eyecte líquido de la batería. Evite el contacto. Si se produce un contacto accidental, enjuáguese con agua. Si el líquido entra en contacto con los ojos, obtenga además ayuda médica.** El líquido que salga eyectado de la batería puede causar irritación o quemaduras.

---

### 5. Uso y cuidado de las herramientas alimentadas por baterías

---

- a. **Recargue las baterías solamente con el cargador especificado por el fabricante.** Un cargador que es adecuado para un tipo de paquete de batería puede crear un riesgo de incendio cuando se utiliza con otro paquete de batería.
- b. **Utilice las herramientas mecánicas solamente con paquetes de batería designados específicamente.** El uso de cualquier otro paquete de batería puede crear un riesgo de lesiones e incendio.

---

### 6. Servicio de ajustes y reparaciones

---

- a. **Haga que su herramienta mecánica reciba servicio de un técnico de reparaciones calificado, utilizando únicamente piezas de repuesto idénticas.** Esto asegurará que se mantenga la seguridad de la herramienta mecánica.

## Normas de seguridad para martillos giratorios

- a. **Use protectores de oídos con los taladros de percusión.** La exposición al ruido puede causar pérdida de audición.
- b. **Utilice el mango o mangos auxiliares si se suministran con la herramienta.** La pérdida de control puede causar lesiones corporales.
- c. **Agarre la herramienta eléctrica por las superficies de agarre con aislamiento cuando realice una operación en la que el accesorio de corte pueda entrar en contacto con cables ocultos.** El accesorio de corte que entre en contacto con un cable que tenga corriente puede hacer que las partes metálicas de la herramienta eléctrica que estén al descubierto tengan corriente y podrían causar una descarga eléctrica al operador.
- d. **Use abrazaderas u otro modo práctico de sujetar y soportar la pieza de trabajo en una plataforma estable.** Si se sujeta la pieza de trabajo con la mano o contra el cuerpo, se crea una situación inestable que podría causar pérdida de control.
- e. **No taladre, rompa, ni haga trabajo de sujeción en paredes existentes ni en otras áreas ciegas donde pueda haber cables eléctricos.** Si esta situación es inevitable, desconecte todos los fusibles o cortacircuitos que alimentan este sitio de trabajo.
- f. **Utilice un detector de metales para determinar si hay tuberías de gas o de agua ocultas en el área de trabajo o llame a la compañía local de servicios públicos para obtener asistencia antes de comenzar la operación.** Golpear o cortar una tubería de gas producirá una explosión. La entrada de agua en un dispositivo eléctrico puede causar electrocución.
- g. **Utilice siempre el mango auxiliar para tener un control máximo sobre la reacción de par motor o retroceso. Nunca intente manejar esta herramienta con una mano.** El embrague deslizante se acopla si usted controla firmemente la herramienta durante una reacción de par motor o retroceso.
- h. **Use siempre gafas de seguridad o protección de los ojos cuando utilice esta herramienta. Use una máscara antipolvo o un respirador para aplicaciones que generan polvo.** Las gafas de seguridad o la protección de los ojos ayudarán a desviar los fragmentos del material que puedan salir despedidos hacia la cara y los ojos. El polvo generado o los gases liberados por los materiales que esté cortando (por ej., tuberías con aislamiento de asbesto, radón) pueden causar dificultades respiratorias.
- i. **Use guantes con almohadillado grueso y limite el tiempo de exposición tomando frecuentes períodos de descanso.** La vibración causada por la acción de percusión y taladrado puede ser perjudicial para las manos y los brazos.
- j. **Sitúese de modo que evite ser atrapado entre la herramienta o el mango lateral y las paredes o los postes.** Si la broca se atasca o se engancha en la pieza de trabajo, el par motor de reacción de la herramienta podría aplastarle la mano o la pierna.
- k. **No golpee la broca con un martillo de mano ni con un mazo para intentar soltar una broca atorada o enganchada.** Se podrían soltar fragmentos de metal de la broca y golpearle a usted o golpear a las personas que se encuentren presentes.
- l. **Nunca deje la herramienta en ningún lugar hasta que la broca o el accesorio se haya detenido por completo.**
- m. **No utilice brocas ni accesorios desafilados o dañados.** Las brocas o accesorios desafilados o dañados pueden atascarse frecuentemente en la pieza de trabajo, causando una reacción de par motor.
- n. **Al sacar la broca de la herramienta, evite el contacto con la piel y use guantes de protección adecuados al agarrar la broca o el accesorio.** Los accesorios pueden estar calientes después de un uso prolongado.
- o. **No tenga en marcha la herramienta mientras la lleva a su lado.** La broca taladradora que gira puede engancharse en la ropa y se pueden producir lesiones.



## Advertencias de seguridad adicionales

Un GFCI y los dispositivos de protección personal, como guantes de goma y calzado de goma de electricista, mejorarán más su seguridad personal.

**Mantenga los mangos secos, limpios y libres de aceite y grasa.** Las manos resbalosas no pueden controlar de modo seguro la herramienta mecánica.

**Desarrolle un programa de mantenimiento periódico de la herramienta. Cuando limpie una herramienta, tenga cuidado de no desmontar ninguna de sus partes, ya que los cables internos podrían reubicarse incorrectamente o pellizcarse, o los resortes de retorno de los protectores de seguridad podrían montarse incorrectamente.** Ciertos agentes de limpieza, tales como gasolina, tetracloruro de carbono, amoníaco, etc., podrían dañar las piezas de plástico.

**Asegúrese de que el interruptor esté en la posición de apagado antes de introducir el paquete de batería.** Si se introduce el paquete de batería en herramientas mecánicas que tengan el interruptor en la posición de encendido, se invita a que se produzcan accidentes.

**⚠ ADVERTENCIA** Cierta **polvo generado por el lijado, aserrado, amolado y taladrado mecánicos, y por otras actividades de construcción, contiene agentes químicos que se sabe que causan cáncer, defectos de nacimiento u otros daños sobre la reproducción. Algunos ejemplos de estos agentes químicos son:**

- Plomo de pinturas a base de plomo,
- Sílice cristalina de ladrillos y cemento y otros productos de mampostería, y
- Arsénico y cromo de madera tratada químicamente.

Su riesgo por causa de estas exposiciones varía, dependiendo de con cuánta frecuencia realice este tipo de trabajo. Para reducir su exposición a estos agentes químicos: trabaje en un área bien ventilada y trabaje con equipo de seguridad aprobado, como por ejemplo máscaras antipolvo que estén diseñadas especialmente para impedir mediante filtración el paso de partículas microscópicas.

## Licencias

Copyright (C) 2016–2019  
STMicroelectronics

Todos los derechos reservados.

La redistribución y el uso en formas tanto de fuente como binarias, con o sin modificación, están permitidos siempre y cuando se cumplan las siguientes condiciones:

- Las redistribuciones del código fuente deben retener el aviso de derechos de propiedad intelectual que antecede, esta lista de condiciones y el siguiente descargo de responsabilidades.
- Las redistribuciones en forma binaria deben reproducir el aviso de derechos de propiedad intelectual que antecede, esta lista de condiciones y el siguiente descargo de responsabilidades en la documentación y/u otros materiales suministrados con la distribución.
- Ni el nombre de los tenedores de los derechos de propiedad intelectual ni los nombres de sus contribuyentes se podrán utilizar para avalar o promover productos derivados de este software sin permiso previo por escrito específico.

ESTE SOFTWARE ES PROPORCIONADO

POR LOS TENEDORES DE LOS DERECHOS DE PROPIEDAD INTELECTUAL Y LOS CONTRIBUYENTES A LOS MISMOS "TAL COMO ESTÁ" Y SE DENIEGAN TODAS LAS GARANTÍAS EXPRESAS O IMPLÍCITAS, INCLUYENDO, PERO SIN LIMITARSE A LAS GARANTÍAS IMPLÍCITAS DE MERCANTIBILIDAD E IDONEIDAD PARA UN PROPÓSITO ESPECÍFICO. EL DUEÑO DE LOS DERECHOS DE PROPIEDAD INTELECTUAL O LOS CONTRIBUYENTES A LOS MISMOS NO SERÁN RESPONSABLES EN NINGÚN CASO POR DAÑOS DIRECTOS, INDIRECTOS, INCIDENTALES, ESPECIALES, EJEMPLARES O CONSECUTENTES (INCLUYENDO PERO SIN LIMITARSE A LA OBTENCIÓN DE BIENES O SERVICIOS SUSTITUTOS; LA PÉRDIDA DE USO, DATOS O UTILIDADES; O LA INTERRUPCIÓN DE LA ACTIVIDAD COMERCIAL), SEA CUAL SEA SU CAUSA Y SOBRE LA BASE DE CUALQUIER TEORÍA DE RESPONSABILIDAD, YA SEA EN CONTRATO, RESPONSABILIDAD ESTRICTA O AGRAVIO (INCLUYENDO NEGLIGENCIA O DE OTRO TIPO) QUE SURJA DE CUALQUIER MANERA DEL USO DE ESTE SOFTWARE, INCLUSO SI SE AVISA DE LA POSIBILIDAD DE DICHOS DAÑOS.

Copyright (C) 2009 - 2016 ARM LIMITED  
Todos los derechos reservados.

La redistribución y el uso en formas tanto de fuente como binarias, con o sin modificación, están permitidos siempre y cuando se cumplan las siguientes condiciones:




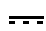
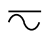


- Las redistribuciones del código fuente deben retener el aviso de derechos de propiedad intelectual que antecede, esta lista de condiciones y el siguiente descargo de responsabilidades.
- Las redistribuciones en forma binaria deben reproducir el aviso de derechos de propiedad intelectual que antecede, esta lista de condiciones y el siguiente descargo de responsabilidades en la documentación y/u otros materiales suministrados con la distribución.
- Ni el nombre de ARM ni los nombres de sus contribuyentes se podrán utilizar para avalar o promover productos derivados de este software sin permiso previo por escrito específico.

ESTE SOFTWARE ES PROPORCIONADO  
POR LOS TENEDORES DE LOS DERECHOS  
DE PROPIEDAD INTELECTUAL Y LOS

CONTRIBUYENTES A LOS MISMOS "TAL COMO ESTÁ" Y SE DENIEGAN TODAS LAS GARANTÍAS EXPRESAS O IMPLÍCITAS, INCLUYENDO, PERO SIN LIMITARSE A LAS GARANTÍAS IMPLÍCITAS DE MERCANTIBILIDAD E IDONEIDAD PARA UN PROPÓSITO ESPECÍFICO. EL DUEÑO DE LOS DERECHOS DE PROPIEDAD INTELECTUAL O LOS CONTRIBUYENTES A LOS MISMOS NO SERÁN RESPONSABLES EN NINGÚN CASO POR DAÑOS DIRECTOS, INDIRECTOS, INCIDENTALES, ESPECIALES, EJEMPLARES O CONSECUTENTES (INCLUYENDO PERO SIN LIMITARSE A LA OBTENCIÓN DE BIENES O SERVICIOS SUSTITUTOS; LA PÉRDIDA DE USO, DATOS O UTILIDADES; O LA INTERRUPCIÓN DE LA ACTIVIDAD COMERCIAL), SEA CUAL SEA SU CAUSA Y SOBRE LA BASE DE CUALQUIER TEORÍA DE RESPONSABILIDAD, YA SEA EN CONTRATO, RESPONSABILIDAD ESTRICTA O AGRAVIO (INCLUYENDO NEGLIGENCIA O DE OTRO TIPO) QUE SURJA DE CUALQUIER MANERA DEL USO DE ESTE SOFTWARE, INCLUSO SI SE AVISA DE LA POSIBILIDAD DE DICHOS DAÑOS.

## Símbolos

**Importante:** Es posible que algunos de los símbolos siguientes se usen en su herramienta. Por favor, estúdielos y aprenda su significado. La interpretación adecuada de estos símbolos le permitirá utilizar la herramienta mejor y con más seguridad.

Símbolo	Désignación/Explicación
V	Volt (tensión)
A	Ampere (corriente)
Hz	Hertz (frecuencia, ciclos por segundo)
W	Watt (potencia)
kg	Kilogramo (peso)
min	Minuto (tiempo)
s	Segundo (tiempo)
∅	Diámetro (tamaño de las brocas taladradoras, muelas, etc)
$n_0$	Velocidad sin carga (velocidad rotacional sin carga)
n	Velocidad nominal (máxima velocidad obtenible)
.../min	Revoluciones o alternación por minuto (revoluciones, golpes, velocidad de superficie, órbitas, etc., por minuto)
0	Posición "off" (velocidad cero, par motor cero...)
1, 2, 3, ... I, II, III,	Graduaciones del selector (graduaciones de velocidad, par motor o posición. Un número más alto significa mayor velocidad)
	Selector infinitamente variable con apagado (la velocidad aumenta desde la graduación de 0)
	Flecha (Acción en la dirección de la flecha)
	Corriente alterna (tipo o una característica de corriente)
	Corriente continua (tipo o una característica de corriente)
	Corriente alterna o continua (tipo o una característica de corriente)
	Construcción de clase II (designa las herramientas de construcción con aislamiento doble)
	Terminal de toma de tierra (terminal de conexión a tierra)

## Símbolos

**Importante:** Es posible que algunos de los símbolos siguientes se usen en su herramienta. Por favor, estúdielos y aprenda su significado. La interpretación adecuada de estos símbolos le permitirá utilizar la herramienta mejor y con más seguridad.

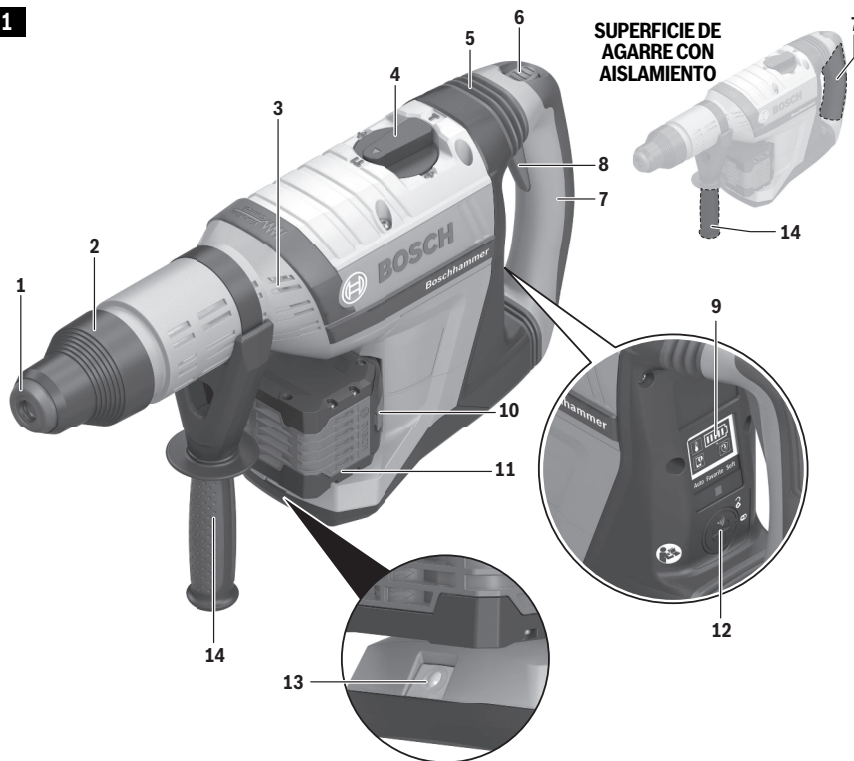
Símbolo	Désignación/ Explicación
	Alerta al usuario para que lea el manual.
	Alerta al usuario para que use protección de los ojos.
	Este símbolo indica que esta herramienta está catalogada por Underwriters Laboratories.
	Este símbolo indica que este componente está reconocido por Underwriters Laboratories.
	Este símbolo indica que Underwriters Laboratories ha catalogado esta herramienta indicando que cumple con las normas estadounidenses y canadienses.
	Este símbolo indica que esta herramienta está catalogada por la Canadian Standards Association.
	Este símbolo indica que la Canadian Standards Association ha catalogado esta herramienta indicando que cumple con las normas estadounidenses y canadienses.
	Este símbolo indica que Intertek Testing Services ha catalogado esta herramienta indicando que cumple con las normas estadounidenses y canadienses.
	Este símbolo indica que esta herramienta cumple con la norma mexicana oficial (NOM).
	Designa el programa de reciclaje de baterías de Li-ion.
	Designa el programa de reciclaje de baterías de Ni-Cd.

## Descripción funcional y especificaciones

**ADVERTENCIA** Desconecte el paquete de batería de la herramienta o ponga el interruptor en la posición de fijación en apagado antes de hacer cualquier ensamblaje o ajuste, o cambiar accesorios. Dichas medidas preventivas de seguridad reducen el riesgo de arrancar accidentalmente la herramienta.

### Martillo rotativo inalámbrico GBH18V-45C

Fig. 1



- |   |                                                        |    |                                                       |
|---|--------------------------------------------------------|----|-------------------------------------------------------|
| 1 | Escudo antipolvo                                       | 9  | Interfaz del usuario                                  |
| 2 | Manguito de fijación de accesorios                     | 10 | Botón de liberación del paquete de batería            |
| 3 | Aberturas de ventilación                               | 11 | Paquete de batería                                    |
| 4 | Dial selector de modo                                  | 12 | Compartimento del módulo de conectividad              |
| 5 | Amortiguador de la vibración                           | 13 | Luz de trabajo                                        |
| 6 | Botón de fijación en encendido / fijación en apagado   | 14 | Mango auxiliar (superficie de agarre con aislamiento) |
| 7 | Mango principal (superficie de agarre con aislamiento) |    |                                                       |
| 8 | Interruptor de encendido y apagado                     |    |                                                       |

## Descripción funcional y especificaciones

Modelo	GBH18V-45C
Tensión	18 V
Estilo de cuerpo	SDS-max®
<b>Temperatura ambiente permitida</b>	
- durante el proceso de carga	32...113 °F (0...+45 °C)
- durante la utilización y almacenamiento	-4...122 °F (-20...+50 °C)
<b>Máximo diámetro de taladrado</b>	
Brocas con punta de carburo	1-7/8 pulg. (45 mm)
Brocas sacanúcleos con punta de carburo	5 pulg. (127 mm)

### Módulo de conectividad (vendido por separado)

Sírvase consultar las instrucciones de utilización y seguridad incluidas con el módulo de conectividad.

### Paquetes de batería/Cargadores de baterías:

Sírvase consultar la lista de baterías/cargadores incluidas con su herramienta.

## Ensamblaje

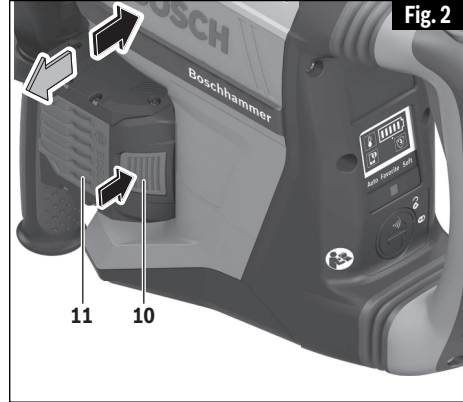
**⚠ ADVERTENCIA** Desconecte el paquete de batería de la herramienta o ponga el interruptor en la posición de fijación en apagado antes de hacer cualquier ensamblaje o ajuste, o cambiar accesorios. Dichas medidas preventivas de seguridad reducen el riesgo de arrancar accidentalmente la herramienta.

### Introducción y suelta del paquete de baterías

Deslice el paquete de batería **11** cargado hacia el interior de la carcasa hasta que dicho paquete quede fijo en la posición correcta (Fig. 2).

La herramienta está equipada con un pestillo de fijación secundario para impedir que el paquete de batería se caiga completamente del mango, en caso de que se afloje debido a la vibración.

Para retirar el paquete de batería, presione el botón de liberación del paquete de batería **10** y deslice el paquete de batería **11** completamente hacia fuera de la carcasa de la herramienta (Fig. 2).

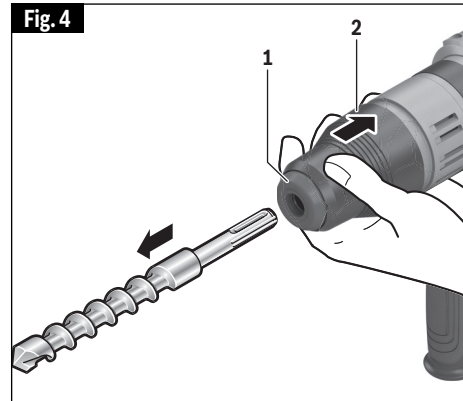
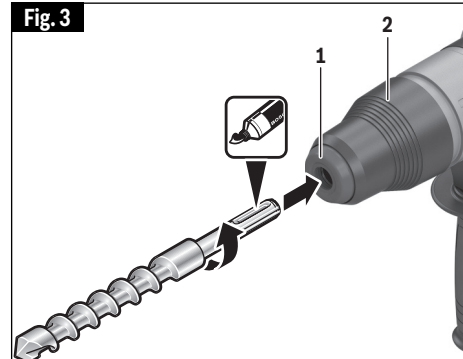


### Instalación de los accesorios SDS-max®

Limpie el extremo del vástago de inserción para retirar cualquier residuo y luego engráselo ligeramente con un aceite o lubricante ligero.

Introduzca el accesorio en el portaherramienta a través del protector antipolvo **1**, a la vez que gira y empuja hacia adentro el accesorio hasta que quede asentado en su sitio. Tire hacia afuera del accesorio para asegurarse de que esté fijo en el portaherramienta (Fig. 3).

**NOTA:** La alta eficiencia ofrecida por los martillos rotativos sólo se puede obtener si se utilizan accesorios afilados y sin daños. El "costo" de mantener los accesorios afilados y sin daños es sobrecompensado ampliamente por el "tiempo ahorrado" al utilizar la herramienta con accesorios afilados.



### Remoción de accesorios SDS-max®

**⚠ ADVERTENCIA** Puede que los accesorios estén calientes después de usarlos. Evite el contacto con la piel y use

guantes protectores adecuados o un paño para retirarlos.

## Ensamblaje

Para retirar un accesorio, jale hacia atrás el Manguito de fijación de accesorios **2** y jale la broca hacia delante. Todos los accesorios se deberán limpiar con un paño después de retirarlos (Fig. 4).

### Mango auxiliar

La herramienta se debe soportar con el mango auxiliar **14**, que se puede girar 360°.

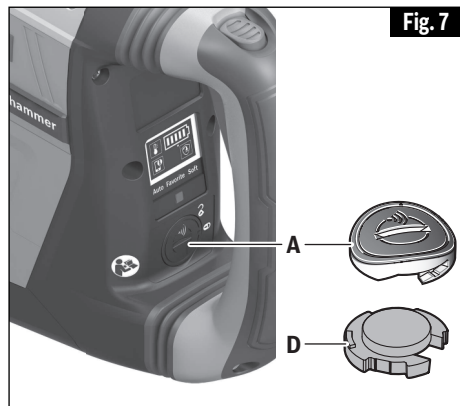
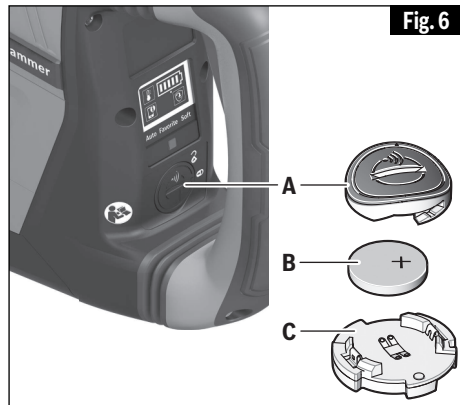
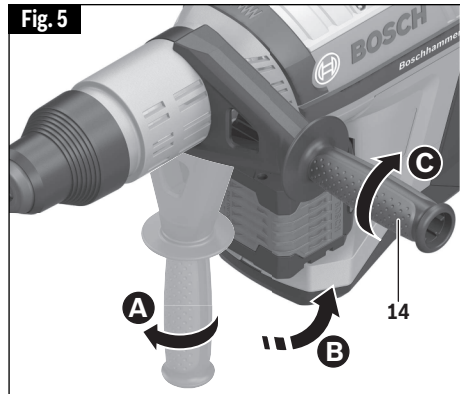
Para reposicionar y/o girar el mango **14**, afloje la empuñadura, mueva el mango hasta la posición deseada a lo largo del cilindro y reapriete firmemente la empuñadura (Fig. 5).

### Instalación del módulo de conectividad (vendido por separado)

**⚠ ADVERTENCIA** Para reducir el riesgo de lesiones, lea las instrucciones de utilización incluidas con el módulo de conectividad Bosch. Las instrucciones de utilización del módulo de conectividad incluyen información importante que no se cubre en este manual.

Si el módulo de conectividad no se compra con la herramienta, o si se hace necesario reemplazar el módulo o la batería, por favor, siga este procedimiento (vea la Fig. 6):

- Utilizando un destornillador plano o una moneda, retire la cubierta **A** del lado del mango, girándola 1/8 de vuelta en sentido contrario al de las agujas del reloj (Fig. 6 o 7).
- Si la herramienta ya está equipada con el módulo de conectividad, retire la batería **B**, pero no retire el módulo de conectividad **C**.
- Si el módulo de conectividad se instala por primera vez, retire el marcador de posición de plástico **D** del compartimiento del módulo de conectividad y coloque el módulo de conectividad **C** en el compartimiento, prestando atención a la orientación correcta (Fig. 7). **Nota:** Guarde el marcador



de posición **D** en un lugar seguro. Reinserte de nuevo el marcador de posición si se retira el módulo de comunicaciones.

- Seguidamente, coloque la batería



## Ensamblaje

nueva **B** en la parte de arriba del módulo de conectividad con la polaridad “+” orientada hacia arriba (Fig. 6).

- Coloque la cubierta **A** sobre la batería y gírela 1/8 de vuelta en el sentido de las agujas del reloj utilizando un destornillador plano o una moneda.

## Instrucciones de funcionamiento

**⚠ ADVERTENCIA** Desconecte el paquete de batería de la herramienta o ponga el interruptor en la posición de fijación en apagado antes de hacer cualquier ensamblaje o ajuste, o cambiar accesorios. Dichas medidas preventivas de seguridad reducen el riesgo de arrancar accidentalmente la herramienta.

### Interruptor gatillo de velocidad variable controlada

La herramienta está equipada con un interruptor gatillo de velocidad variable **8**. La herramienta se puede "ENCENDER" o "APAGAR" apretando o soltando el gatillo. La velocidad se puede ajustar desde las RPM mínimas hasta las RPM máximas indicadas en la placa de especificaciones por medio de la presión que se ejerza sobre el gatillo. Ejerza más presión para aumentar la velocidad y disminuya la presión para reducir la velocidad (Fig. 8).

**⚠ ADVERTENCIA** Para reducir el riesgo de lesiones, suspenda inmediatamente el uso de la herramienta si el control de velocidad variable deja de funcionar. Es probable que haya una pérdida subsiguiente de control de encendido y apagado con el gatillo.

### Botón de fijación en encendido / fijación en apagado

El botón de fijación en encendido / fijación en apagado **6** (Fig. 8) sirve dos propósitos:

- **Función de fijación en encendido** para mantener la herramienta en funcionamiento sin presionar constantemente el gatillo **8**. Esta función solo está activa cuando el dial selector de modo **4** está en el modo de "Martilleo" (consulte el capítulo "Dial selector de modo").
- **Función de fijación en apagado** para prevenir una activación accidental del



gatillo **8**. Cuando el botón esté en la posición hacia abajo, el gatillo estará desactivado. Antes de encender la herramienta, presione y suelte el botón **6** para que regrese a la posición hacia arriba (posición de desbloqueo).


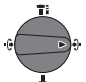

**⚠ PRECAUCIÓN** Al presionar el botón de fijación en encendido / fijación en apagado mientras la herramienta esté en funcionamiento en cualquier otro modo que no sea "Martilleo", la herramienta se apagará y se bloqueará en la posición de "APAGADO". Además, al cambiar los modos mientras se esté en el modo de fijación en encendido, la herramienta se apagará y se bloqueará en la posición de "APAGADO".

Para reanudar el funcionamiento del martillo, presione y suelte el botón de fijación en apagado **6**.

## Instrucciones de funcionamiento

### Dial selector de modo

El dial selector de modo **4** permite ajustar la herramienta para diversas aplicaciones, tal y como se indica en el siguiente cuadro:

	<b>Taladrado:</b> se utiliza para realizar taladrado de percusión en concreto
	<b>Fijación variable:</b> ajustar el cincel en una de 12 posiciones
	<b>Martilleo:</b> utilizado para trabajo de cincelado y de demolición

**⚠ PRECAUCIÓN** No utilice el dial de selección hasta que la herramienta se haya detenido por completo. La realización de cambios durante la rotación del mandril puede causar daños a la herramienta.

Cuando utilice brocas de demolición o cinceladoras, tales como puntas de bala, cinceles, brocas planas, gubias, etc., se debe seleccionar el modo de “Martilleo”.

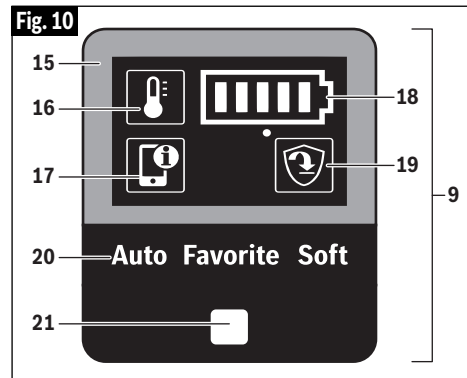
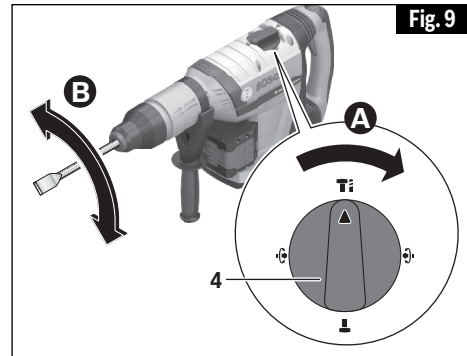
### “Vario-Lock”

La posición de fijación variable Vario-Lock está diseñada para utilizarse con brocas cinceladoras, tales como brocas de punta rompedora, brocas planas, gubias, etc. Escoja una posición que sea la más adecuada para la operación que vaya a realizar.

Gire el dial selector de modo **4** hasta la posición “vario-lock”. A continuación, rote el manguito de fijación, junto con el accesorio, hasta la posición deseada. Luego, gire el dial selector de modo hasta la posición de “Martilleo” y gire ligeramente el manguito de fijación para hacer que se bloquee automáticamente en una posición definitiva (Fig. 9).

### Interfaz del usuario (Fig. 10)

La interfaz del usuario **9** se utiliza para seleccionar el preajuste de trabajo y para indicar el estado de la herramienta



eléctrica y la batería.

### INDICADOR DE CARGA DE LA BATERIA

Cuando el indicador de carga de la batería **18** se encienda en verde, la batería estará cargada y el número de barras mostrará el nivel de porcentaje de la carga.

Si se enciende en amarillo y con solo una barra, indica que es necesario reemplazar o cargar pronto la batería.

Si se enciende en rojo y con solo una barra, significa que la carga de la batería se ha agotado.

### INDICADOR DE TEMPERATURA

Si el indicador de temperatura **16** se enciende en amarillo, se habrá alcanzado la temperatura crítica del motor, los componentes electrónicos o la batería. Tenga la herramienta en funcionamiento sin carga y deje que se enfríe.

Si el indicador de temperatura se enciende en rojo, la herramienta eléctrica está sobrecalentada y se

## Instrucciones de funcionamiento

apagará. Deje que la herramienta eléctrica se enfríe.

### INDICADOR DE ESTADO DEL TELEFONO INTELIGENTE

El indicador de estado del teléfono inteligente **17 verde** muestra que hay información no crítica disponible en la aplicación "Bosch Toolbox" para que el usuario la lea.

El indicador de estado del teléfono inteligente **17 amarillo** muestra que hay información importante disponible (p. ej., una advertencia de temperatura).

El indicador de estado del teléfono inteligente **17 rojo** muestra que hay información crítica disponible. Se recomienda que el usuario revise inmediatamente el mensaje.

Consulte el capítulo Utilización de la aplicación "Bosch Toolbox" para obtener más información.

### MARCO DE ESTADO DE LA HERRAMIENTA ELECTRICA

La luz verde del marco de estado de la herramienta eléctrica **15** indica que todo está funcionando tal y como está previsto.

La **luz amarilla** indica que:

- Se ha alcanzado la temperatura crítica (el indicador de temperatura **16** también se enciende en amarillo) o
- La batería está casi vacía (el indicador de carga de la batería **18** también se enciende en amarillo).

Una **luz roja continua** indica que:

- La herramienta eléctrica se ha sobrecalentado (el indicador de temperatura **16** se enciende en rojo) o
- La batería está agotada (el indicador de carga de la batería **18** también se enciende en rojo).
- Se ha hecho un intento de presionar el botón de fijación en encendido **6** mientras la herramienta estaba en funcionamiento en cualquier modo que no fuera "Martilleo" (consulte el capítulo "Botón de fijación en encendido / fijación en apagado").

Una **luz roja parpadeante** indica que:

- El control de retroceso se activa (el indicador del control de retroceso **19**

también parpadea) o

Una **luz azul parpadeante** indica que la herramienta eléctrica está conectada a un dispositivo móvil o que se están transfiriendo los ajustes. Para aceptar el cambio de ajustes desde el dispositivo móvil, presione el botón de preajustes de trabajo **21**.

### PREAJUSTES DE TRABAJO

El botón de preajustes de trabajo **21** le permite a usted cambiar entre preajustes de trabajo:

En el preajuste de trabajo **Auto**, la herramienta eléctrica alcanza el máximo rendimiento.

- Para el modo de funcionamiento de "Taladrado": Aumento rápido de la velocidad para realizar taladrado controlado hasta las RPM máximas. Se activa el control de retroceso.
- Para el modo de funcionamiento de "Martilleo": Aumento rápido de la velocidad hasta los GPM máximos cuando se comienza a cincelar.

El preajuste de trabajo **Soft** (Suave) se utiliza para trabajar con materiales delicados.

- Para el modo de funcionamiento de "Taladrado": Aumento lento de la velocidad para realizar taladrado controlado. Se activa el control de retroceso.
- Para el modo de funcionamiento de "Martilleo": El arranque suave está habilitado para ofrecer un control y un posicionamiento precisos con un control de velocidad variable en el gatillo.

En el preajuste de trabajo **Favorite** (Favorito), la herramienta eléctrica se puede personalizar por medio de la aplicación "Bosch Toolbox".

- Para el modo de funcionamiento de "Taladrado": La sensibilidad del control de retroceso se puede configurar.
- Para el modo de "Martilleo": El arranque suave se puede activar/desactivar.

Consulte el capítulo Utilización de la aplicación "Bosch Toolbox" para obtener más información.

## Instrucciones de funcionamiento

### Control de velocidad adaptativo



En el modo de funcionamiento de "Martilleo", la herramienta eléctrica arranca a una velocidad mínima baja para ofrecer un mejor control y un posicionamiento preciso. Cuando se aplique fuerza a la pieza de trabajo, la velocidad aumentará rápidamente.

rotar libremente alrededor del eje de la broca taladradora.

### Consejos para la herramienta

Para lograr las mejores velocidades de penetración en hormigón, haga funcionar la herramienta ejerciendo sobre ella una presión uniforme, pero no utilice demasiada fuerza, ya que esto reducirá la eficiencia de la herramienta.

Todos los martillos requieren un corto período de tiempo para calentarse. Según la temperatura ambiente, este período podrá variar desde aproximadamente 15 segundos (32°C / 90°F) hasta 2 minutos (0°C / 32°F). Un martillo nuevo requiere un período de rodaje antes de poder funcionar a pleno rendimiento. Puede que este período requiera hasta 5 horas de funcionamiento.

Es probable que un martillo giratorio sea la herramienta portátil más cara de una obra en construcción. La gran resistencia al desgaste y el funcionamiento eficiente de los martillos BOSCH justificarán sobradamente el costo de las herramientas de este tipo. Tal como se ha indicado anteriormente, es necesario que los accesorios estén afilados y que las aberturas de ventilación estén limpias para que la herramienta funcione con eficacia. Establezca y siga un programa fijo de mantenimiento.

### Embrague deslizante

La herramienta tiene un embrague deslizante preajustado interno. El husillo de salida dejará de rotar si el accesorio se atora y sobrecarga la herramienta.

### Amortiguación de la vibración



La función de amortiguación de la vibración integrada reduce la vibración generada.

No utilice la herramienta eléctrica si el amortiguador de la vibración **5** está dañado (Fig. 1).

### Control antirretroceso



La función de apagado rápido permite un mejor control y mejora la comodidad del usuario. La herramienta eléctrica se apaga automáticamente en el caso de que rote repentina e inesperadamente alrededor del eje de taladrado (por ejemplo, atoramiento de la broca taladradora en acero de refuerzo o agarrotamiento de la herramienta de aplicación). Para arrancar la herramienta eléctrica, suelte el interruptor gatillo y luego acciónelo de nuevo.

El control antirretroceso se puede activar solamente cuando la herramienta eléctrica está operando a la máxima velocidad de funcionamiento y puede

## Conectividad

### Utilización de la aplicación “Bosch Toolbox”

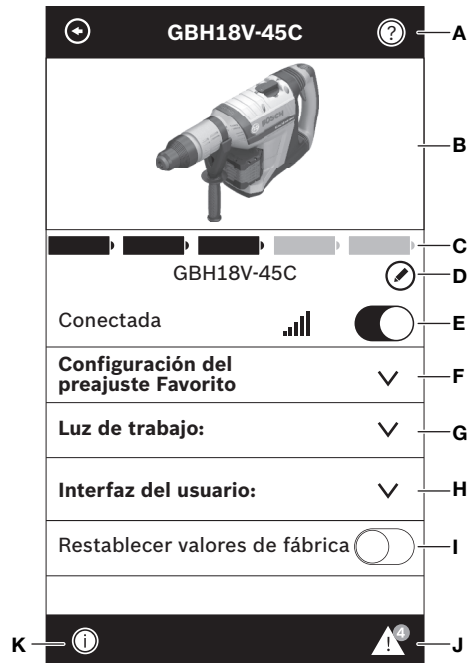
Instale la aplicación “Bosch Toolbox” en su dispositivo móvil o asegúrese de que está utilizando la última versión de la aplicación.

Lance la aplicación “Bosch ToolBox” en su dispositivo móvil y haga clic en el ícono/mosaico “My Tools” (Mis herramientas). Siga las instrucciones de la aplicación para emparejar la herramienta con el dispositivo móvil.

Después de aparear su herramienta con un dispositivo móvil, puede ajustar ciertas funciones o comprobar el estado de la herramienta eléctrica utilizando la aplicación Bosch Toolbox.

Cada vez que cambie cualquier ajuste, la herramienta confirmará los cambios haciendo parpadear la luz azul del marco de estado de la herramienta eléctrica **15** (Fig. 9).

- A. Botón de ayuda:** Al presionar suavemente este botón aparecerá la pantalla de ayuda.
- B. Foto de la herramienta:** Al presionar suavemente en la foto usted podrá personalizar la fotografía de la herramienta.
- C. Estado de carga de la batería de la herramienta eléctrica:** El número de “baterías” verdes indica el nivel de carga estimado del paquete de batería.
- D. Apodo de la herramienta eléctrica:** Al golpear suavemente en el ícono de “lápiz” se le permitirá personalizar el apodo de la herramienta. También podrá hacerlo cuando cambie la foto de la herramienta.
- E. Barra de estado de conexión:** Aquí usted puede ver la fuerza de (la señal de) conexión indicada por barras verticales. Puede usar el interruptor basculante para desconectar la herramienta de su dispositivo móvil.
- F. Configuración del preajuste Favorite (Favorite):** Seleccione el preajuste Favorite en la interfaz del usuario de la herramienta para



utilizar los ajustes configurados en esta sección. El preajuste Favorite ofrece ajustes para taladrar, así como para martillar.

- G. Luz de trabajo:** Modifique los ajustes de la luz LED.
- H. Interfaz del usuario:** Personalice la interfaz del usuario y la configuración de uso.
- I. Restablecer valores de fábrica:** Devuelve la herramienta a su configuración original.
- J. Alertas de la herramienta:** Al presionar suavemente el “triángulo de alertas” se mostrará cualquier alerta recibida de la herramienta.
- K. Botón de información:** Muestra la información y las especificaciones de la herramienta.

## Extracción de polvo

Para obtener una selección de sistemas de recolección de polvo e instrucciones de utilización, consulte las Instrucciones de utilización / seguridad para

“Aditamentos de extracción de polvo para martillos y taladros de percusión” incluidas con su herramienta o con el aditamento de extracción de polvo.

## Mantenimiento

**⚠ ADVERTENCIA** Para evitar accidentes, desconecte siempre el paquete de batería de la herramienta antes de realizar servicio de ajustes y reparaciones o limpieza.

### Servicio

**⚠ ADVERTENCIA** NO HAY PIEZAS EN EL INTERIOR QUE PUEDAN SER AJUSTADAS O REPARADAS POR EL USUARIO. El mantenimiento preventivo realizado por personal no autorizado puede dar lugar a la colocación incorrecta de cables y componentes internos que podría constituir un peligro serio. Recomendamos que todo el servicio de las herramientas sea realizado en un Centro de servicio de fábrica Bosch o en una Estación de servicio Bosch autorizada. TÉCNICOS DE SERVICIO: Desconecten el paquete de batería de la herramienta antes de hacer servicio de ajustes y reparaciones.

### Baterías

Esté alerta a los paquetes de baterías que estén aproximándose al final de su vida útil. Si observa una disminución del rendimiento de la herramienta o un tiempo de funcionamiento significativamente más corto entre cargas, entonces ha llegado el momento de cambiar el paquete de baterías. Si no se hace esto, el resultado puede ser que la herramienta funcione incorrectamente o que el cargador se dañe.

### Lubricación de las herramientas

Su herramienta Bosch ha sido lubricada adecuadamente y está lista para la utilización.

### Motores

El motor de la herramienta ha sido diseñado para muchas horas de servicio fiable. Para mantener la eficiencia máxima del motor, recomendamos que este sea examinado cada seis meses por un Centro de Servicio de Fábrica Bosch o una Estación de Servicio Bosch Autorizada.

### Limpieza

**⚠ PRECAUCION** Ciertos agentes de limpieza y disolventes dañan las piezas de plástico. Algunos de estos son: gasolina, tetracloruro de carbono, disolventes de limpieza clorados, amoníaco y detergentes domésticos que contienen amoníaco.

Las aberturas de ventilación y las palancas de interruptor deben mantenerse limpias y libres de materias extrañas. No intente limpiar introduciendo objetos puntiagudos a través de las aberturas.

## Aditamentos y accesorios

**⚠ ADVERTENCIA** Utilice únicamente aditamentos o accesorios especificados en este manual de instrucciones. Es posible que el uso de cualquier otro aditamento o accesorio no especificado en este manual cree un peligro.

Almacene los accesorios en un ambiente seco y templado para evitar la corrosión y el deterioro.

Se incluye(n)	Se vende(n) por separado
- Mango auxiliar de 360°	- Módulo de conectividad

**LIMITED WARRANTY OF BOSCH PORTABLE AND BENCHTOP POWER TOOLS**

Robert Bosch Tool Corporation ("Seller") warrants to the original purchaser only, that all BOSCH portable and benchtop power tools will be free from defects in material or workmanship for a period of one year from date of purchase. SELLER'S SOLE OBLIGATION AND YOUR EXCLUSIVE REMEDY under this Limited Warranty and, to the extent permitted by law, any warranty or condition implied by law, shall be the repair or replacement of parts, without charge, which are defective in material or workmanship and which have not been misused, carelessly handled, or misrepaired by persons other than Seller or Authorized Service Station. To make a claim under this Limited Warranty, you must return the complete portable or benchtop power tool product, transportation prepaid, to any BOSCH Factory Service Center or Authorized Service Station. For Authorized BOSCH Power Tool Service Stations, please refer to your phone directory.

THIS LIMITED WARRANTY DOES NOT APPLY TO ACCESSORY ITEMS SUCH AS CIRCULAR SAW BLADES, DRILL BITS, ROUTER BITS, JIGSAW BLADES, SANDING BELTS, GRINDING WHEELS AND OTHER RELATED ITEMS.

ANY IMPLIED WARRANTIES SHALL BE LIMITED IN DURATION TO ONE YEAR FROM DATE OF PURCHASE. SOME STATES IN THE U.S., SOME CANADIAN PROVINCES DO NOT ALLOW LIMITATIONS ON HOW LONG AN IMPLIED WARRANTY LASTS, SO THE ABOVE LIMITATION MAY NOT APPLY TO YOU.

IN NO EVENT SHALL SELLER BE LIABLE FOR ANY INCIDENTAL OR CONSEQUENTIAL DAMAGES (INCLUDING BUT NOT LIMITED TO LIABILITY FOR LOSS OF PROFITS) ARISING FROM THE SALE OR USE OF THIS PRODUCT. SOME STATES IN THE U.S. AND SOME CANADIAN PROVINCES DO NOT ALLOW THE EXCLUSION OR LIMITATION OF INCIDENTAL OR CONSEQUENTIAL DAMAGES, SO THE ABOVE LIMITATION OR EXCLUSION MAY NOT APPLY TO YOU.

THIS LIMITED WARRANTY GIVES YOU SPECIFIC LEGAL RIGHTS, AND YOU MAY ALSO HAVE OTHER RIGHTS WHICH VARY FROM STATE TO STATE IN THE U.S., PROVINCE TO PROVINCE IN CANADA AND FROM COUNTRY TO COUNTRY.

THIS LIMITED WARRANTY APPLIES ONLY TO PORTABLE AND BENCHTOP ELECTRIC TOOLS SOLD WITHIN THE UNITED STATES OF AMERICA, CANADA AND THE COMMONWEALTH OF PUERTO RICO. FOR WARRANTY COVERAGE WITHIN OTHER COUNTRIES, CONTACT YOUR LOCAL BOSCH DEALER OR IMPORTER.

**GARANTIE LIMITÉE DES OUTILS ÉLECTRIQUES PORTATIFS ET D'ÉTABLI BOSCH**

Robert Bosch Tool Corporation (le « vendeur ») garantit à l'acheteur initial seulement que tous les outils électriques portatifs et d'établi BOSCH seront exempts de vices de matériaux ou d'exécution pendant une période d'un an depuis la date d'achat. LA SEULE OBLIGATION DU VENDEUR ET LE SEUL RECOURS DE L'ACHETEUR sous la présente garantie limitée, et en autant que la loi le permette sous toute garantie ou condition implicite qui en découlerait, sera l'obligation de remplacer ou réparer gratuitement les pièces défectueuses matériellement ou comme fabrication, pourvu que lesdites défectuosités ne soient pas attribuables à un usage abusif ou à quelque réparation bricolée par quelqu'un d'autre que le vendeur ou le personnel d'une station-service agréée. Pour présenter une réclamation en vertu de cette garantie limitée, vous devez renvoyer l'outil électrique portatif ou d'établi complet, port payé, à tout centre de service agréé ou centre de service usine. Veuillez consulter votre annuaire téléphonique pour les adresses.

LA PRÉSENTE GARANTIE NE S'APPLIQUE PAS AUX ACCESSOIRES TELS QUE LAMES DE SCIÉS CIRCULAIRES, MÊCHES DE PERCEUSES, FERS DE TOUPIES, LAMES DE SCIÉS SAUTEUSES, COURROIES DE PONÇAGE, MEULES ET AUTRES ARTICLES DU GENRE.

TOUTE GARANTIE IMPLICITE SERA LIMITÉE COMME DURÉE À UN AN À COMPTER DE LA DATE D'ACHAT. CERTAINS ÉTATS AMÉRICAINS, CERTAINES PROVINCES CANADIENNES N'ADMETTANT PAS LE PRINCIPE DE LA LIMITATION DE LA DURÉE DES GARANTIES IMPLICITES, IL EST POSSIBLE QUE LES LIMITATIONS CI-DESSUS NE S'APPLIQUENT PAS À VOTRE CAS.

EN AUCUN CAS LE VENDEUR NE SAURAIT ÊTRE TENU POUR RESPONSABLE DES INCIDENTS OU DOMMAGES INDIRECTS (INCLUANT, MAIS NE SE LIMITANT PAS AUX PERTES DE PROFITS) CONSÉQUENTS À LA VENTE OU L'USAGE DE CE PRODUIT. CERTAINS ÉTATS AMÉRICAINS ET CERTAINES PROVINCES CANADIENNES N'ADMETTANT PAS LE PRINCIPE DE LA LIMITATION NI L'EXCLUSION DES DOMMAGES INDIRECTS ET CONSÉQUENTIELS, IL EST POSSIBLE QUE LES LIMITATIONS OU EXCLUSIONS CI-DESSUS NE S'APPLIQUENT PAS À VOTRE CAS.

LA PRÉSENTE GARANTIE VOUS ACCORDE DES DROITS BIEN DÉTERMINÉS, Y COMPRIS POSSIBLEMENT CERTAINS DROITS VARIABLES DANS LES DIFFÉRENTS ÉTATS AMÉRICAINS, PROVINCES CANADIENNES ET DE PAYS À PAYS.

CETTE GARANTIE LIMITÉE NE S'APPLIQUE QU'ÀUX OUTILS ÉLECTRIQUES PORTATIFS ET D'ÉTABLI VENDUS AUX ÉTATS-UNIS D'AMÉRIQUE, AU CANADA ET AU COMMONWEALTH DE PORTO RICO. POUR COUVERTURE DE GARANTIE DANS LES AUTRES PAYS, CONTACTEZ VOTRE IMPORTATEUR OU REVENDEUR BOSCH LOCAL.

**GARANTIA LIMITADA PARA HERRAMIENTAS MECANICAS PORTATILES Y PARA TABLERO DE BANCO BOSCH**

Robert Bosch Tool Corporation ("el Vendedor") garantiza, únicamente al comprador original, que todas las herramientas mecánicas portátiles y para tablero de banco BOSCH estarán libres de defectos de material o de fabricación durante un periodo de un año a partir de la fecha de compra. LA ÚNICA OBLIGACION DEL VENDEADOR Y EL RECURSO EXCLUSIVO QUE USTED TIENE bajo esta Garantía Limitada y, hasta donde la ley lo permita, bajo cualquier garantía o condición implícita por ley, consistirá en la reparación o sustitución sin costo de las piezas que presenten defectos de material o de fabricación y que no hayan sido utilizadas incorrectamente, manejadas descuidadamente o reparadas incorrectamente por personas que no sean el Vendedor o una Estación de servicio autorizada. Para efectuar una reclamación bajo esta Garantía Limitada, usted debe devolver el producto, que consiste en la herramienta mecánica portátil o para tablero de banco completa, con el transporte pagado, a cualquier Centro de servicio de fábrica o Estación de servicio autorizada. Para Estaciones de servicio autorizadas de herramientas mecánicas BOSCH, por favor, consulte el directorio telefónico.

ESTA GARANTIA LIMITADA NO SE APLICA A ARTICULOS ACCESORIOS TALES COMO HOJAS PARA SIERRAS CIRCULARES, BROCAS PARA TALADROS, BROCAS PARA FRESADORAS, HOJAS PARA SIERRAS DE VAIVEN, CORREAS PARA LIJAR, RUEDAS DE AMOLAR Y OTROS ARTICULOS RELACIONADOS.

TODAS LAS GARANTIAS IMPLICITAS TENDRAN UNA DURACION LIMITADA A UN AÑO A PARTIR DE LA FECHA DE COMPRA. ALGUNOS ESTADOS DE LOS EE.UU. Y ALGUNAS PROVINCIAS CANADIENSES NO PERMITEN LIMITACIONES EN CUANTO A LA DURACION DE UNA GARANTIA IMPLICITA, POR LO QUE ES POSIBLE QUE LA LIMITACION ANTERIOR NO SEA APLICABLE EN EL CASO DE USTED.

EL VENDEADOR NO SERA RESPONSABLE EN NINGUN CASO DE NINGUN DAÑO INCIDENTAL O EMERGENTE (INCLUYENDO PERO NO LIMITADO A RESPONSABILIDAD POR PERDIDA DE BENEFICIOS) QUE SE PRODUZCA COMO CONSECUENCIA DE LA VENTA O UTILIZACION DE ESTE PRODUCTO. ALGUNOS ESTADOS DE LOS EE.UU. Y ALGUNAS PROVINCIAS CANADIENSES NO PERMITEN LA EXCLUSION O LIMITACION DE LOS DAÑOS INCIDENTALES O EMERGENTES, POR LO QUE ES POSIBLE QUE LA LIMITACION O EXCLUSION ANTERIOR NO SEA APLICABLE EN EL CASO DE USTED.

ESTA GARANTIA LIMITADA LE CONFIERE A USTED DERECHOS LEGALES ESPECIFICOS Y ES POSIBLE QUE USTED TAMBIEN TENGA OTROS DERECHOS QUE VARIAN DE ESTADO A ESTADO EN LOS EE.UU., DE PROVINCIA A PROVINCIA EN CANADA Y DE UN PAIS A OTRO.

ESTA GARANTIA LIMITADA SE APLICA SOLAMENTE A HERRAMIENTAS ELECTRICAS PORTATILES Y PARA TABLERO DE BANCO VENDIDAS EN LOS ESTADOS UNIDOS DE AMERICA, CANADA Y EL ESTADO LIBRE ASOCIADO DE PUERTO RICO. PARA COBERTURA DE GARANTIA EN OTROS PAISES, PONGASE EN CONTACTO CON SU DISTRIBUIDOR O IMPORTADOR LOCAL DE BOSCH.

© Robert Bosch Tool Corporation 1800 W. Central Road Mt. Prospect, IL 60056-2230

Exportado por: Robert Bosch Tool Corporation Mt. Prospect, IL 60056-2230, E.U.A.

Importado en México por: Robert Bosch, S.A. de C.V., Calle Robert Bosch No. 405, Zona Industrial, Toluca, Edo. de México, C.P. 50070, Tel. (722) 2792300



160992A5P0

160992A5P0 02/20