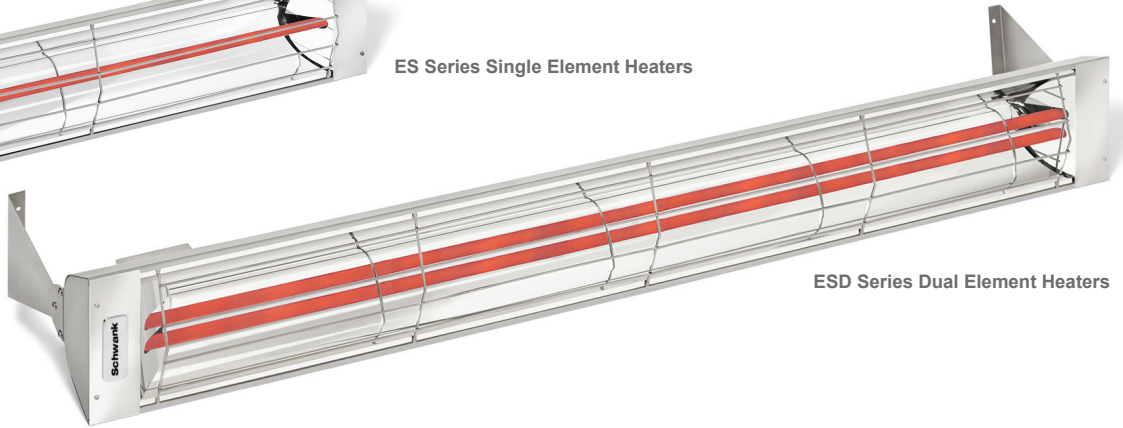


ES Series Single Element Heaters



ESD Series Dual Element Heaters

Heating Models and Capacities

With smaller, sleeker profiles, **electricSchwank** heating systems offer a streamlined, yet effective heating solution for any indoor or outdoor space. They are available in a range of sizes, wattages and voltages that can provide appropriate warmth to any indoor or outdoor area, from a small room to an expansive open-air commercial space.



Multiple Voltages



Multiple Colors



Flush Mount



One Bulb, or Two



Features

- Models range from 500 to 6000 Watts
- Available in 120V, 208V, and 240V options for a wide range of applications.
- Flush Mount option to make heater blend in with any structure
- Single stage or 2 stage option for a high or low heat setting
- Stainless steel finish – custom colors available in black, white, beige, and mineral bronze

Perfect for:



RESTAURANTS



NIGHTCLUBS

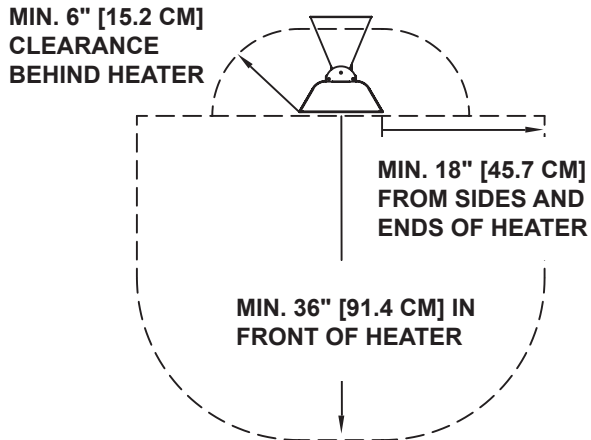


HOTELS

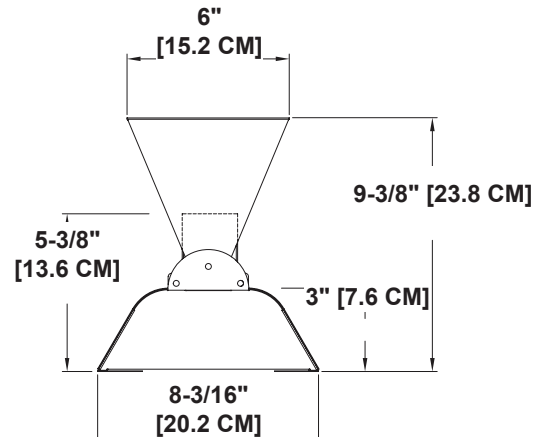
electricSchwank - Technical Specifications & Benefits

Information below is intended only as a reference and should not be used when installing equipment. Please ensure you locate the most recent instruction manual for accurate and up to date information.

Clearances to Combustibles



Dimensions



Specifications

MODEL	WATTS	LENGTH	VOLTS/AMPS			PHASE	SHIP WGT.
ES-519	500	19.5"	120/4.2			Single	10
ES-719	750	19.5"	120/6.3			Single	10
ES-1033	1000	33"	120/8.3			Single	12
ES-1533	1500	33"	120/12.5	208/7	240/6.3	Single	12
ES-2039	2000	39"	208/10	240/8.3		Single	13
ES-2539	2500	39"	208/12	240/10.4		Single	13
ESD-3033	3000	33"	208/14	240/12.5		Single	13
ES-3061	3000	61.25"	208/14	240/12.5		Single	20
ESD-4039	4000	39"	208/19	240/16.7		Single	14
ES-4061	4000	61.25"	208/19	240/16.7		Single	20
ESD-5039	5000	39"	208/24	240/20.8		Single	14
ESD-6061	6000	61.25"	208/28.8	240/25		Single	21

Heater Controls

On/Off Control



- Designed for use with single bulb heaters
- Available in flush mount or surface mount options
- Available with no cover, weatherproof cover, or weatherproof box
- Range 120/277 VAC [20 amps max per switch]

Variable Control



- Designed for use with single bulb heaters up to 3000 watts [maximum 15 amps]
- Variable control to regulate heat output
- Each heater must have its own input regulator
- Available in flush mount or surface mount options
- Available with no cover, weatherproof cover, or weatherproof box
- Available for 240 V and 120V heaters only

2-Stage Control



- Designed for use with dual bulb heaters
- 2-stage option for high or low heat setting
- Range 120/277 VAC [20 amps max per switch]
- Available in flush mount or surface mount options
- Available with no cover, weatherproof cover, or weatherproof box

Distributor info:

Our customers include:



USA: 2 Schwank Way, Waynesboro, GA 30830 | Canada: 5285 Bradco Blvd. Mississauga, ON L4W 2A6
Tel: 1-877-446-3727 | Fax: 1-866-361-0523 | www.patioschwank.com | csr@schwankgroup.com



M052016 RL: v1.3 RD: Dec-2016