

## INSTALLATION INSTRUCTIONS

### WW-ARRAY-RGB

#### **⚠ WARNING**

These products may represent a possible shock or fire hazard if improperly installed or attached in any way. Products should be installed in accordance with these instructions, current electrical codes, and/or the current National Electric Code (NEC).

#### **⚠ WARNING**

When using this product outdoors, basic safety precautions should always be followed to reduce the risk of fire, electric shock and personal injury including the following:

- Ground Fault Circuit Interrupter (GFCI) protection should be provided on the circuit(s) or outlet(s) to be used for outdoor use. Receptacles are available having built-in GFCI protection for this measure of safety.
- Use only outdoor extension cords, such as type SEW, SEOW, SEOOW, SOW, SOOW, STW, STOW, STOOW, SJEW, SJEOW, SJEOOW, SJTW, SJTOW, or SJTOOW. This designation is marked in the wire of the extension cord. Never use with an extension cord unless plug can be fully inserted.

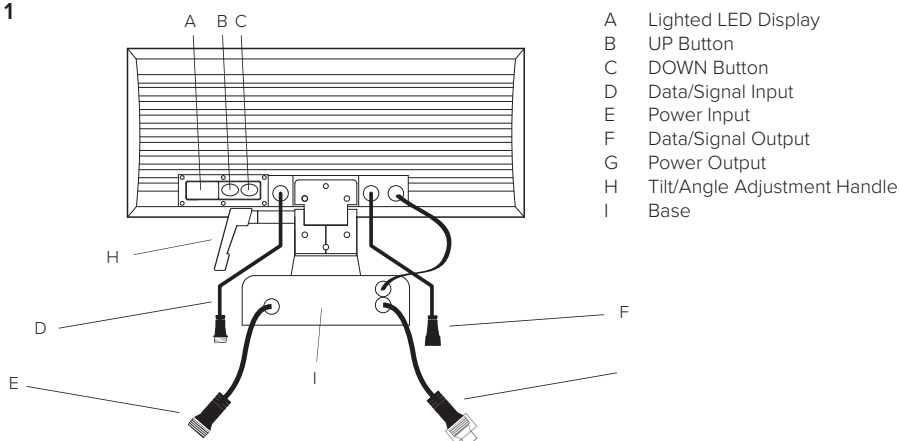
#### **SAFETY INFORMATION**

- Read all instructions before beginning. Save these instructions for future use.
- To reduce the risk of fire, electric shock, or injury to persons, pay close attention to this manual. Stay within its guidelines when using this product.
- All units must be unplugged before installing or servicing in any way.
- Do not route cords or units through walls, doors, windows, or any similar part of a building structure.
- Do not use if there is any damage to the unit, its lens, and/or power cord's insulation. Inspect periodically.
- The fixture is rated for wet locations (IP65) and can be exposed to rain and snow. However, do not let the unit stand in water or liquid, nor locate where water can accumulate.
- Secure units with mounting hardware appropriate for the mounting surface. Do not secure unit or its power cord with staples, nails, or like materials that may damage insulation.
- Do not attempt to open or service this fixture. None of its parts are serviceable by the user.
- Do not exceed the specified voltage and current input: 120V AC, 0.4A per unit.
- If using in conjunction with the WW-CON controller, do not exceed the maximum run of thirty interconnected signal cable. For any project that requires more than thirty fixtures, please consult factory.
- This product has a grounded plug as a safety feature to reduce the risk of electric shock. Do not cut the plug off or alter it in any way.
- Provide a grounded receptacle for within 5 feet of each fixture's location. If using outdoors, outlet(s) must also be GFCI and weatherproof.
- The maximum number of fixtures that connected to one run (power) is five.

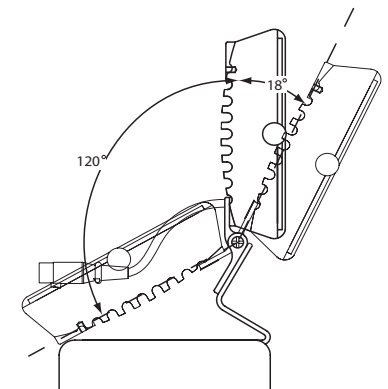
#### **BEFORE INSTALLATION:**

1. Get familiar with the key parts of the WW-ARRAY-RGB. See FIGURE 1 and FIGURE 2.
2. Determine number of fixtures to be used and how power will be delivered. Be sure to provide a 120V grounded receptacle for each unit, or plan to provide a 120V outlet for the first unit and interconnect power using mating power input and output leads, with or without LW36-EX15 power extension cables. The maximum number of fixtures that can be powered by one outlet is five.
3. Determine mounting method and fasteners required.
4. Determine if signal cable extensions are needed between fixtures or from the controller to the first fixture. Fifteen foot signal cable extensions (item number WW-EC15, sold separately) should be used when distances between two fixtures exceed 24". Signal cable extensions can be interconnected to create longer lengths when needed. Signal cables must not be located where water can stand or accumulate.
5. Determine method of color control.
  - Each fixture is factory-set to ID = 001 as indicated on the Lighted LED Display on the back of the array. See Figure 1. If the ID is left as 001, the unit will begin to advance through a factory-set color sequence. Each fixture ID comprises 3 DMX addresses (red/green/blue) and begins with DMX001 (ex. Fixture ID 001 is DMX 001, Fixture ID 002 is DMX 004, Fixture ID 003 is DMX 007, etc....)
  - To synchronize, all fixtures must be interconnected with their input and output data cables; and a WW-CON-RGB (see page 2) or DMX-RGB-3 (see pages 3-4) connected to the first unit will control all interconnected fixtures. The maximum number that can be interconnected with signal cables is thirty fixtures. Locate the controller within 175 feet of the last fixture in a series (total signal length may not exceed 175 feet).
  - A DMX hardware/software set up with a XLR3-CUSTOM adapter cable (made to order, sold separately) is needed. See page 4 for details.

**FIGURE 1**



**FIGURE 2**



## INSTALLATION INSTRUCTIONS

### WW-ARRAY-RGB

#### FIXTURE INSTALLATION:

1. Make a fixture lighting plan that shows the locations of each fixture and controller.
2. Record the fixtures' IDs on the lighting plan and affix weatherproof labels on each fixture with its assigned ID.
3. Set the fixtures' IDs using the Lighted LED Display and UP and DOWN buttons.
4. Loosen the tilt/angle adjustment handles, to rotate the light out of the way, if necessary.
5. Hold the fixture in the desired position with the base oriented for best lighting angle. The tilt can be adjusted later, but the base cannot rotate once it is attached to the mounting surface.
6. Use the through-mounting holes in the base of each unit and suitable fasteners.
7. Interconnect multiple fixtures with their signal cables, with or without additional signal extension cables (WW-EC15, sold separately), as applicable.
8. Interconnect power cables, with or without additional power extension cables (LW36-EX15, sold separately), as applicable.
9. If using an external controller, connect the controller's signal cable to the signal input of the first wall washer.

#### USING WW-CON-RGB FOR COLOR CONTROL:

Note: Controller must be located in a dry location. It requires a 120V outlet.

There are four function buttons: MODE, SET, UP, DOWN. See FIGURE 3.

#### MODE (Lighted LED Screen → meaning)

1. System Mode → System parameter setting
2. Single Color → Single color
3. Flow1 (FF) → Forward color sequence
4. Flow2 (REW) → Reverse color sequence
5. Flow2 (FF/RWW) → Forward and reverse color sequence
6. M..Color.Flow1 → Forward multicolor sequence
7. M..Color.Flow2 → Reverse multicolor sequence
8. Color Chase → Two-color sequence
9. Fade Chase → Two-color fading
10. Fade Changing → One-color fading
11. Auto Run1 → Auto run (rich and colorful)
12. Auto Run2 → Auto run (simple spot light)
13. Custom Run → User defined

#### SET

1. System Mode: total number of lights to be controlled (up to 30)
2. Single Mode (see color table at right for options 1-50)
  - a. Color selection (1 → 50) where R=Red, G = Green, Y = Yellow, B = blue, P = Purple, C = Cyan, W = White, D = no light (Dark), O = Orange, and F = Pink
  - b. Speed Setting (1 → 16)
  - c. Flashing Setting (0 → 5)
3. Auto Run
  - a. Unitary Speed Setting (1 → 16)
  - b. Time Setting for Single Mode (1 → 16)

#### UP / DOWN (Press SET UP to select or adjust parameter)

To edit programs, under (2-10), press MODE, and UP to save a current program. Do the same to save the next program, up to 30 programs.

To delete a program, under (2-10), press MODE, and DOWN.

FIGURE 3



#### Color Code Table for Single Mode Set Up

1. R	18. GP	35. CD
2. G	19. GC	36. WD
3. Y	20. GW	37. RYGC
4. B	21. GD	38. BRCG
5. P	22. YB	39. RCPY
6. C	23. YP	40. GBCR
7. W	24. YC	41. RCBP
8. D	25. YW	42. YRGB
9. RG	26. YD	43. PCWG
10. RY	27. BP	44. CPYB
11. RB	28. BC	45. RGYBPCWD
12. RP	29. BW	46. ROYGC BPF
13. RC	30. BD	47. BRCPWYDF
14. RW	31. PC	48. WPCRGYBG
15. RD	32. PW	49. GRWPBYFW
16. GY	33. PD	50. RDGDBDPD
17. GB	34. CW	

## INSTALLATION INSTRUCTIONS

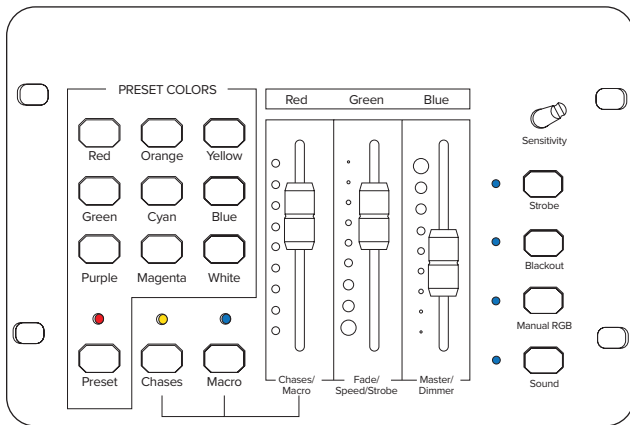
### WW-ARRAY-RGB

#### USING DMX-RGB-3 FOR COLOR CONTROL:

If the fixture(s) will be hard to reach after install, and/or you want mixing level sliders; and/or you want to change instantly to preset colors; and/or you want to use sound activation, then the DMX-RGB-3 should be used as your color controller. Note: DMX-RGB-3 must be located in a dry location. It includes a 12V DC wall adapter and 7ft power cord which requires a 120V outlet.

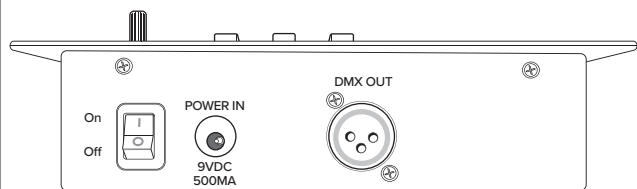
Determine which DMX adaptor cable will be needed (WW-RGB-XLR3 or WW-RGB-XLR3-15 or XLR3-CUSTOM, each sold separately) to connect the color control unit to the first wall washer. Connect the XLR3 cable to the “DMX OUT” port on the back of the unit. See Figure 5.

FIGURE 4

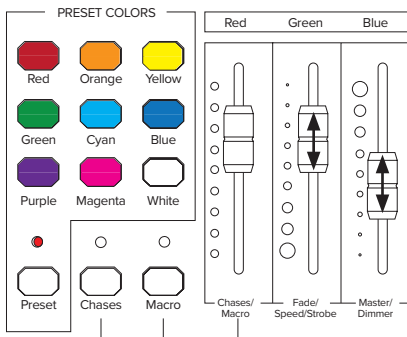


Front View

FIGURE 5

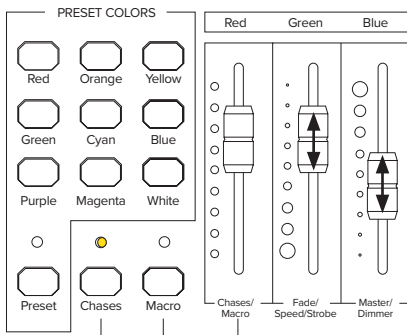


Back View



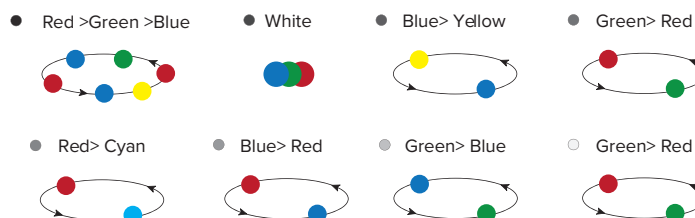
#### PRESET COLORS

- There are nine colors on the DMX-RGB-3 unit preset for quick color changes at the press of a button.
  - Press the “Preset” button at the bottom to activate the function
  - Press any of the nine color buttons
  - Slide the “Fade/Speed/Strobe” slider up or down to adjust the fade rate from one preset color to the next (from 0.1 - 60 seconds)
  - Slide the “Master/Dimmer” slider up or down to control the brightness



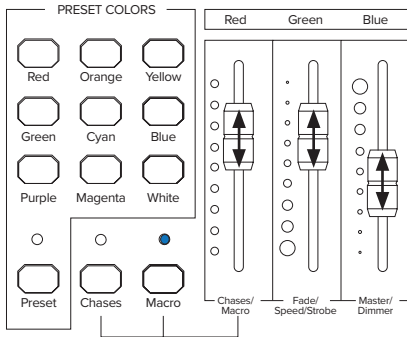
#### CHASE MODE

- There are nine chasing effects you can access using the “Chases” function.
  - Press the “Chases” button to activate the function
  - Slide the “Chases/Macro” slider to move through the chase effects (see below)
  - Slide the “Fade/Speed/Strobe” slider up or down to adjust the fade rate from one preset color to the next (from 0.1 - 60 seconds)
  - Slide the “Master/Dimmer” slider up or down to control the brightness



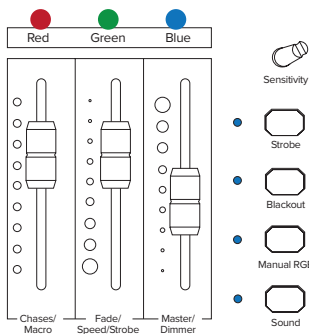
## INSTALLATION INSTRUCTIONS

### WW-ARRAY-RGB



#### MACRO MODE

3. Use the “Macro” function to produce slow and smooth fade effects
  - Press the “Macro” button to activate the function
  - Slide the “Chases/Macro” slider to move through the fade effects (see below)
  - Slide the “Fade/Speed/Strobe” slider up or down to adjust the fade rate (from 0.1 - 60 seconds)
  - Slide the “Master/Dimmer” slider up or down to control the brightness



#### ADVANCED EFFECTS

4. The four buttons work as follows:
  - Strobe: produces regular flashes of light
  - Blackout: produces darkness / no light output
  - Manual RGB: allows Red, Green and Blue light output to be adjusted manually using the individual sliders
  - Sound: converts the color control to a sound activated mode - use the sensitivity know to adjust the level of sound sensitivity

#### USING DMX512 FOR COLOR CONTROL:

1. Make a fixture layout plan that shows the locations of each fixture and controller. Leave room to create a legend to record the fixture “IDs” (fixture address number).
2. As you unpack each fixture, attach a weatherproof label on the fixture with its ID.
3. Record each fixture’s ID on the lighting plan.
4. Set the fixtures’ IDs using the UP and DOWN buttons on the underside of the fixture housing. See FIGURE 1. The ID will show on the LED Display and be held in memory even when unplugged or otherwise powered off.
  - If you want all of the fixture to be synchronized, give them all the same ID.
  - If you want them to do different things at the same time, give them different IDs, ie. 001, 004, 007, 010, etc, skipping two digits for each following ID is customary for basic fixtures that use three channels. FYI, more complex fixtures that have pan, tilt or other features will need a larger range.
5. Check the distance between the DMX equipment (by others) and the first fixture. You will need to get a DMX signal adapter cable to connect these two items, WW-XLR3 (2ft adapter cable) or WW-XLR3-15 (15ft adapter cable). Note that you can extend those previously mentioned adapter cables with interconnecting WW-EC15 (15ft signal cable), using multiples to make the length as needed.
6. Use WW-EC15 signal cables as needed between fixtures.