

INSTALLATION INSTRUCTIONS
VLTD-3CCT & VLTS-3CCT



⚠ WARNING

These products may represent a possible shock or fire hazard if improperly installed or attached in any way. Products should be installed in accordance with these instructions, current electrical codes, and/or the current National Electric Code (NEC).

⚠ WARNING

This fixture requires a 120V power source. Ensure the voltage of the power source is compatible. Disconnect supply power at the source prior to attempting installation. Proper grounding is required for safety.

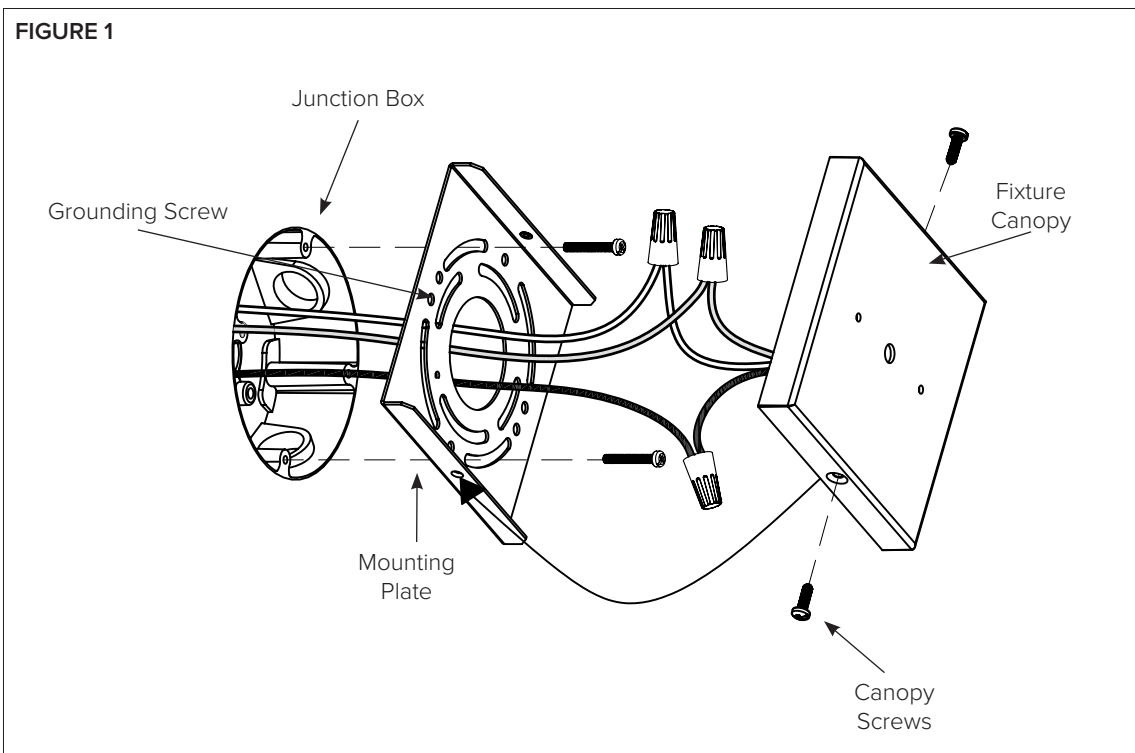
SAFETY INFORMATION

- Read all instructions before beginning; Save these instructions for future use.
- To reduce the risk of fire, electric shock, or injury to persons, pay close attention to this manual and stay within its guidelines when using this product.
- If you are unsure about your wiring, consult a qualified electrician or local electrical inspector, and check your local electrical code.
- There are no serviceable parts inside this fixture. Do not attempt to dismantle or service this fixture in any way.
- Use only on 120 volt 60Hz circuits.
- LEDs are not serviceable. Do not attempt to open the LED light engine.
- LEDs are bright. Do not look directly into fixture.
- Not intended for recess mounting in any type of installation.
- Use minimum 18 AWG coated wire for supply leads.
- If protective lens cover is broken, the fixture must be replaced. Do not use without a protective cover.

INSTALLATION (SEE FIGURES 1 & 2):

This fixture requires a 120V power source. Disconnect power at the source fuse or circuit breaker box before attempting installation. Ground the fixture to avoid potential electric shock and ensure reliable start. Double-check all connections to be sure they are tight and correct.

1. Turn off power at the source.
2. Screw the mounting plate onto the junction box (standard 4" octagonal or round). Ensure the grounding screw is facing outward and the two fixture mounting screw holes align vertically with the desired orientation of the fixture's canopy.
3. Pull the wires through the center of the installed mounting plate, then affix the grounding wires (yellow/green) to the grounding screw on the mounting plate. Now, make supply wire connections to fixture (white to white, black to black).
4. Push the fixture on to the mounting plate, aligning the two fixture mounting screw holes with the two screw holes on the fixture's canopy.
5. Use the canopy screws to securely fasten the canopy to the mounting plate.
6. To ensure a weatherproof seal, use weatherproof silicone sealant around the edge of the canopy against the mounting surface.
7. Turn on power to test fixture operation.
8. To adjust color temperature of light, use the 3-cct slider switch in the side of the canopy to switch between 3000K, 4000K, and 5000K CCT.



CARE AND MAINTENANCE:

1. For cleaning, use a soft, dry or damp cloth. Do not use harsh chemicals or abrasives.