

STLHD SERIES TAPE LIGHT

24V DC Standard Grade (HD) High Density

High Density (HD) tape light features highly efficient and compact LED chip sets that allow for tighter spacing without sacrificing lumen loss and more precise cutting increments for greater customization with run lengths up to 32.8 feet.

- High Density (HD) LED spacing in Standard Grade Output
- Available in 2700K, 3000K, 3500K, 4000K, and 5000K
- 90+ color rendering index
- Lumen output ranging from 200Lm to 235Lm per foot
- Cuttable every 2.46" with 32.8ft max run
- Easy installation featuring 3M VHB adhesive backing
- Available in IP54 coated and IP65 Jacketed
- Dimmable (5-100%) with most ELV, TRIAC dimmers
- cULus Listed for indoor dry/damp locations
- 50,000 hours rated life
- JA8 Compliant
- Suitable for use in closets when used in an enclosed extrusion based on NFPA 70, NEC section 410.16 (A)(3) and 410.16 (C)(5) - See page 4 for more details on NEC Code.



PROJECT: _____

TYPE: _____

LOCATION: _____

CATALOG NUMBER: _____



STLHD SERIES QUICK SPECS	
VOLTAGE	24V DC
WATTAGE	2.19W / ft
LUMENS	Up to 235Lm / ft
CCT OPTIONS	2700K / 3000K / 3500K / 4000K / 5000K
CRI	90+
MAX RUN	32.8ft
CUTTING POINTS	2.46" (62.5mm)
IP RATING	IP54 - Coated / IP65 Jacketed
DIMMING	TRIAC / ELV (5 - 100%)
DIMENSIONS	0.39" (10mm) W x 0.06" (1.65mm) H
BEAM ANGLE	120°
OPERATING TEMP	5°C (41°F) to 70°C (158°F)
CERTIFICATIONS	cULus Listed - Dry / Damp Location
RATED LIFE	50,000 Hours

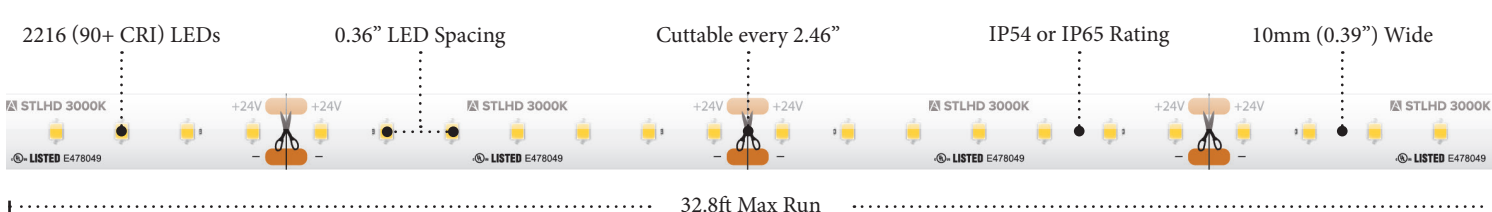
STLHD SERIES IP RATINGS

IP54 (Coated)
Features a light nano-coating applied to the tape light and LED's that protects from moisture and dust.
Best suited: Indoor dry & damp locations

IP65 (Jacketed)*
Features a clear protective silicone jacketing that protects the tape light from sprayed water and dust.
Best suited: Indoor & Outdoor damp & wet locations

*Not suitable for exposure to chemicals or salt.

STLHD SERIES QUICK LOOK



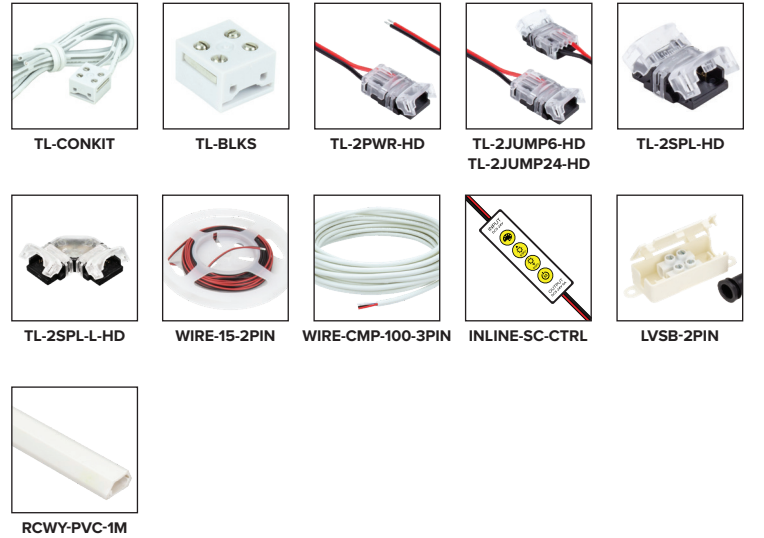
STLHD SERIES ORDERING INFORMATION *Custom Cut Orders - Please Allow Up To 2-4 Weeks Order Processing & Delivery*

ITEM NUMBER	VOLTAGE	CCT	LENGTH	LUMENS / FT	WATTAGE / FT	IP RATING	CRI	CUTTING	MAX RUN
STLHD-UWW-16	24V DC	2700K	16.4 ft	200Lm / ft	2.19W / ft	IP54	90+	2.46" (62.5mm)	32.8 ft
STLHD65-UWW-16	24V DC	2700K	16.4 ft	190Lm / ft	2.19W / ft	IP65	90+	2.46" (62.5mm)	32.8 ft
STLHD-UWW-100	24V DC	2700K	100 ft	200Lm / ft	2.19W / ft	IP54	90+	2.46" (62.5mm)	32.8 ft
STLHD-WW-16	24V DC	3000K	16.4 ft	210Lm / ft	2.19W / ft	IP54	90+	2.46" (62.5mm)	32.8 ft
STLHD65-WW-16	24V DC	3000K	16.4 ft	190Lm / ft	2.19W / ft	IP65	90+	2.46" (62.5mm)	32.8 ft
STLHD-WW-100	24V DC	3000K	100 ft	210Lm / ft	2.19W / ft	IP54	90+	2.46" (62.5mm)	32.8 ft
STLHD-NW-16	24V DC	3500K	16.4 ft	220Lm / ft	2.19W / ft	IP54	90+	2.46" (62.5mm)	32.8 ft
STLHD65-NW-16	24V DC	3500K	16.4 ft	210Lm / ft	2.19W / ft	IP65	90+	2.46" (62.5mm)	32.8 ft
STLHD-NW-100	24V DC	3500K	100 ft	220Lm / ft	2.19W / ft	IP54	90+	2.46" (62.5mm)	32.8 ft
STLHD-WH-16	24V DC	4000K	16.4 ft	235Lm / ft	2.19W / ft	IP54	90+	2.46" (62.5mm)	32.8 ft
STLHD65-WH-16	24V DC	4000K	16.4 ft	225Lm / ft	2.19W / ft	IP65	90+	2.46" (62.5mm)	32.8 ft
STLHD-WH-100	24V DC	4000K	100 ft	235Lm / ft	2.19W / ft	IP54	90+	2.46" (62.5mm)	32.8 ft
STLHD-CW-16	24V DC	5000K	16.4 ft	230Lm / ft	2.19W / ft	IP54	90+	2.46" (62.5mm)	32.8 ft
STLHD65-CW-16	24V DC	5000K	16.4 ft	220Lm / ft	2.19W / ft	IP65	90+	2.46" (62.5mm)	32.8 ft
STLHD-CW-100	24V DC	5000K	100 ft	230Lm / ft	2.19W / ft	IP54	90+	2.46" (62.5mm)	32.8 ft

16.4ft Reels (IP54) Include: 6ft lead, 6ft tail, (1) TL-CONKIT, (2) TL-BLKS, (2) TL-2PWR-HD
 16.4ft Reels (IP65) Include: 2ft Lead +6" Conkit, 2ft Tail +6" Conkit, (2) TL-2PWR-HD
 100ft Reels (IP54) Include: 6ft lead, 6ft tail, (1) TL-CONKIT, (3) TL-BLKS, (3) TL-2PWR-HD

STLHD SERIES ACCESSORIES

ITEM NUMBER	DESCRIPTION
TL-CONKIT	6' Trulink 4-in-1 Connection Kit
TL-BLKS	Trulink 4-in-1 Connector Block (QTY 10)
TL-2PWR-HD	6' HD Power Feed (IP54)
TL-2JUMP6-HD	6" HD Linking Cable
TL-2JUMP24-HD	24" HD Linking Cable
TL-2SPL-HD	HD Tape to Tape Splice Connector
TL-2SPL-L-HD	90° "L" HD Tape to Tape Splice Connector (IP54)
WIRE-15-2PIN	15ft (20/2) Wire Spool
WIRE-CMP-100-3PIN	100ft (16/3) In-wall Rated Wire Spool
INLINE-SC-CTRL	Simple Select In-line Controller (Single Color)
LVS-B-2PIN	In-Line Splice Terminal Block
RCWY-PVC-1M	1m Plastic Wire Cover Raceway (White)



RECOMMENDED POWER SUPPLIES

ITEM NUMBER	DESCRIPTION	MAX / MIN LOAD	INPUT VOLTAGE	OUTPUT VOLTAGE	DIMMABLE	DIMENSIONS
ADPT-DRJ-30-24	Adaptive Series 30W	30W / 3W	100-277V AC	24V DC	Yes*	6.49"L x 3.6"W x 1.02"H
ADPT-DRJ-60-24	Adaptive Series 60W	60W / 6W	100-277V AC	24V DC	Yes*	7.4"L x 3.6"W x 1.02"H
ADPT-DRJ-96-24	Adaptive Series 96W	96W / 9.6W	100-277V AC	24V DC	Yes*	8.66"L x 3.6"W x 1.61"H
ADPT-DRJ-192-24	Adaptive Series 192W (2 x 96W)	192W / 19.2W	100-277V AC	24V DC	Yes*	10.94"L x 4.25"W x 1.8"H
ADPT-DRJ-288-24	Adaptive Series 288W (3 x 96W)	288W / 28.8W	100-277V AC	24V DC	Yes*	11.85"L x 4.25"W x 1.8"H

Phase Dimming Compatible With Most MLV, ELV, and TRIAC Dimmers

STLHD SERIES CUT INCREMENT GUIDE

Segment	Length (MM)	Length (Inch)	Length (Feet)
1	62.5	2.46	0.21
2	125	4.92	0.41
3	187.5	7.38	0.62
4	250	9.84	0.82
5	312.5	12.3	1.03
6	375	14.76	1.23
7	437.5	17.22	1.44
8	500	19.68	1.64
9	562.5	22.14	1.85
10	625	24.6	2.05
11	687.5	27.06	2.26
12	750	29.52	2.46
13	812.5	31.98	2.67
14	875	34.44	2.87
15	937.5	36.9	3.08
16	1000	39.36	3.28
17	1062.5	41.82	3.49
18	1125	44.28	3.69
19	1187.5	46.74	3.90
20	1250	49.2	4.10
21	1312.5	51.66	4.31
22	1375	54.12	4.51
23	1437.5	56.58	4.72
24	1500	59.04	4.92
25	1562.5	61.5	5.13
26	1625	63.96	5.33
27	1687.5	66.42	5.54
28	1750	68.88	5.74
29	1812.5	71.34	5.95
30	1875	73.8	6.15
31	1937.5	76.26	6.36
32	2000	78.72	6.56
33	2062.5	81.18	6.77
34	2125	83.64	6.97
35	2187.5	86.1	7.18
36	2250	88.56	7.38
37	2312.5	91.02	7.59
38	2375	93.48	7.79
39	2437.5	95.94	8.00
40	2500	98.4	8.20

Segment	Length (MM)	Length (Inch)	Length (Feet)
41	2562.5	100.86	8.41
42	2625	103.32	8.61
43	2687.5	105.78	8.82
44	2750	108.24	9.02
45	2812.5	110.7	9.23
46	2875	113.16	9.43
47	2937.5	115.62	9.64
48	3000	118.08	9.84
49	3062.5	120.54	10.05
50	3125	123	10.25
51	3187.5	125.46	10.46
52	3250	127.92	10.66
53	3312.5	130.38	10.87
54	3375	132.84	11.07
55	3437.5	135.3	11.28
56	3500	137.76	11.48
57	3562.5	140.22	11.69
58	3625	142.68	11.89
59	3687.5	145.14	12.10
60	3750	147.6	12.30
61	3812.5	150.06	12.51
62	3875	152.52	12.71
63	3937.5	154.98	12.92
64	4000	157.44	13.12
65	4062.5	159.9	13.33
66	4125	162.36	13.53
67	4187.5	164.82	13.74
68	4250	167.28	13.94
69	4312.5	169.74	14.15
70	4375	172.2	14.35
71	4437.5	174.66	14.56
72	4500	177.12	14.76
73	4562.5	179.58	14.97
74	4625	182.04	15.17
75	4687.5	184.5	15.38
76	4750	186.96	15.58
77	4812.5	189.42	15.79
78	4875	191.88	15.99
79	4937.5	194.34	16.20
80	5000	196.8	16.40

Segment	Length (MM)	Length (Inch)	Length (Feet)
81	5062.5	199.26	16.61
82	5125	201.72	16.81
83	5187.5	204.18	17.02
84	5250	206.64	17.22
85	5312.5	209.1	17.43
86	5375	211.56	17.63
87	5437.5	214.02	17.84
88	5500	216.48	18.04
89	5562.5	218.94	18.25
90	5625	221.4	18.45
91	5687.5	223.86	18.66
92	5750	226.32	18.86
93	5812.5	228.78	19.07
94	5875	231.24	19.27
95	5937.5	233.7	19.48
96	6000	236.16	19.68
97	6062.5	238.62	19.89
98	6125	241.08	20.09
99	6187.5	243.54	20.30
100	6250	246	20.50
101	6312.5	248.46	20.71
102	6375	250.92	20.91
103	6437.5	253.38	21.12
104	6500	255.84	21.32
105	6562.5	258.3	21.53
106	6625	260.76	21.73
107	6687.5	263.22	21.94
108	6750	265.68	22.14
109	6812.5	268.14	22.35
110	6875	270.6	22.55
111	6937.5	273.06	22.76
112	7000	275.52	22.96
113	7062.5	277.98	23.17
114	7125	280.44	23.37
115	7187.5	282.9	23.58
116	7250	285.36	23.78
117	7312.5	287.82	23.99
118	7375	290.28	24.19
119	7437.5	292.74	24.40
120	7500	295.2	24.60

Segment	Length (MM)	Length (Inch)	Length (Feet)
121	7562.5	297.66	24.81
122	7625	300.12	25.01
123	7687.5	302.58	25.22
124	7750	305.04	25.42
125	7812.5	307.5	25.63
126	7875	309.96	25.83
127	7937.5	312.42	26.04
128	8000	314.88	26.24
129	8062.5	317.34	26.45
130	8125	319.8	26.65
131	8187.5	322.26	26.86
132	8250	324.72	27.06
133	8312.5	327.18	27.27
134	8375	329.64	27.47
135	8437.5	332.1	27.68
136	8500	334.56	27.88
137	8562.5	337.02	28.09
138	8625	339.48	28.29
139	8687.5	341.94	28.50
140	8750	344.4	28.70
141	8812.5	346.86	28.91
142	8875	349.32	29.11
143	8937.5	351.78	29.32
144	9000	354.24	29.52
145	9062.5	356.7	29.73
146	9125	359.16	29.93
147	9187.5	361.62	30.14
148	9250	364.08	30.34
149	9312.5	366.54	30.55
150	9375	369	30.75
151	9437.5	371.46	30.96
152	9500	373.92	31.16
153	9562.5	376.38	31.37
154	9625	378.84	31.57
155	9687.5	381.3	31.78
156	9750	383.76	31.98
157	9812.5	386.22	32.19
158	9875	388.68	32.39
159	9937.5	391.14	32.60
160	10000	393.6	32.80

NEC CODE NOTES

2023 NEC CODE ARTICLE 410.16 LUMINAIRES IN CLOTHES CLOSETS

(A) Clothes Closet Storage Space

The clothes closet storage space shall be the volume bounded by the sides and back closet walls and planes extending from the closet floor vertically to a height of 1.8 m (6 ft) or to the highest clothes-hanging rod and parallel to the walls at a horizontal distance of 600 mm (24 in.) from the sides and back of the closet walls, respectively. The volume extends vertically to the closet ceiling parallel to the walls at a horizontal distance of 300 mm (12 in.) or the width of the shelf, whichever is greater. For a closet that permits access to both sides of a hanging rod, the clothes closet storage space includes the volume below the highest rod extending 300 mm (12 in.) on either side of the rod on a plane horizontal to the floor extending the entire length of the rod. See Figure 410.16(A).

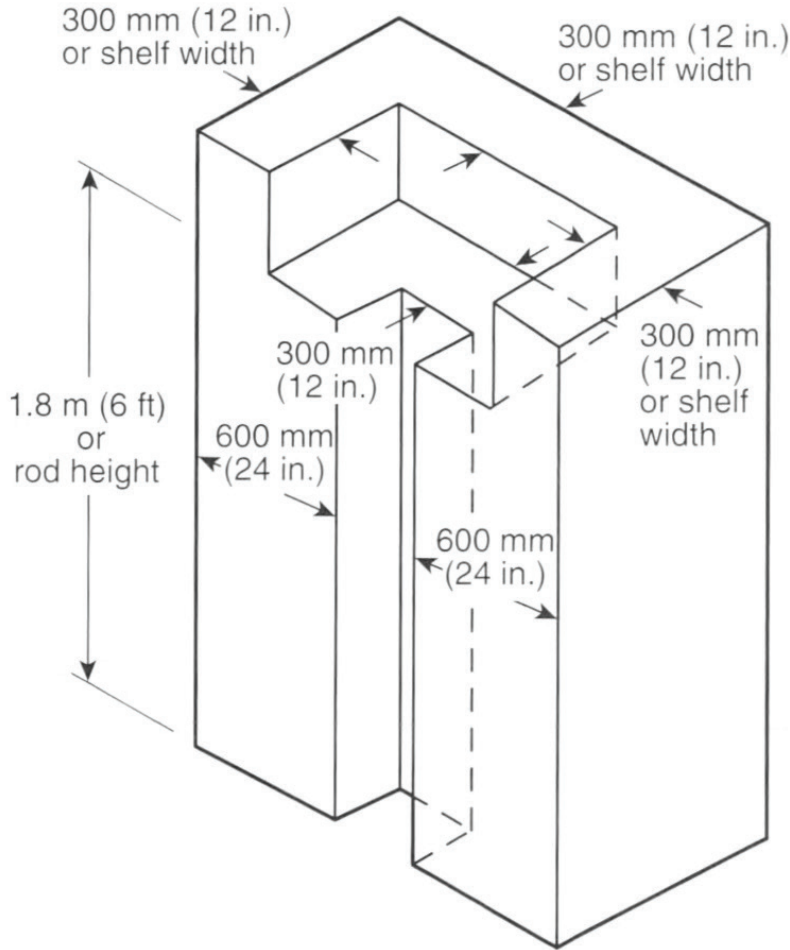


FIGURE 410.16(A) Clothes Closet Storage Space.

(B) Luminaire Types Permitted

- Only luminaires of the following types shall be permitted in a clothes closet:
- Surface-mounted or recessed incandescent or LED luminaires with completely enclosed light sources
- Surface-mounted or recessed fluorescent luminaires
- Surface-mounted fluorescent or LED luminaires identified as suitable for installation within the clothes closet storage space

(C) Luminaire Types Not Permitted

Incandescent luminaires with open or partially enclosed lamps and pendant luminaires or lampholders shall not be permitted.

(D) Location

The minimum clearance between luminaires installed in clothes closets and the nearest point of a clothes closet storage space shall be as follows:

- 300 mm (12 in.) for surface-mounted incandescent or LED luminaires with a completely enclosed light source installed on the wall above the door or on the ceiling.
- 150 mm (6 in.) for surface-mounted fluorescent luminaires installed on the wall above the door or on the ceiling.
- 150 mm (6 in.) for recessed incandescent or LED luminaires with a completely enclosed light source installed in the wall or the ceiling.
- 150 mm (6 in.) for recessed fluorescent luminaires installed in the wall or the ceiling.

Exception: Surface-mounted fluorescent or LED luminaires shall be permitted to be installed within the clothes closet storage space where identified for this use.



AMERICAN LIGHTING WARRANTY

LIMITED WARRANTY FOR LED PRODUCTS: 5 YEARS

LIMITED PRODUCT WARRANTY

Our products are warranted to be free from defects in material and workmanship for the warranty period listed. Warranty periods begin from the date of shipment from American Lighting Inc's warehouse to the original purchaser. Products that prove to be defective during their specific warranty period will be either repaired or replaced, at the sole discretion of American Lighting Inc. Claims for defective products must be submitted in writing to American Lighting Inc's RGA Department within the warranty period. Upon approval of such return, American Lighting Inc reserves the right to inspect the product for misuse or abuse. Claims for indirect or consequential damages or for product that, in American Lighting Inc's opinion, has been misused will be denied. This is a warranty of product reliability only and not a warranty of merchantability or fitness for a particular purpose. American Lighting Inc shall have no liability whatsoever in any event for payment of incidental or consequential damages, including, without limitations, installation costs and/or damages for personal injury and/or property. These products may represent a possible shock or fire hazard if improperly installed or altered in any way. This warranty does not apply to any product that has not been properly installed in accordance with current local codes and/or the National Electrical Code. Products that require a transformer, driver, or power supply must be used in conjunction with American Lighting Inc's recommended power supply to ensure safety and retain product warranty.

PRODUCT SPECIFICATIONS

For the latest product information, updates, instructions and details concerning specifications, colors, finishes, performance, installation and design, visit www.americanlighting.com. Color may vary from the color printed herein due to limitations in photographic and printing processes. American Lighting Inc. reserves the right to change product specifications without notice. Other product specifications such as color temperature, wavelength characteristics and lumen output are subject to production limitations and may vary.

LED technology is changing rapidly, and not all color temperatures and performance levels can be duplicated at a later time. Best practices include purchasing 10-15% more for a particular project on the same initial order where white LED color temperatures must be maintained over project and product life. Eventual product replacement should be considered at layout and design stages. Best practices also include testing connections and product performance prior to mounting and/or installing.

AVERAGE LIFE

Average incandescent lamp life, rated life and average life are terms used to describe the number of hours at which half of the lamps have failed. For LEDs, the hours of rated life specify the point where 70% of original lumen output is reached. Below this point, the effective life is over, however, the LED may still emit light. Individual results may vary with actual environmental conditions including, but not limited to, proper installation, ambient temperature and/or input voltage fluctuations.