

# HYBRID 2 RGB

## 120V AC KITS

Four convenient lengths of 120V AC Hybrid 2 RGB are interconnectable up to 150 feet. With a low-profile, Hybrid 2 RGB is efficient and effective, using less than 3 watts per foot. Parallel wiring to each LED means if one LED goes out, the rest still get power. Use with the 120V plug-in Standalone Controller (required\*) which has built-in color select, preset effect, speed, and brightness options; or interface with DMX equipment.

- Available in four interconnectable lengths
- 3-in-1 5050 RGB LEDs create bright and dynamic effect lighting
- 120V system consumes up to 2.7 watts per foot and 150ft max run
- cETLus Listed
- Suitable for indoor use and limited outdoor use in areas protected from extreme weather
- 20,000 hours rated life

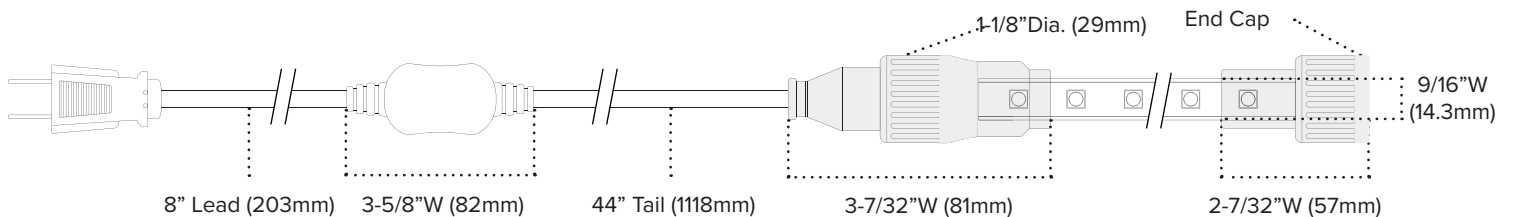


### HYBRID 2 RGB QUICK SPECS

|                       |                                    |
|-----------------------|------------------------------------|
| <b>INPUT VOLTAGE</b>  | 120V AC                            |
| <b>WATTAGE</b>        | 2.7W per ft                        |
| <b>LUMENS</b>         | N/A                                |
| <b>CCT</b>            | RGB                                |
| <b>CRI</b>            | N/A                                |
| <b>MAX RUN</b>        | 150ft                              |
| <b>CUTTING POINTS</b> | Non-Cuttable†                      |
| <b>IP RATING</b>      | IP65 - Wet Location                |
| <b>DIMMING</b>        | Via DMX / RF Controls              |
| <b>OPERATING TEMP</b> | -30°C (-22°F) to 45°C (113°F)**    |
| <b>AMBIENT TEMP</b>   | -20°C (-4°F) to 42°C (107.6°F)**   |
| <b>STORAGE TEMP</b>   | -10°C (14°F) to 30°C (86°F)**      |
| <b>LED SPACING</b>    | Every 5/8"; 20 per foot            |
| <b>RATING</b>         | cETLus Listed (Void if field cut)* |
| <b>RATED LIFE</b>     | 20,000 Hours                       |

\*\*Do not install in inclement weather or extreme temperature conditions (i.e. -25°C (-13°F) and below)  
 † cETLus Listing for 120V is void if product is cut

### HYBRID 2 RGB QUICK DIMENSIONS

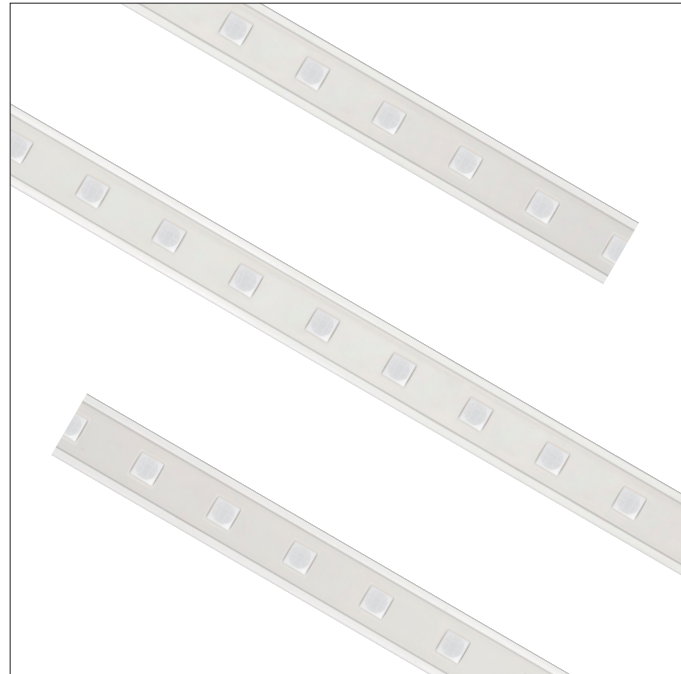


PROJECT: \_\_\_\_\_

TYPE: \_\_\_\_\_

LOCATION: \_\_\_\_\_

CATALOG NUMBER: \_\_\_\_\_



**HYBRID 2 RGB ORDERING INFORMATION**

| PART NUMBER   | VOLTAGE | CCT | CRI | WATTAGE | LUMENS | LENGTH | IP RATING  | MAX RUN |
|---------------|---------|-----|-----|---------|--------|--------|------------|---------|
| RGB-H2-EXT-3  | 120V AC | RGB | N/A | N/A     | N/A    | 3'     | (IP65) Wet | 150'    |
| RGB-H2-EXT-12 | 120V AC | RGB | N/A | N/A     | N/A    | 12'    | (IP65) Wet | 150'    |
| RGB-H2-EXT-30 | 120V AC | RGB | N/A | N/A     | N/A    | 30'    | (IP65) Wet | 150'    |
| RGB-H2-EXT-45 | 120V AC | RGB | N/A | N/A     | N/A    | 45'    | (IP65) Wet | 150'    |

**HYBRID 2 RGB ACCESSORIES**

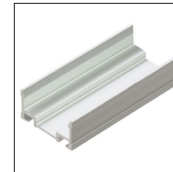
| ITEM NUMBER       | DESCRIPTION  |
|-------------------|--|
| RGB-H2-CTRL       | Standalone + DMX Decoder (Required)                          |
| RGB-H2-REC-RF     | Radio Frequency Receiver (Use w/RGB-H2-CTRL + RF Controller) |
| RGB-H2-IR-5A      | Infrared Simple Controller (Includes Remote Control)         |
| RGB-H2-CLIPS-AL   | Aluminum Mounting Clips with Screws (qty 10)                 |
| RGB-H2-CHAN-3     | 3' Aluminum Mounting Channel                                 |
| RGB-H2-XLR3-PT    | XLR3 Adapter (Use w/RGB-H2-CTRL)                             |
| RGB-H2-CTRL-EC15  | 15' Signal Linking Cable (Use w/RGB-H2-CTRL)                 |
| RGB-H2-EXT-JUMP.5 | 6" Twist-on Linking Cable                                    |
| RGB-H2-EXT-JUMP3  | 3' Twist-on Linking Cable                                    |
| RGB-H2-EXT-JUMP10 | 10' Twist-on Linking Cable                                   |
| RGB-H2-EXT-JUMP20 | 20' Twist-on Linking Cable                                   |



RGB-H2-CTRL



RGB-H2-REC-RF



RGB-H2-CLIPS-AL



RGB-H2-IR-5A



RGB-H2-XLR3-PT



RGB-H2-CHAN-3



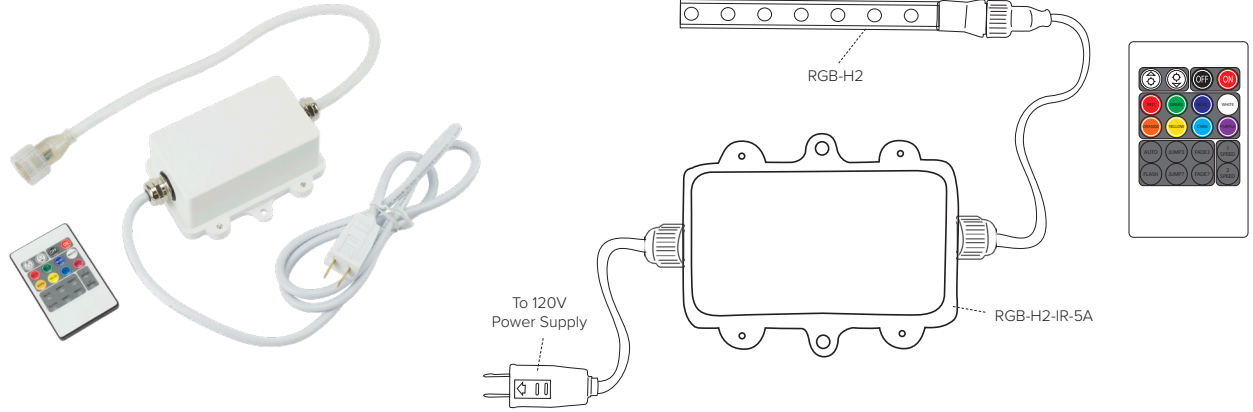
RGB-H2-CTRL-EC15



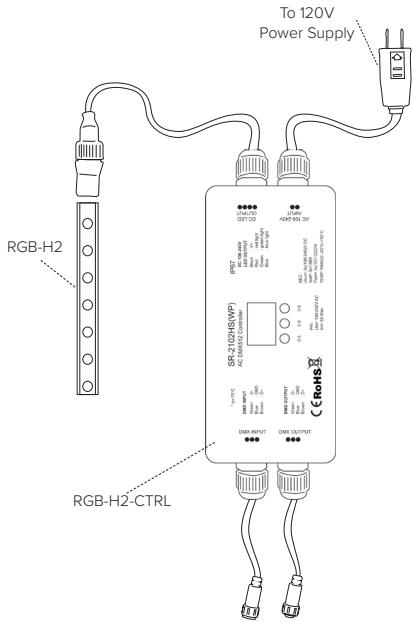
RGB-H2-EXT-JUMP3  
RGB-H2-EXT-JUMP.5  
RGB-H2-EXT-JUMP10  
RGB-H2-EXT-JUMP20

**HYBRID 2 RGB** LAYOUT OPTIONS

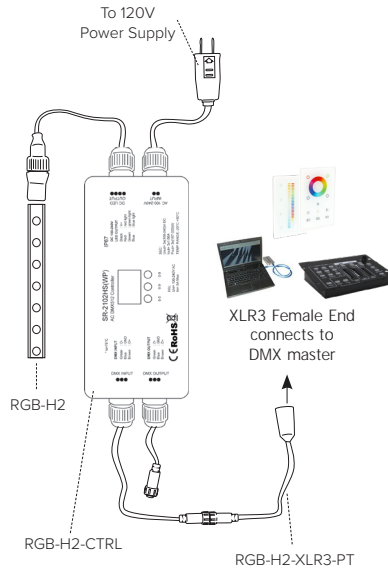
Power/Control Option A  
 RGB-H2-IR-5A  
 Infrared Controller + Receiver Combo



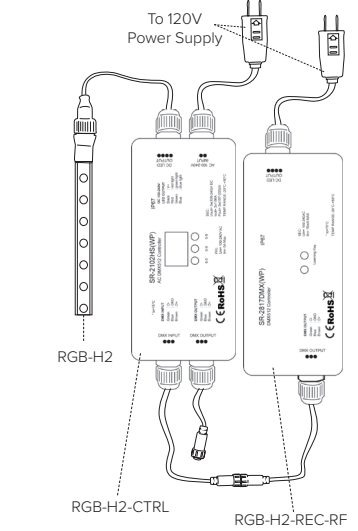
Power/Control Option B  
 RGB-H2-CTRL  
 in Standalone Mode



Power/Control Option C  
 RGB-H2-CTRL  
 + Master DMX Control



Power/Control Option D  
 RGB-H2-CTRL + RGB-H2-REC-RF  
 + Trulux RF Controller  
 for Radio Frequency Control



RGB-H2-REC-RF requires Radio Frequency (RF) controller (sold separately)

RF-RGBW-USB    RF-RGBW-3AAA    RF-RGBW-3Z





# AMERICAN LIGHTING WARRANTY

## LIMITED WARRANTY FOR LED PRODUCTS: 1 YEAR

### LIMITED PRODUCT WARRANTY

Our products are warranted to be free from defects in material and workmanship for the warranty period listed. Warranty periods begin from the date of shipment from American Lighting Inc's warehouse to the original purchaser. Products that prove to be defective during their specific warranty period will be either repaired or replaced, at the sole discretion of American Lighting Inc. Claims for defective products must be submitted in writing to American Lighting Inc's RGA Department within the warranty period. Upon approval of such return, American Lighting Inc reserves the right to inspect the product for misuse or abuse. Claims for indirect or consequential damages or for product that, in American Lighting Inc's opinion, has been misused will be denied. This is a warranty of product reliability only and not a warranty of merchantability or fitness for a particular purpose. American Lighting Inc shall have no liability whatsoever in any event for payment of incidental or consequential damages, including, without limitations, installation costs and/or damages for personal injury and/or property. These products may represent a possible shock or fire hazard if improperly installed or altered in any way. This warranty does not apply to any product that has not been properly installed in accordance with current local codes and/or the National Electrical Code. Products that require a transformer, driver, or power supply must be used in conjunction with American Lighting Inc's recommended power supply to ensure safety and retain product warranty.

### PRODUCT SPECIFICATIONS

For the latest product information, updates, instructions and details concerning specifications, colors, finishes, performance, installation and design, visit [www.americanlighting.com](http://www.americanlighting.com). Color may vary from the color printed herein due to limitations in photographic and printing processes. American Lighting Inc. reserves the right to change product specifications without notice. Other product specifications such as color temperature, wavelength characteristics and lumen output are subject to production limitations and may vary. LED technology is changing rapidly, and not all color temperatures and performance levels can be duplicated at a later time. Best practices include purchasing 10-15% more for a particular project on the same initial order where white LED color temperatures must be maintained over project and product life. Eventual product replacement should be considered at layout and design stages. Best practices also include testing connections and product performance prior to mounting and/or installing.

### AVERAGE LIFE

Average incandescent lamp life, rated life and average life are terms used to describe the number of hours at which half of the lamps have failed. For LEDs, the hours of rated life specify the point where 70% of original lumen output is reached. Below this point, the effective life is over, however, the LED may still emit light. Individual results may vary with actual environmental conditions including, but not limited to, proper installation, ambient temperature and/or input voltage fluctuations.