

PROJECT: TYPE:

LOCATION: CAT:



Description

Trulux radio frequency receiver for use with Trulux RF controllers or Trulux WiFi Hub + Trulux App combo.

Features

- Multiple receivers can be 'taught' to respond to one Trulux controller using the built-in learning key
- Compatible with WiFi hub for multi-zone applications
- 4 channel operation with each channel handling up to 5A
- Requires Trulux RF controller and 12-36V DC input (LED-DR series recommended, sold separately) for operation

Mounting

Surface mount to hard surface

Applications

Receiver for Radio Frequency signal from Trulux RF controller (sold separately)

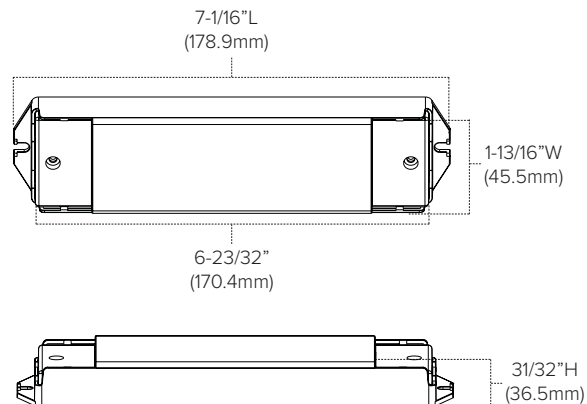
Technical Information



Input Voltage	12-36V DC - Constant Voltage
Input Current	20.5A maximum
Output Wattage	4 channels x (60-180)W
Output Current	4 channels x 5A
Temperature Range	-20°C to 50°C
Rating	FCC Compliant, RoHS Compliant, dry location

Receiver can be powered from secondary side of driver being used to power the controller and/or fixture. Do not connect more than one power supply to the input side of receiver.

Dimensions



Ordering Information

Trulux RF Receiver

MODEL: **REC** - TYPE: **5A** - ZONES: **4Z**

REC-5A-4Z includes:

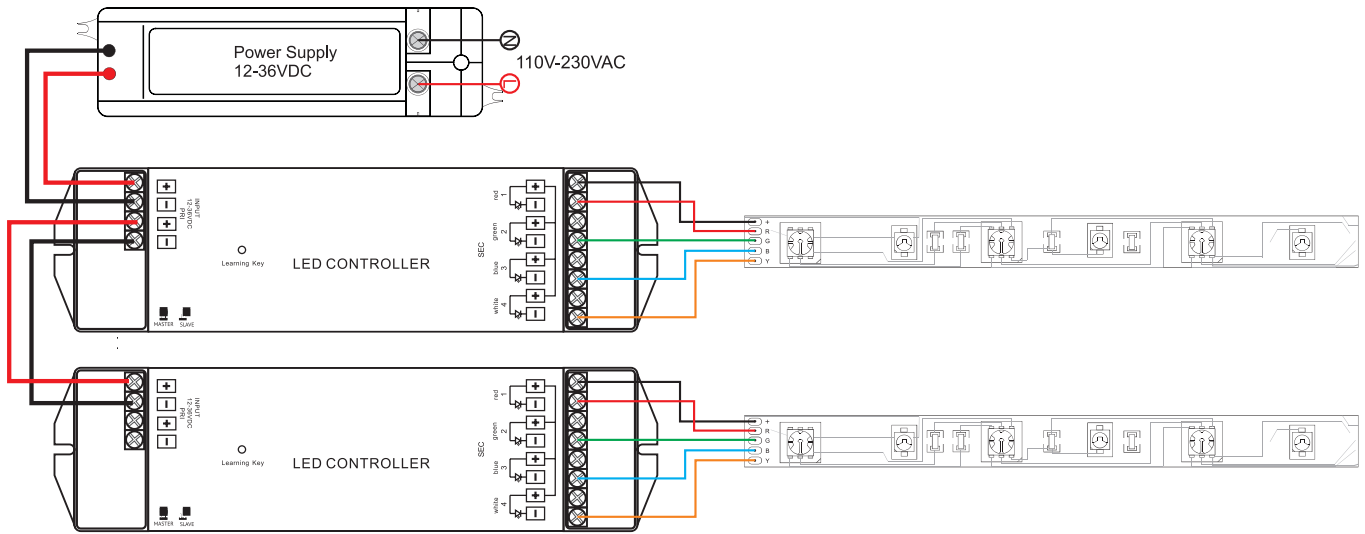
(1) Trulux RF Receiver (requires 12-36V power supply & Trulux control)

Example Part # **REC-5A-4Z**

REC - **5A** - **4Z**



Quick Set-Up





AMERICAN LIGHTING WARRANTY

LIMITED WARRANTY FOR LED PRODUCTS: 3 YEARS

LIMITED PRODUCT WARRANTY

Our products are warranted to be free from defects in material and workmanship for the warranty period listed. Warranty periods begin from the date of shipment from American Lighting Inc's warehouse to the original purchaser. Products that prove to be defective during their specific warranty period will be either repaired or replaced, at the sole discretion of American Lighting Inc. Claims for defective products must be submitted in writing to American Lighting Inc's RGA Department within the warranty period. Upon approval of such return, American Lighting Inc reserves the right to inspect the product for misuse or abuse. Claims for indirect or consequential damages or for product that, in American Lighting Inc's opinion, has been misused will be denied. This is a warranty of product reliability only and not a warranty of merchantability or fitness for a particular purpose. American Lighting Inc shall have no liability whatsoever in any event for payment of incidental or consequential damages, including, without limitations, installation costs and/or damages for personal injury and/or property. These products may represent a possible shock or fire hazard if improperly installed or altered in any way. This warranty does not apply to any product that has not been properly installed in accordance with current local codes and/or the National Electrical Code. Products that require a transformer, driver, or power supply must be used in conjunction with American Lighting Inc's recommended power supply to ensure safety and retain product warranty.

PRODUCT SPECIFICATIONS

For the latest product information, updates, instructions and details concerning specifications, colors, finishes, performance, installation and design, visit www.americanlighting.com. Color may vary from the color printed herein due to limitations in photographic and printing processes. American Lighting Inc. reserves the right to change product specifications without notice. Other product specifications such as color temperature, wavelength characteristics and lumen output are subject to production limitations and may vary. LED technology is changing rapidly, and not all color temperatures and performance levels can be duplicated at a later time. Best practices include purchasing 10-15% more for a particular project on the same initial order where white LED color temperatures must be maintained over project and product life. Eventual product replacement should be considered at layout and design stages. Best practices also include testing connections and product performance prior to mounting and/or installing.

AVERAGE LIFE

Average incandescent lamp life, rated life and average life are terms used to describe the number of hours at which half of the lamps have failed. For LEDs, the hours of rated life specify the point where 70% of original lumen output is reached. Below this point, the effective life is over, however, the LED may still emit light. Individual results may vary with actual environmental conditions including, but not limited to, proper installation, ambient temperature and/or input voltage fluctuations.