

# QUICK DISC PIR

## 120V Surface Mount Downlight

The Quick Disc is a surface mount LED downlight for use with most standard junction boxes. Installation is fast and easy due to its unique screw-through mounting system that connects the downlight straight to the junction box. The Quick Disc PIR includes an attached motion sensor.

- 3000K color temperature with 90+ CRI
- 4" and 6" trim sizes with up to 950 lumens
- Low profile design, as little as 1" high
- Quick and easy design for fast installs
- Polycarbonate lens for diffused soft light
- Aluminum housing
- 50,000 hours rated life
- ENERGY STAR certified and JA8 Compliant
- cETLus Listed for damp locations
- Suitable for use in closets based on NFPA 70, NEC section 410.16 (A)(3) and 410.16 (C)(5)

PROJECT:
TYPE:
LOCATION:
CATALOG NUMBER:



**QD4PIR-30-WH**



**QD6PIR-30-WH**



### QDPIR SERIES QUICK SPECS

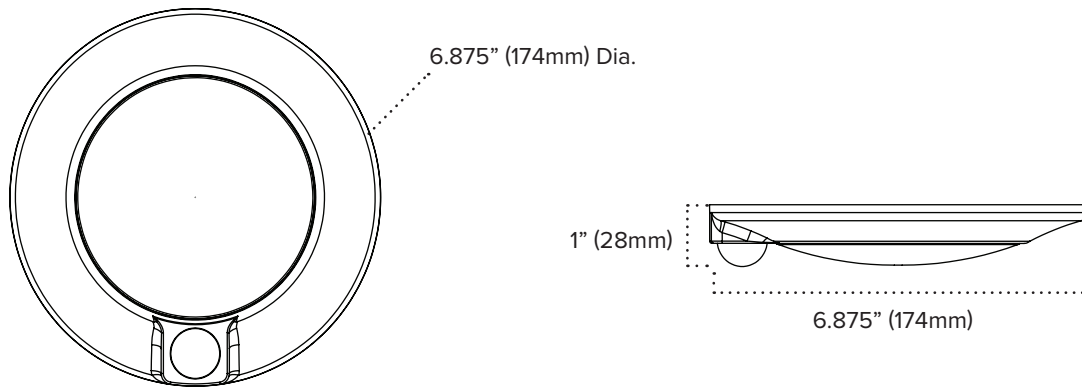
<b>VOLTAGE</b>	120 AC, 60Hz
<b>WATTAGE</b>	9W / 15W
<b>LUMENS</b>	Up to 950Lm
<b>CCT OPTIONS</b>	3000K
<b>CRI</b>	90+
<b>MOUNTING</b>	Surface mount - 4O Octagonal / 4O Round / 3O Round
<b>DIMMING</b>	N/A
<b>BEAM ANGLE</b>	120°
<b>OPERATING TEMP</b>	-25°C (-13°F) to 40°C (104°F)
<b>CERTIFICATIONS</b>	cETLus Listed / Energy Star Certified / JA8 / Wet Location
<b>RATED LIFE</b>	50,000 Hours - 5 Year Limited Warranty

### QDPIR SERIES ORDERING INFORMATION

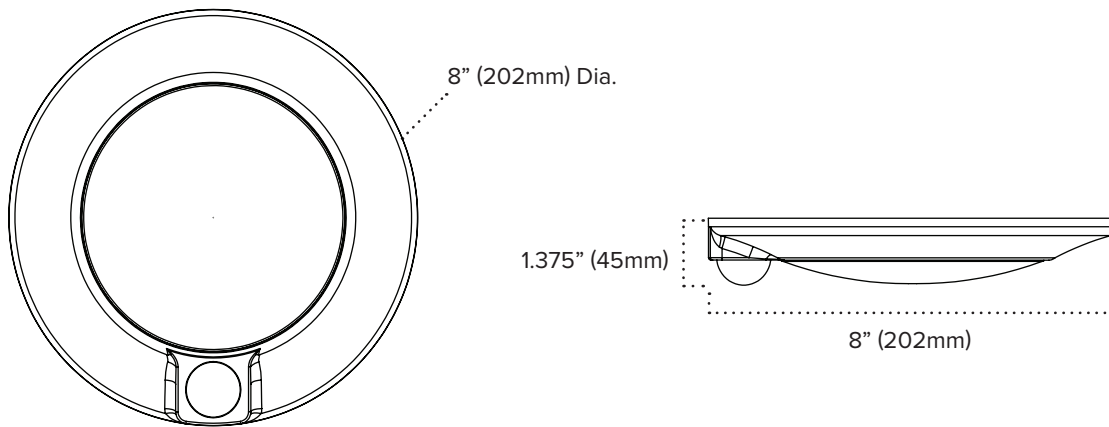
ITEM NUMBER	DESCRIPTION	FINISH	VOLTAGE	CCT	CRI	LUMENS	WATTAGE	DIMMING
<b>QD4PIR-30-WH</b>	Quick Dis PIR 4	White	120V	3000K	90+	600Lm	9W	N/A
<b>QD6PIR-30-WH</b>	Quick Disc PIR 6	White	120V	3000K	90+	950Lm	15W	N/A

**QUICK DISC PIR DIMENSIONS**

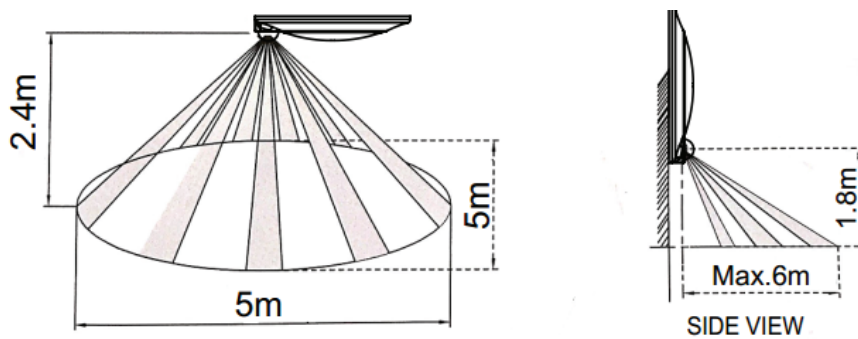
**QD4PIR**



**QD6PIR**



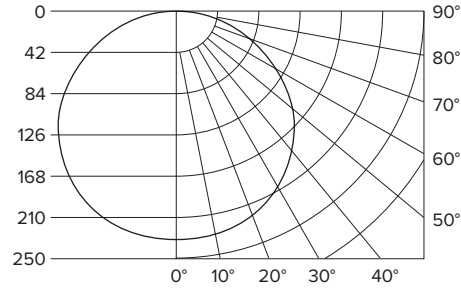
**QUICK DISC PIR SENSOR DETECTION RANGE**



**QUICK DISC PIR PHOTOMETRICS**

**QD4PIR**

<b>PART NUMBER</b>	QD4PIR-30-WH
<b>BEAM SPREAD</b>	108.3°
<b>LUMENS</b>	642.43 Lm
<b>WATTAGE</b>	10W
<b>EFFICACY</b>	66.5 Lm/W
<b>CCT</b>	3000K
<b>CRI</b>	94.3

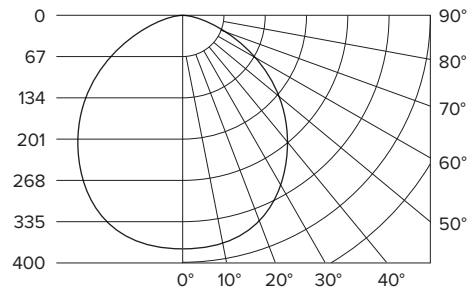


Avg. Foot Candles	Beam Dia.
4.5	11.1'
2.0	16.6'
1.1	22.1'
0.7	27.7'
0.5	33.2'
0.4	38.8'

Distance From Light

**QD6PIR**

<b>PART NUMBER</b>	QD6PIR-30-WH
<b>BEAM SPREAD</b>	104.9°
<b>LUMENS</b>	987.85 Lm
<b>WATTAGE</b>	15W
<b>EFFICACY</b>	66 Lm/W
<b>CCT</b>	3000K
<b>CRI</b>	93.2



Avg. Foot Candles	Beam Dia.
7.7	10.4'
3.4	15.6'
1.9	20.8'
1.2	26.0'
0.9	31.2'
0.6	36.4'

Distance From Light



# AMERICAN LIGHTING WARRANTY

## LIMITED WARRANTY FOR LED PRODUCTS: 5 YEARS

### LIMITED PRODUCT WARRANTY

Our products are warranted to be free from defects in material and workmanship for the warranty period listed. Warranty periods begin from the date of shipment from American Lighting Inc's warehouse to the original purchaser. Products that prove to be defective during their specific warranty period will be either repaired or replaced, at the sole discretion of American Lighting Inc. Claims for defective products must be submitted in writing to American Lighting Inc's RGA Department within the warranty period. Upon approval of such return, American Lighting Inc reserves the right to inspect the product for misuse or abuse. Claims for indirect or consequential damages or for product that, in American Lighting Inc's opinion, has been misused will be denied. This is a warranty of product reliability only and not a warranty of merchantability or fitness for a particular purpose. American Lighting Inc shall have no liability whatsoever in any event for payment of incidental or consequential damages, including, without limitations, installation costs and/or damages for personal injury and/or property. These products may represent a possible shock or fire hazard if improperly installed or altered in any way. This warranty does not apply to any product that has not been properly installed in accordance with current local codes and/or the National Electrical Code. Products that require a transformer, driver, or power supply must be used in conjunction with American Lighting Inc's recommended power supply to ensure safety and retain product warranty.

### PRODUCT SPECIFICATIONS

For the latest product information, updates, instructions and details concerning specifications, colors, finishes, performance, installation and design, visit [www.americanlighting.com](http://www.americanlighting.com). Color may vary from the color printed herein due to limitations in photographic and printing processes. American Lighting Inc. reserves the right to change product specifications without notice. Other product specifications such as color temperature, wavelength characteristics and lumen output are subject to production limitations and may vary. LED technology is changing rapidly, and not all color temperatures and performance levels can be duplicated at a later time. Best practices include purchasing 10-15% more for a particular project on the same initial order where white LED color temperatures must be maintained over project and product life. Eventual product replacement should be considered at layout and design stages. Best practices also include testing connections and product performance prior to mounting and/or installing.

### AVERAGE LIFE

Average incandescent lamp life, rated life and average life are terms used to describe the number of hours at which half of the lamps have failed. For LEDs, the hours of rated life specify the point where 70% of original lumen output is reached. Below this point, the effective life is over, however, the LED may still emit light. Individual results may vary with actual environmental conditions including, but not limited to, proper installation, ambient temperature and/or input voltage fluctuations.