

QUICK DISC PIR

120V Surface Mount Downlight

The Quick Disc is a surface mount LED downlight for use with most standard junction boxes. Installation is fast and easy due to its unique screw-through mounting system that connects the downlight straight to the junction box. The Quick Disc PIR includes an attached motion sensor.

- 3000K color temperature with 90+ CRI
- 4" and 6" trim sizes with up to 950 lumens
- Low profile design, as little as 1" high
- Quick and easy design for fast installs
- Polycarbonate lens for diffused soft light
- Aluminum housing
- 50,000 hours rated life
- ENERGY STAR certified and JA8 Compliant
- cETLus Listed for damp locations
- Suitable for use in closets based on NFPA 70, NEC section 410.16 (A)(3) and 410.16 (C)(5)

PROJECT:
TYPE:
LOCATION:
CATALOG NUMBER:



QD4PIR-30-WH



QD6PIR-30-WH



QDPIR SERIES QUICK SPECS

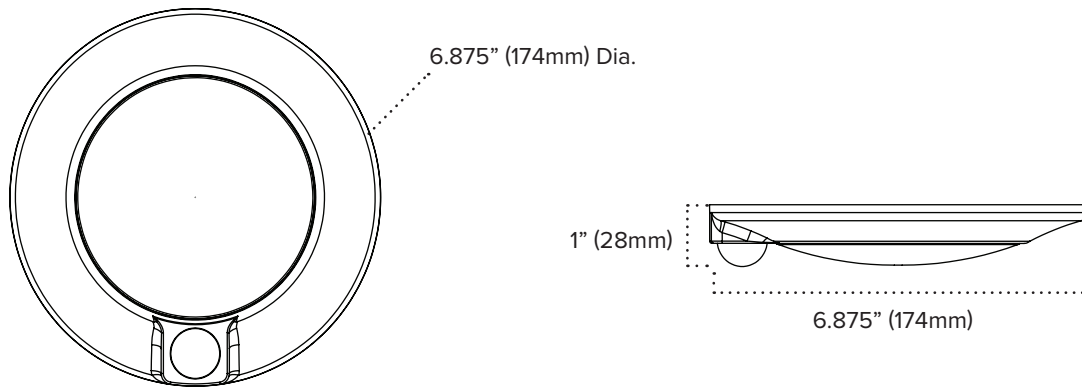
VOLTAGE	120 AC, 60Hz
WATTAGE	9W / 15W
LUMENS	Up to 950Lm
CCT OPTIONS	3000K
CRI	90+
MOUNTING	Surface mount - 4O Octagonal / 4O Round / 3O Round
DIMMING	N/A
BEAM ANGLE	120°
OPERATING TEMP	-25°C (-13°F) to 40°C (104°F)
CERTIFICATIONS	cETLus Listed / Energy Star Certified / JA8 / Wet Location
RATED LIFE	50,000 Hours - 5 Year Limited Warranty

QDPIR SERIES ORDERING INFORMATION

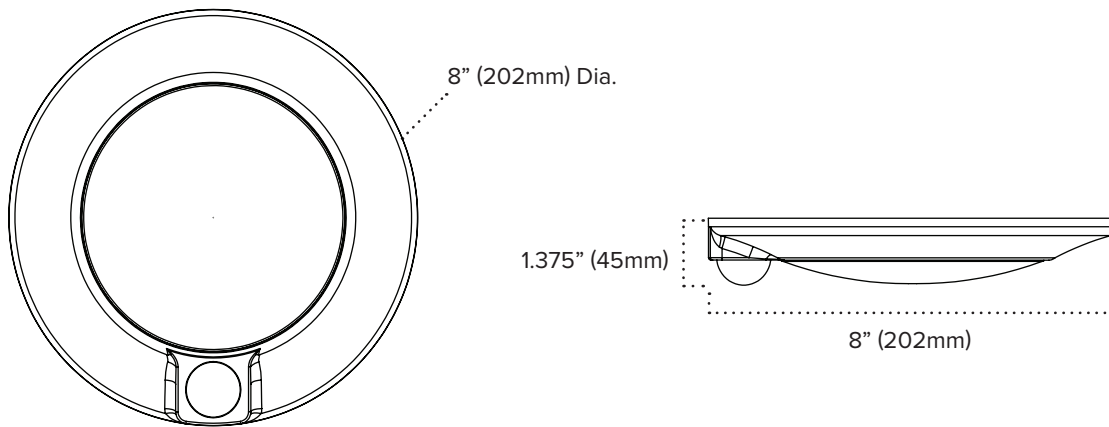
ITEM NUMBER	DESCRIPTION	FINISH	VOLTAGE	CCT	CRI	LUMENS	WATTAGE	DIMMING
QD4PIR-30-WH	Quick Dis PIR 4	White	120V	3000K	90+	600Lm	9W	N/A
QD6PIR-30-WH	Quick Disc PIR 6	White	120V	3000K	90+	950Lm	15W	N/A

QUICK DISC PIR DIMENSIONS

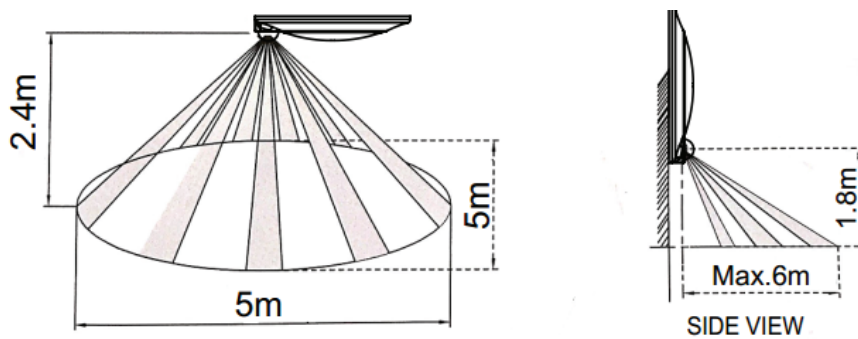
QD4PIR



QD6PIR



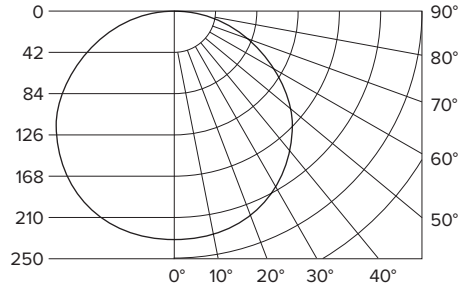
QUICK DISC PIR SENSOR DETECTION RANGE



QUICK DISC PIR PHOTOMETRICS

QD4PIR

PART NUMBER	QD4PIR-30-WH
BEAM SPREAD	108.3°
LUMENS	642.43 Lm
WATTAGE	10W
EFFICACY	66.5 Lm/W
CCT	3000K
CRI	94.3

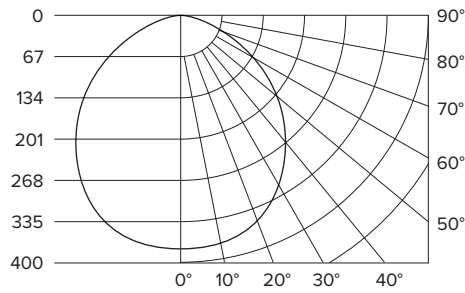


Avg. Foot Candles	Beam Dia.
4.5	11.1'
2.0	16.6'
1.1	22.1'
0.7	27.7'
0.5	33.2'
0.4	38.8'

Distance From Light

QD6PIR

PART NUMBER	QD6PIR-30-WH
BEAM SPREAD	104.9°
LUMENS	987.85 Lm
WATTAGE	15W
EFFICACY	66 Lm/W
CCT	3000K
CRI	93.2



Avg. Foot Candles	Beam Dia.
7.7	10.4'
3.4	15.6'
1.9	20.8'
1.2	26.0'
0.9	31.2'
0.6	36.4'

Distance From Light