

OMNI SLIM SERIES

24V DC Puck Light

The ultra low profile Omni Slim puck light is only 1/16" tall (1/4" with trim) but produces up to 150 lumens. Available in 3000K or 4000K with a black or white finish the Omni Slim is the task light that is perfect for any accent, under-cabinet, in-cabinet, and other small niche area lighting application.

- Available in 3000K or 4000K
- High color rendering index (90+ CRI)
- 24V DC operation
- Low power consumption of 2.5W
- Surface mount ultra low profile
- cETLus listed for dry locations
- 35,000 hour rated life



OMNI SLIM SERIES QUICK SPECS

INPUT VOLTAGE	24V DC
WATTAGE	2.5W
LUMENS	140Lm / 150Lm
CCT	3000K / 4000K
CRI	90+
IP RATING	IP20
DIMENSIONS	3"W x 1/16"H
BEAM ANGLE	148°
DIMMING	5-100% (TRIAC/ELV/CL)
OPERATING TEMP	-10°C (14°F) to 45°C (113°F)
CERTIFICATIONS	cETLus Listed - dry locations
RATED LIFE	35,000 Hours

PROJECT: _____

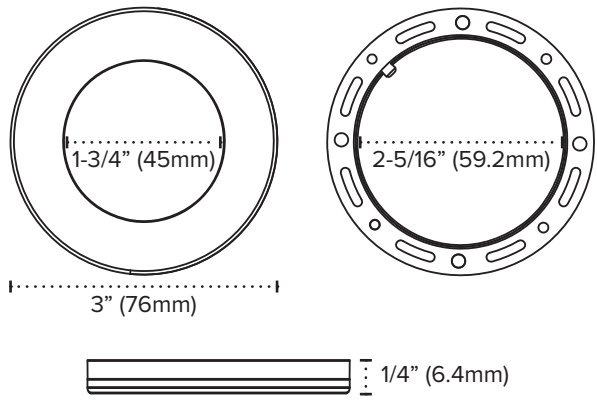
TYPE: _____

LOCATION: _____

CATALOG NUMBER: _____



OMNI SLIM SERIES QUICK DIMENSIONS



OMNI SLIM SERIES ORDERING INFORMATION

ITEM NUMBER	VOLTAGE	FINISH	CCT	LUMENS	WATTAGE
OMNISL-30	24V DC	White/Black	3000K	140Lm	2.5W
OMNISL-40	24V DC	White/Black	4000K	150Lm	2.5W

Includes: Black and white trim, mounting brackets, 72" lead wires

RECOMMENDED POWER SUPPLIES

Part Number	Description	Primary / Secondary	Total Wattage	Listing	Dimensions
ADPT-DRJ-30-24	Constant voltage hardwire driver	100-277 AC / 24V DC	30W	cULus	7.4"L x 3.6"W x 1.02"H
ADPT-DRJ-60-24	Constant voltage hardwire driver	100-277 AC / 24V DC	60W	cULus	7.4"L x 3.6"W x 1.02"H
ADPT-DRJ-96-24	Constant voltage hardwire driver	100-277 AC / 24V DC	96W	cULus	8.66"L x 3.6"W x 1.61"H
ADPT-DRJ-192-24	Constant voltage hardwire driver	100-277 AC / 24V DC	192W	cULus	10.94"L x 4.25"W x 1.8"H
ADPT-DRJ-288-24	Constant voltage hardwire driver	100-277 AC / 24V DC	288W	cULus	11.85"L x 4.25"W x 1.8"H