

NEONFLEX PRO-L SERIES

24V DC Static White Side Bend Neon

Neonflex Pro is the next generation solution for achieving seamless lines of direct view lighting for any architectural-grade install. UV, flame, and saltwater resistant, Neonflex Pro is not only durable, but easy to install. Featuring multiple power feed options, in-field customization makes for a versatile option for any interior or exterior application.

- Static white lateral (side bend) LED neon
- Available in 2700K, 3000K, and 4000K
- 90+ color rendering index
- Lumen output performance up to 103Lm per foot
- Cuttable every 1.97" with 55.7ft max run
- UV, flame, and saltwater resistant
- IP67 rating featuring sealed silicone jacketing
- Dimmable (5-100%) with most ELV and TRIAC dimmers
- cULus Listed for indoor and outdoor wet locations
- 54,000 hours rated life



PROJECT: _____

TYPE: _____

LOCATION: _____

CATALOG NUMBER: _____

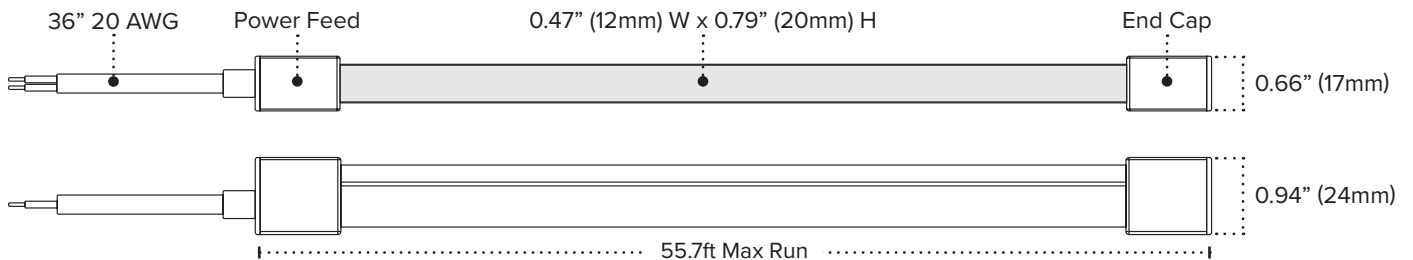


NEONFLEX PRO-L SERIES QUICK SPECS

VOLTAGE	24V DC
WATTAGE	3.05W / ft
LUMENS	Up to 103Lm / ft
CCT OPTIONS	2700K / 3000K / 4000K
CRI	90+
MAX RUN	55.7ft (17m)
CUTTING POINTS	1.97" (50mm)
IP RATING	IP67 - Jacketed
DIMMING	ELV / TRIAC (5-100%)
DIMENSIONS	0.47" (12mm) W x 0.79" (20mm) H
BEAM ANGLE	120°
STORAGE TEMP	-25°C (-13°F) to 60°C (140°F)**
AMBIENT TEMP	-25°C (-13°F) to 45°C (113°F)**
OPERATING TEMP	-25°C (-13°F) to 45°C (113°F)**
CERTIFICATIONS	cULus Listed - Wet Location
RATED LIFE	54,000 Hours

**Do not install in inclement weather or extreme temperature conditions (i.e. -25°C (-13°F) and below). Recommended to order Custom Cut direct from American Lighting for outdoor installations.

NEONFLEX PRO-L SERIES QUICK LOOK

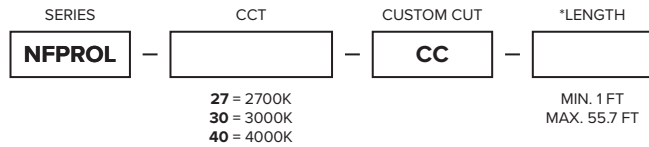


NEONFLEX PRO-L SERIES ORDERING INFORMATION

ITEM NUMBER	VOLTAGE	CCT	LENGTH	LUMENS / FT	WATTAGE / FT	IP RATING	CRI	CUTTING	MAX RUN
NFPROL-27-98	24V DC	2700K	98 ft	91Lm / ft	3.05W / ft	IP67	90+	1.97" (50mm)	55.7 ft
NFPROL-27-CC	24V DC	2700K	Custom Cut	91Lm / ft	3.05W / ft	IP67	90+	1.97" (50mm)	55.7 ft
NFPROL-30-98	24V DC	3000K	98 ft	94Lm / ft	3.05W / ft	IP67	90+	1.97" (50mm)	55.7 ft
NFPROL-30-CC	24V DC	3000K	Custom Cut	94Lm / ft	3.05W / ft	IP67	90+	1.97" (50mm)	55.7 ft
NFPROL-40-98	24V DC	4000K	98 ft	103Lm / ft	3.05W / ft	IP67	90+	1.97" (50mm)	55.7 ft
NFPROL-40-CC	24V DC	4000K	Custom Cut	103Lm / ft	3.05W / ft	IP67	90+	1.97" (50mm)	55.7 ft

98ft Reels Include: Attached 3ft Lead Wire w/ Standard Front Left Feed Connector (NFPROL-CONKIT-2PIN-FRNTL)
 Custom Cuts: Order (1) Power Feed and (1) **NFPRO-CC-ASSEMBLY** Assembly Fee per length of NFPRO

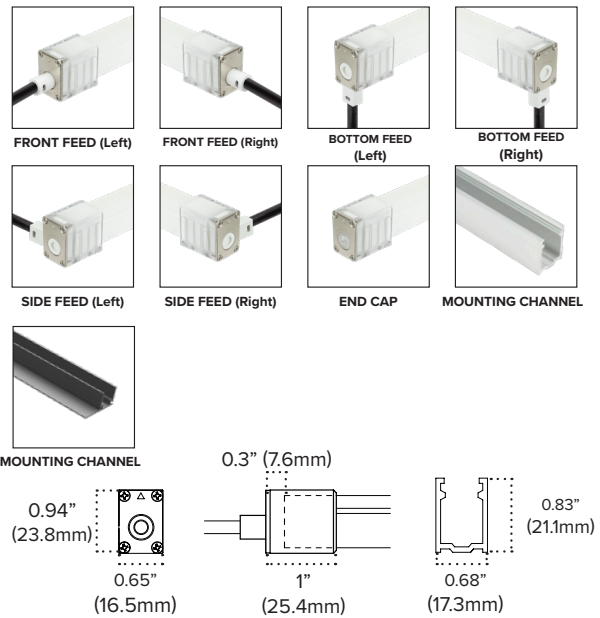
NEONFLEX PRO-L SERIES CUSTOM CUT ORDERING *Custom Cut Orders - Please Allow Up To 2-4 Weeks Order Processing & Delivery*



*Custom Cut Lengths must be calculated in 1.96" increments (Min 1ft / Max. 55.7ft) See pages 3-5 for cut increment guide. Each order should include 1x NFPRO-CC-ASSEMBLY and choice of power feed accessory per cut

NEONFLEX PRO-L SERIES ACCESSORIES

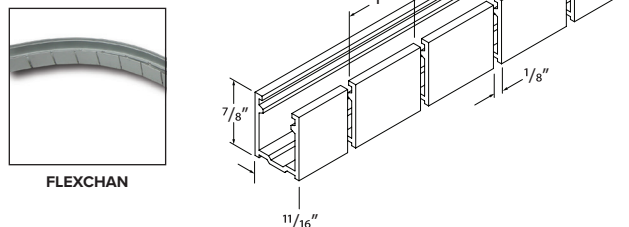
ITEM NUMBER	DESCRIPTION
NFPROL-CONKIT-2PIN-FRNTL	36" Pro-L Power Feed - Front Left (5-pin) w/ End Cap
NFPROL-CONKIT-2PIN-FRNTR	36" Pro-L Power Feed - Front Right (5-pin) w/ End Cap
NFPROL-CONKIT-2PIN-BTTL	36" Pro-L Power Feed - Bottom Left (5-pin) w/ End Cap
NFPROL-CONKIT-2PIN-BTTMR	36" Pro-L Power Feed - Bottom Right (5-pin) w/ End Cap
NFPROL-CONKIT-2PIN-SIDL	36" Pro-L Power Feed - Side Left (5-pin) w/ End Cap
NFPROL-CONKIT-2PIN-SIDR	36" Pro-L Power Feed - Side Right (5-pin) w/ End Cap
NFPROL-CONKIT-NS-2PIN-FRNTL	36" Pro-L, Screwless Power Feed - Front Left (5-pin) w/ End Cap
NFPROL-CONKIT-NS-2PIN-FRNTR	36" Pro-L, Screwless Power Feed - Front Right (5-pin) w/ End Cap
NFPROL-5JUMP6	6" Pro-L Linking Cable - Front Feed (5-pin)
NFPROL-5JUMP12	12" Pro-L Linking Cable - Front Feed (5-pin)
NFPROL-5JUMP24	24" Pro-L Linking Cable - Front Feed (5-pin)
NFPROL-5JUMP36	36" Pro-L Linking Cable - Front Feed (5-pin)
NFPROL-CHAN-1M	PRO-L 1m Aluminum Channel 17.3mm W x 21.1mm H
NFPROL-FCHAN-1M	PRO-L 1m Black Aluminum "F" Channel 17.3mm W x 21.1mm H + 20mm Flange



NEONFLEX PRO-L SERIES SPECIAL ORDER ACCESSORIES

ITEM NUMBER	DESCRIPTION
NFPROL-FLEXCHAN-2M	PRO-L 2m Flexible Aluminum Channel 17.3mm W x 21.1mm H

Special Orders - Please Allow Up To 2-4 Weeks Order Processing & Delivery

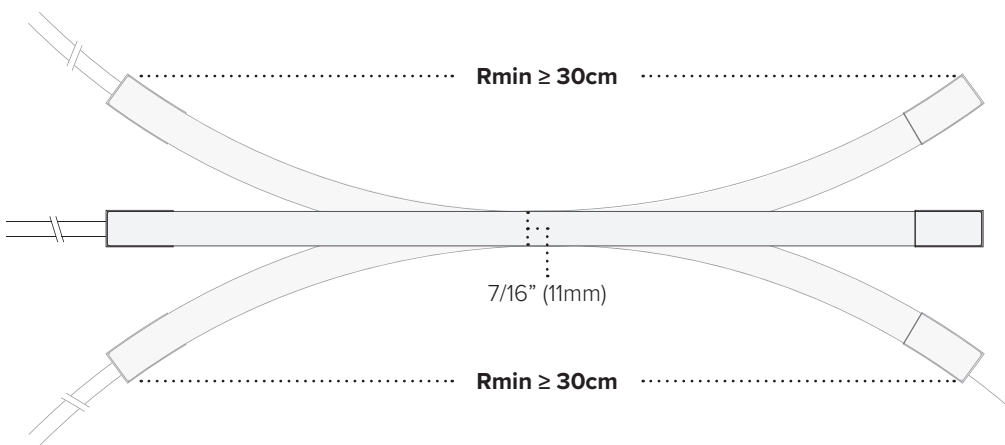
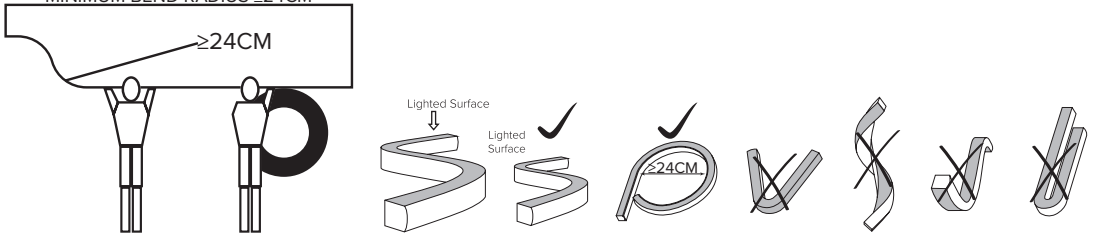


RECOMMENDED POWER SUPPLIES *Phase Dimming Compatible With Most MLV, ELV, and TRIAC Dimmers*

ITEM NUMBER	DESCRIPTION	MAX / MIN LOAD	INPUT VOLTAGE	OUTPUT VOLTAGE	DIMMABLE	DIMENSIONS
ADPT-DRJ-30-24	Adaptive Series 30W	30W / 3W	100-277V AC	24V DC	Yes*	6.49"L x 3.6"W x 1.02"H
ADPT-DRJ-60-24	Adaptive Series 60W	60W / 6W	100-277V AC	24V DC	Yes*	7.4"L x 3.6"W x 1.02"H
ADPT-DRJ-96-24	Adaptive Series 96W	96W / 9.6W	100-277V AC	24V DC	Yes*	8.66"L x 3.6"W x 1.61"H
ADPT-DRJ-192-24	Adaptive Series 192W (2 x 96W)	192W / 19.2W	100-277V AC	24V DC	Yes*	10.94"L x 4.25"W x 1.8"H
ADPT-DRJ-288-24	Adaptive Series 288W (3 x 96W)	288W / 28.8W	100-277V AC	24V DC	Yes*	11.85"L x 4.25"W x 1.8"H

RECOMMENDED HANDLING

2 PERSON INSTALLATION RECOMMENDED
MINIMUM BEND RADIUS ≥24CM



NEONFLEX PRO-L STATIC WHITE CUT INCREMENT GUIDE

Segment	Length (MM)	Length (Inches)	"Length (Feet)"
1	50	1.97	0.16
2	100	3.94	0.33
3	150	5.91	0.49
4	200	7.88	0.66
5	250	9.85	0.82
6	300	11.82	0.99
7	350	13.79	1.15
8	400	15.76	1.31
9	450	17.73	1.48
10	500	19.7	1.64
11	550	21.67	1.81
12	600	23.64	1.97
13	650	25.61	2.13
14	700	27.58	2.30
15	750	29.55	2.46
16	800	31.52	2.63
17	850	33.49	2.79
18	900	35.46	2.96
19	950	37.43	3.12
20	1000	39.4	3.28
21	1050	41.37	3.45
22	1100	43.34	3.61
23	1150	45.31	3.78
24	1200	47.28	3.94
25	1250	49.25	4.10
26	1300	51.22	4.27
27	1350	53.19	4.43
28	1400	55.16	4.60
29	1450	57.13	4.76
30	1500	59.1	4.93
31	1550	61.07	5.09
32	1600	63.04	5.25
33	1650	65.01	5.42
34	1700	66.98	5.58
35	1750	68.95	5.75
36	1800	70.92	5.91
37	1850	72.89	6.07
38	1900	74.86	6.24
39	1950	76.83	6.40
40	2000	78.8	6.57
41	2050	80.77	6.73
42	2100	82.74	6.90
43	2150	84.71	7.06
44	2200	86.68	7.22
45	2250	88.65	7.39
46	2300	90.62	7.55
47	2350	92.59	7.72
48	2400	94.56	7.88
49	2450	96.53	8.04
50	2500	98.5	8.21

Segment	Length (MM)	Length (Inches)	Length (Feet)
51	2550	100.47	8.37
52	2600	102.44	8.54
53	2650	104.41	8.70
54	2700	106.38	8.87
55	2750	108.35	9.03
56	2800	110.32	9.19
57	2850	112.29	9.36
58	2900	114.26	9.52
59	2950	116.23	9.69
60	3000	118.2	9.85
61	3050	120.17	10.01
62	3100	122.14	10.18
63	3150	124.11	10.34
64	3200	126.08	10.51
65	3250	128.05	10.67
66	3300	130.02	10.84
67	3350	131.99	11.00
68	3400	133.96	11.16
69	3450	135.93	11.33
70	3500	137.9	11.49
71	3550	139.87	11.66
72	3600	141.84	11.82
73	3650	143.81	11.98
74	3700	145.78	12.15
75	3750	147.75	12.31
76	3800	149.72	12.48
77	3850	151.69	12.64
78	3900	153.66	12.81
79	3950	155.63	12.97
80	4000	157.6	13.13
81	4050	159.57	13.30
82	4100	161.54	13.46
83	4150	163.51	13.63
84	4200	165.48	13.79
85	4250	167.45	13.95
86	4300	169.42	14.12
87	4350	171.39	14.28
88	4400	173.36	14.45
89	4450	175.33	14.61
90	4500	177.3	14.78
91	4550	179.27	14.94
92	4600	181.24	15.10
93	4650	183.21	15.27
94	4700	185.18	15.43
95	4750	187.15	15.60
96	4800	189.12	15.76
97	4850	191.09	15.92
98	4900	193.06	16.09
99	4950	195.03	16.25
100	5000	197	16.42

Segment	Length (MM)	Length (Inches)	Length (Feet)
101	5050	198.97	16.58
102	5100	200.94	16.75
103	5150	202.91	16.91
104	5200	204.88	17.07
105	5250	206.85	17.24
106	5300	208.82	17.40
107	5350	210.79	17.57
108	5400	212.76	17.73
109	5450	214.73	17.89
110	5500	216.7	18.06
111	5550	218.67	18.22
112	5600	220.64	18.39
113	5650	222.61	18.55
114	5700	224.58	18.72
115	5750	226.55	18.88
116	5800	228.52	19.04
117	5850	230.49	19.21
118	5900	232.46	19.37
119	5950	234.43	19.54
120	6000	236.4	19.70
121	6050	238.37	19.86
122	6100	240.34	20.03
123	6150	242.31	20.19
124	6200	244.28	20.36
125	6250	246.25	20.52
126	6300	248.22	20.69
127	6350	250.19	20.85
128	6400	252.16	21.01
129	6450	254.13	21.18
130	6500	256.1	21.34
131	6550	258.07	21.51
132	6600	260.04	21.67
133	6650	262.01	21.83
134	6700	263.98	22.00
135	6750	265.95	22.16
136	6800	267.92	22.33
137	6850	269.89	22.49
138	6900	271.86	22.66
139	6950	273.83	22.82
140	7000	275.8	22.98
141	7050	277.77	23.15
142	7100	279.74	23.31
143	7150	281.71	23.48
144	7200	283.68	23.64
145	7250	285.65	23.80
146	7300	287.62	23.97
147	7350	289.59	24.13
148	7400	291.56	24.30
149	7450	293.53	24.46
150	7500	295.5	24.63

NEONFLEX PRO-L STATIC WHITE CUT INCREMENT GUIDE

Segment	Length (MM)	Length (Inches)	"Length (Feet)"
151	7550	297.47	24.79
152	7600	299.44	24.95
153	7650	301.41	25.12
154	7700	303.38	25.28
155	7750	305.35	25.45
156	7800	307.32	25.61
157	7850	309.29	25.77
158	7900	311.26	25.94
159	7950	313.23	26.10
160	8000	315.2	26.27
161	8050	317.17	26.43
162	8100	319.14	26.60
163	8150	321.11	26.76
164	8200	323.08	26.92
165	8250	325.05	27.09
166	8300	327.02	27.25
167	8350	328.99	27.42
168	8400	330.96	27.58
169	8450	332.93	27.74
170	8500	334.9	27.91
171	8550	336.87	28.07
172	8600	338.84	28.24
173	8650	340.81	28.40
174	8700	342.78	28.57
175	8750	344.75	28.73
176	8800	346.72	28.89
177	8850	348.69	29.06
178	8900	350.66	29.22
179	8950	352.63	29.39
180	9000	354.6	29.55
181	9050	356.57	29.71
182	9100	358.54	29.88
183	9150	360.51	30.04
184	9200	362.48	30.21
185	9250	364.45	30.37
186	9300	366.42	30.54
187	9350	368.39	30.70
188	9400	370.36	30.86
189	9450	372.33	31.03
190	9500	374.3	31.19
191	9550	376.27	31.36
192	9600	378.24	31.52
193	9650	380.21	31.68
194	9700	382.18	31.85
195	9750	384.15	32.01
196	9800	386.12	32.18
197	9850	388.09	32.34
198	9900	390.06	32.51
199	9950	392.03	32.67
200	10000	394	32.83

Segment	Length (MM)	Length (Inches)	Length (Feet)
201	10050	395.97	33.00
202	10100	397.94	33.16
203	10150	399.91	33.33
204	10200	401.88	33.49
205	10250	403.85	33.65
206	10300	405.82	33.82
207	10350	407.79	33.98
208	10400	409.76	34.15
209	10450	411.73	34.31
210	10500	413.7	34.48
211	10550	415.67	34.64
212	10600	417.64	34.80
213	10650	419.61	34.97
214	10700	421.58	35.13
215	10750	423.55	35.30
216	10800	425.52	35.46
217	10850	427.49	35.62
218	10900	429.46	35.79
219	10950	431.43	35.95
220	11000	433.4	36.12
221	11050	435.37	36.28
222	11100	437.34	36.45
223	11150	439.31	36.61
224	11200	441.28	36.77
225	11250	443.25	36.94
226	11300	445.22	37.10
227	11350	447.19	37.27
228	11400	449.16	37.43
229	11450	451.13	37.59
230	11500	453.1	37.76
231	11550	455.07	37.92
232	11600	457.04	38.09
233	11650	459.01	38.25
234	11700	460.98	38.42
235	11750	462.95	38.58
236	11800	464.92	38.74
237	11850	466.89	38.91
238	11900	468.86	39.07
239	11950	470.83	39.24
240	12000	472.8	39.40
241	12050	474.77	39.56
242	12100	476.74	39.73
243	12150	478.71	39.89
244	12200	480.68	40.06
245	12250	482.65	40.22
246	12300	484.62	40.39
247	12350	486.59	40.55
248	12400	488.56	40.71
249	12450	490.53	40.88
250	12500	492.5	41.04

Segment	Length (MM)	Length (Inches)	Length (Feet)
251	12550	494.47	41.21
252	12600	496.44	41.37
253	12650	498.41	41.53
254	12700	500.38	41.70
255	12750	502.35	41.86
256	12800	504.32	42.03
257	12850	506.29	42.19
258	12900	508.26	42.36
259	12950	510.23	42.52
260	13000	512.2	42.68
261	13050	514.17	42.85
262	13100	516.14	43.01
263	13150	518.11	43.18
264	13200	520.08	43.34
265	13250	522.05	43.50
266	13300	524.02	43.67
267	13350	525.99	43.83
268	13400	527.96	44.00
269	13450	529.93	44.16
270	13500	531.9	44.33
271	13550	533.87	44.49
272	13600	535.84	44.65
273	13650	537.81	44.82
274	13700	539.78	44.98
275	13750	541.75	45.15
276	13800	543.72	45.31
277	13850	545.69	45.47
278	13900	547.66	45.64
279	13950	549.63	45.80
280	14000	551.6	45.97
281	14050	553.57	46.13
282	14100	555.54	46.30
283	14150	557.51	46.46
284	14200	559.48	46.62
285	14250	561.45	46.79
286	14300	563.42	46.95
287	14350	565.39	47.12
288	14400	567.36	47.28
289	14450	569.33	47.44
290	14500	571.3	47.61
291	14550	573.27	47.77
292	14600	575.24	47.94
293	14650	577.21	48.10
294	14700	579.18	48.27
295	14750	581.15	48.43
296	14800	583.12	48.59
297	14850	585.09	48.76
298	14900	587.06	48.92
299	14950	589.03	49.09
300	15000	591	49.25

NEONFLEX PRO-L STATIC WHITE CUT INCREMENT GUIDE

Segment	Length (MM)	Length (Inches)	"Length (Feet)"
301	15050	592.97	49.41
302	15100	594.94	49.58
303	15150	596.91	49.74
304	15200	598.88	49.91
305	15250	600.85	50.07
306	15300	602.82	50.24
307	15350	604.79	50.40
308	15400	606.76	50.56
309	15450	608.73	50.73
310	15500	610.7	50.89
311	15550	612.67	51.06
312	15600	614.64	51.22
313	15650	616.61	51.38
314	15700	618.58	51.55
315	15750	620.55	51.71
316	15800	622.52	51.88
317	15850	624.49	52.04
318	15900	626.46	52.21
319	15950	628.43	52.37
320	16000	630.4	52.53
321	16050	632.37	52.70
322	16100	634.34	52.86
323	16150	636.31	53.03
324	16200	638.28	53.19
325	16250	640.25	53.35
326	16300	642.22	53.52
327	16350	644.19	53.68
328	16400	646.16	53.85
329	16450	648.13	54.01
330	16500	650.1	54.18
331	16550	652.07	54.34
332	16600	654.04	54.50
333	16650	656.01	54.67
334	16700	657.98	54.83
335	16750	659.95	55.00
336	16800	661.92	55.16
337	16850	663.89	55.32
338	16900	665.86	55.49
339	16950	667.83	55.65
340	17000	669.8	55.82



AMERICAN LIGHTING WARRANTY

LIMITED WARRANTY FOR LED PRODUCTS: 3 YEARS

LIMITED PRODUCT WARRANTY

Our products are warranted to be free from defects in material and workmanship for the warranty period listed. Warranty periods begin from the date of shipment from American Lighting Inc's warehouse to the original purchaser. Products that prove to be defective during their specific warranty period will be either repaired or replaced, at the sole discretion of American Lighting Inc. Claims for defective products must be submitted in writing to American Lighting Inc's RGA Department within the warranty period. Upon approval of such return, American Lighting Inc reserves the right to inspect the product for misuse or abuse. Claims for indirect or consequential damages or for product that, in American Lighting Inc's opinion, has been misused will be denied. This is a warranty of product reliability only and not a warranty of merchantability or fitness for a particular purpose. American Lighting Inc shall have no liability whatsoever in any event for payment of incidental or consequential damages, including, without limitations, installation costs and/or damages for personal injury and/or property. These products may represent a possible shock or fire hazard if improperly installed or altered in any way. This warranty does not apply to any product that has not been properly installed in accordance with current local codes and/or the National Electrical Code. Products that require a transformer, driver, or power supply must be used in conjunction with American Lighting Inc's recommended power supply to ensure safety and retain product warranty.

PRODUCT SPECIFICATIONS

For the latest product information, updates, instructions and details concerning specifications, colors, finishes, performance, installation and design, visit www.americanlighting.com. Color may vary from the color printed herein due to limitations in photographic and printing processes. American Lighting Inc. reserves the right to change product specifications without notice. Other product specifications such as color temperature, wavelength characteristics and lumen output are subject to production limitations and may vary. LED technology is changing rapidly, and not all color temperatures and performance levels can be duplicated at a later time. Best practices include purchasing 10-15% more for a particular project on the same initial order where white LED color temperatures must be maintained over project and product life. Eventual product replacement should be considered at layout and design stages. Best practices also include testing connections and product performance prior to mounting and/or installing.

AVERAGE LIFE

Average incandescent lamp life, rated life and average life are terms used to describe the number of hours at which half of the lamps have failed. For LEDs, the hours of rated life specify the point where 70% of original lumen output is reached. Below this point, the effective life is over, however, the LED may still emit light. Individual results may vary with actual environmental conditions including, but not limited to, proper installation, ambient temperature and/or input voltage fluctuations.