

# WIRELESS DMX TRANSCEIVER

## Wireless DMX Transceiver

Enhance lighting scene control with wireless DMX512 technology. Emit control over either DMX console and lights or from light to light. Featuring communication distance over 350m, and automatic frequency hopping, the Wireless DMX Transceiver functions as either an emitter or a receiver for DMX512 data. Seamlessly control and remotely synchronize lighting scenes across a number of DMX controlled devices. Use the Wireless DMX Receiver to achieve relay points, and extend the communication distance to meet design needs.

- Transfers DMX512 protocol wirelessly via 2.4 Ghz frequency
- Supports point-to-point and point-to-multipoint communication
- Works with CTRL-WDMX series controls and DMX decoders
- 350M control distance (uninterrupted)
- Fuse relay settings or connect to booster antenna to further the communication distance.
- Requires 5-24V DC input and auxiliary DMX controller for operation



PROJECT: \_\_\_\_\_

TYPE: \_\_\_\_\_

LOCATION: \_\_\_\_\_

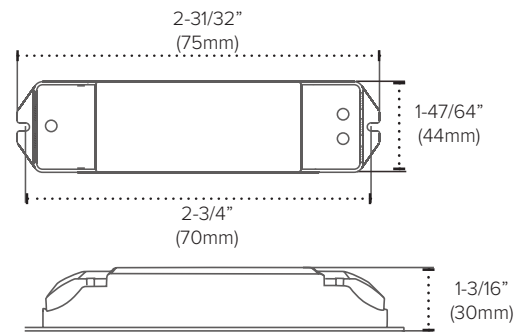
CATALOG NUMBER: \_\_\_\_\_



### WIRELESS DMX TRANSCEIVER QUICK SPECS

<b>INPUT VOLTAGE</b>	5-24V DC
<b>FREQUENCY</b>	2.4 Ghz
<b>OUTPUT</b>	DMX 512 signal
<b>OPERATING TEMP</b>	-30°C to 55°C (-22°F to 131°F)
<b>RATING</b>	FCC Compliant; RoHS Compliant; dry locations

### WIRELESS DMX TRANSCEIVER QUICK DIMENSIONS



### WIRELESS DMX TRANSCEIVER ORDERING INFORMATION

ITEM NUMBER	DESCRIPTION	VOLTAGE	OUTPUT	RATING
<b>CTRL-WDMX-TRNRCV</b>	DMX Signal Transceiver	5-24V	DMX 512	FCC Compliant; RoHS Compliant; dry locations

Transceiver can be powered from secondary side of 12-24V DC driver being used to power the decoder.

### RECOMMENDED DECODERS

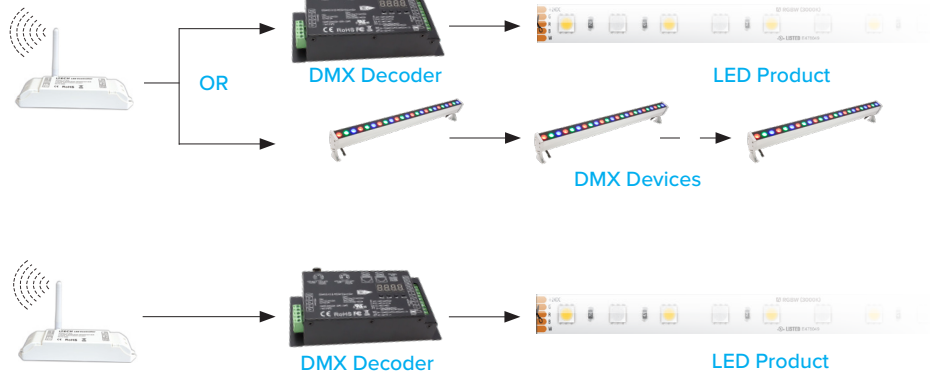
PART NUMBER	DESCRIPTION	APPLICATION	INPUT	CURRENT	OUTPUT
<b>REC-DMX-5A-4Z</b>	DMX 4-Channel Decoder	Dry location	12-24V DC	4x5A	4x(60-180W)
<b>REC-DMX-RJ45-5CH</b>	DMX 5-Channel Decoder	Dry location	12-24V DC	5x8A	5x(96-192W)
<b>REC-DMX-RJ45-3X4CH</b>	DMX 3 Port 4-Channel Decoder	Dry location	12-24V DC	12(3x4)x5A	12x(60-120W)
<b>DEC-DMX-IP67</b>	DMX 4 Channel IP67 Decoder	Wet location	12-24V DC	4x5A	4x(60-180W)

**WIRELESS DMX TRANCEIVER QUICK SET-UP**

Wireless Transmission



DMX512 Control



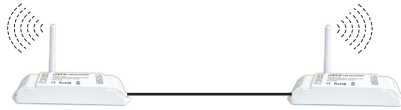
**WIRELESS DMX TRANCEIVER QUICK SET-UP**



Sending



DMX512 Control



Relay Point

Frequency Point B



Receiving

**WIRELESS DMX SIGNAL ATTENUATION**

All claims related to signal distance are based on clear line of sight. Any obstacles impeding direct line of sight will significantly reduce the effective distance of the product. Increasing density and thickness of obstacles will further decrease the signal distance.

**Material Interference Table**

MATERIAL	POTENTIAL FOR RANGE REDUCTION
Wood	Low
Glass	Low
Brick	Medium
Marble	Medium
Plaster	High
Concrete	High
Metal	Very High

Best practices/troubleshooting tactics include:

- Devices using the same RF band can interfere with each other’s communication. Though they cannot communicate directly, they may be able to inject noise into another system. If you experience this, the best practice is move the inadvertent receiver(s)/ transmitter(s) to an alternate location or to place a barrier between the inadvertent receiver(s)/transmitter(s).
- If a receiver must be moved out of sight, make sure that the receiver is not fully enclosed and that the receiver is placed as close to the opening as possible. The signal will be able to be reflected around a corner at reduced strength.
- If an antenna is used, the signal is strongest in directions perpendicular to the direction the antenna is pointing.
- A cellphone camera can be used to test if an IR remote is transmitting a signal. Even though the infrared band is invisible to humans, the cellphone camera will pick up the IR light and display it on the screen as either a red or white light. If pressing a button does not show a light on the cellphone screen, the batteries are most likely dead and need to be replaced.



# AMERICAN LIGHTING WARRANTY

## LIMITED WARRANTY FOR LED PRODUCTS: 3 YEARS

### LIMITED PRODUCT WARRANTY

Our products are warranted to be free from defects in material and workmanship for the warranty period listed. Warranty periods begin from the date of shipment from American Lighting Inc's warehouse to the original purchaser. Products that prove to be defective during their specific warranty period will be either repaired or replaced, at the sole discretion of American Lighting Inc. Claims for defective products must be submitted in writing to American Lighting Inc's RGA Department within the warranty period. Upon approval of such return, American Lighting Inc reserves the right to inspect the product for misuse or abuse. Claims for indirect or consequential damages or for product that, in American Lighting Inc's opinion, has been misused will be denied. This is a warranty of product reliability only and not a warranty of merchantability or fitness for a particular purpose. American Lighting Inc shall have no liability whatsoever in any event for payment of incidental or consequential damages, including, without limitations, installation costs and/or damages for personal injury and/or property. These products may represent a possible shock or fire hazard if improperly installed or altered in any way. This warranty does not apply to any product that has not been properly installed in accordance with current local codes and/or the National Electrical Code. Products that require a transformer, driver, or power supply must be used in conjunction with American Lighting Inc's recommended power supply to ensure safety and retain product warranty.

### PRODUCT SPECIFICATIONS

For the latest product information, updates, instructions and details concerning specifications, colors, finishes, performance, installation and design, visit [www.americanlighting.com](http://www.americanlighting.com). Color may vary from the color printed herein due to limitations in photographic and printing processes. American Lighting Inc. reserves the right to change product specifications without notice. Other product specifications such as color temperature, wavelength characteristics and lumen output are subject to production limitations and may vary. LED technology is changing rapidly, and not all color temperatures and performance levels can be duplicated at a later time. Best practices include purchasing 10-15% more for a particular project on the same initial order where white LED color temperatures must be maintained over project and product life. Eventual product replacement should be considered at layout and design stages. Best practices also include testing connections and product performance prior to mounting and/or installing.

### AVERAGE LIFE

Average incandescent lamp life, rated life and average life are terms used to describe the number of hours at which half of the lamps have failed. For LEDs, the hours of rated life specify the point where 70% of original lumen output is reached. Below this point, the effective life is over, however, the LED may still emit light. Individual results may vary with actual environmental conditions including, but not limited to, proper installation, ambient temperature and/or input voltage fluctuations.