

## 0-10V DIMMING 100W DRIVER

### 24V DC Class 2 Dimming Driver

This Class 2 CCV-DR100 0-10V DC dimming driver features a dual mode constant voltage and constant current output. Featuring a metal housing with Class I design which allows it to operate with case temperatures from -40°F to 194°F under free air convection. Standard built-in protections include short circuit, over-current, over-voltage, and over temperature. The metal housing carries an IP65 ingress protection allowing it to be used in both indoor and outdoor applications, with type HL rating for hazardous location use.

- Constant voltage + Constant current modes
- 3-in-1 dimming capable: 1~10V DC, 10V PWM and resistance dimming
- Maximum wattage output up to 100W
- Built-in active Power Factor Correction (PFC)
- Class 2 design and IP65 rating
- Auto-reset protection for short circuit and over-voltage
- cURus Recognized to UL8750 Standard “Type HL”



PROJECT:

TYPE:

LOCATION:

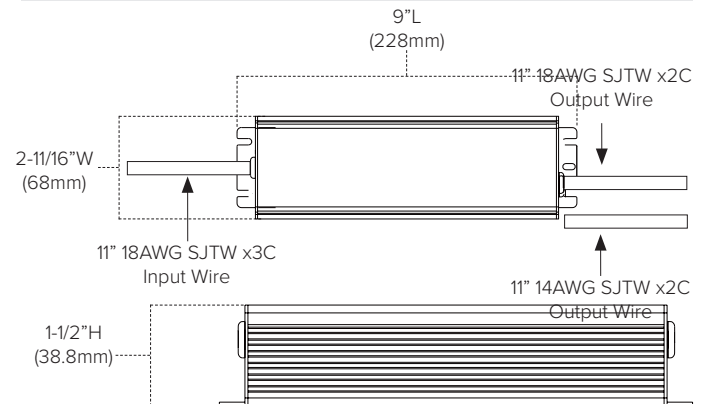
CATALOG NUMBER:



#### 0-10V DIMMING 100W DRIVER QUICK SPECS

<b>SERIES</b>	CCV 100W
<b>INPUT VOLTAGE</b>	90-305V AC, 47~63Hz
<b>OUTPUT VOLTAGE</b>	24V DC
<b>MIN LOAD</b>	1W (non-dimming); 40W (dimming)
<b>MAX LOAD</b>	100W
<b>INPUT WIRE</b>	11" 18AWG SJTW x3C
<b>OUTPUT WIRE</b>	11" 18AWG SJTW x2C or 11" 14AWG x2C
<b>POWER FACTOR</b>	≥0.98/115V AC, ≥0.95/230V AC, ≥0.92/277V AC at full load
<b>EFFICIENCY</b>	93%
<b>DIMENSIONS</b>	9"L x 2-11/16"W x 1-1/2"H
<b>DIMMING</b>	1~10V DC, 10V PWM signal, and resistance
<b>OPERATING TEMP</b>	-40°F to 194°F (-40°C - 90°C)
<b>RATING</b>	cURus Recognized (wet or dry locations), IP65, Class 2

#### 0-10V DIMMING 100W DRIVER QUICK DIMENSIONS



**0-10V DIMMING 100W DRIVER ORDERING INFORMATION**

ITEM NUMBER	DESCRIPTION	INPUT VOLTAGE	OUTPUT VOLTAGE	MIN LOAD	MAX LOAD
CCV-DR100-24	CCV 24V DC - 100W 0-10VDC Dimmable Driver	90-305V AC	24V DC	1W(non-dimming)/40W(dimming)	100W

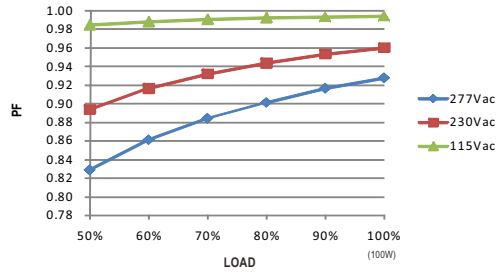
Special order only. Please allow up to 2 weeks for order processing.

**0-10V DIMMING 100W DRIVER ADDITIONAL INFO**

**POWER FACTOR(PF) CHARACTERISTIC**

※Tcase at 80°C

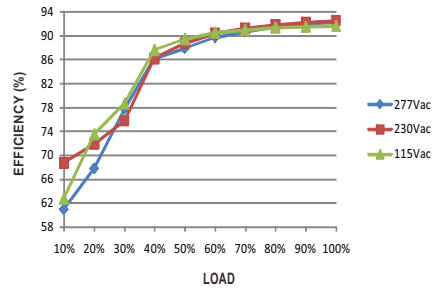
Constant Current Mode



**EFFICIENCY vs LOAD**

HLG-100H series possess superior working efficiency that up to 93% can be reached in field applications.

※ 48V Model, Tcase at 80°C





# AMERICAN LIGHTING WARRANTY

## LIMITED WARRANTY FOR LED PRODUCTS: 2 YEARS

### LIMITED PRODUCT WARRANTY

Our products are warranted to be free from defects in material and workmanship for the warranty period listed. Warranty periods begin from the date of shipment from American Lighting Inc's warehouse to the original purchaser. Products that prove to be defective during their specific warranty period will be either repaired or replaced, at the sole discretion of American Lighting Inc. Claims for defective products must be submitted in writing to American Lighting Inc's RGA Department within the warranty period. Upon approval of such return, American Lighting Inc reserves the right to inspect the product for misuse or abuse. Claims for indirect or consequential damages or for product that, in American Lighting Inc's opinion, has been misused will be denied. This is a warranty of product reliability only and not a warranty of merchantability or fitness for a particular purpose. American Lighting Inc shall have no liability whatsoever in any event for payment of incidental or consequential damages, including, without limitations, installation costs and/or damages for personal injury and/or property. These products may represent a possible shock or fire hazard if improperly installed or altered in any way. This warranty does not apply to any product that has not been properly installed in accordance with current local codes and/or the National Electrical Code. Products that require a transformer, driver, or power supply must be used in conjunction with American Lighting Inc's recommended power supply to ensure safety and retain product warranty.

### PRODUCT SPECIFICATIONS

For the latest product information, updates, instructions and details concerning specifications, colors, finishes, performance, installation and design, visit [www.americanlighting.com](http://www.americanlighting.com). Color may vary from the color printed herein due to limitations in photographic and printing processes. American Lighting Inc. reserves the right to change product specifications without notice. Other product specifications such as color temperature, wavelength characteristics and lumen output are subject to production limitations and may vary. LED technology is changing rapidly, and not all color temperatures and performance levels can be duplicated at a later time. Best practices include purchasing 10-15% more for a particular project on the same initial order where white LED color temperatures must be maintained over project and product life. Eventual product replacement should be considered at layout and design stages. Best practices also include testing connections and product performance prior to mounting and/or installing.

### AVERAGE LIFE

Average incandescent lamp life, rated life and average life are terms used to describe the number of hours at which half of the lamps have failed. For LEDs, the hours of rated life specify the point where 70% of original lumen output is reached. Below this point, the effective life is over, however, the LED may still emit light. Individual results may vary with actual environmental conditions including, but not limited to, proper installation, ambient temperature and/or input voltage fluctuations.