

LED BRICK LIGHT

100-277V 3000K Recessed Light

Line voltage (100-277V) version of the classic brick light with Warm White LEDs available in one style and two finishes. Metal rough-in housing has integrated rubber gasket, threaded knockouts and built-in ground wire. Two faceplate options are available. Each includes an Allen/hex wrench and tamper proof screws for vandal resistance, and matching screw covers for a finished look.

- Die-cast zinc-magnesium rough-in housing with durable painted finish and three 1/2" NPS knock-outs with plugs
- Sturdy plastic, fully sealed light module with built-in driver for AC input
- 3000K color temperature
- Choose from a classic faceplate style in two popular finishes
- Durable cast zinc-magnesium faceplate with powder coated finish (plated for stainless steel)
- cETLus Listed
- 30,000 hours rated life



PROJECT:
TYPE:
LOCATION:
CATALOG NUMBER:



BRICK LIGHT ROUGH-IN HOUSING



BRICK LIGHT LED MODULE



HORIZONTAL LOUVER STAINLESS



HORIZONTAL LOUVER DARK BRONZE

BRICK LIGHT SERIES QUICK SPECS

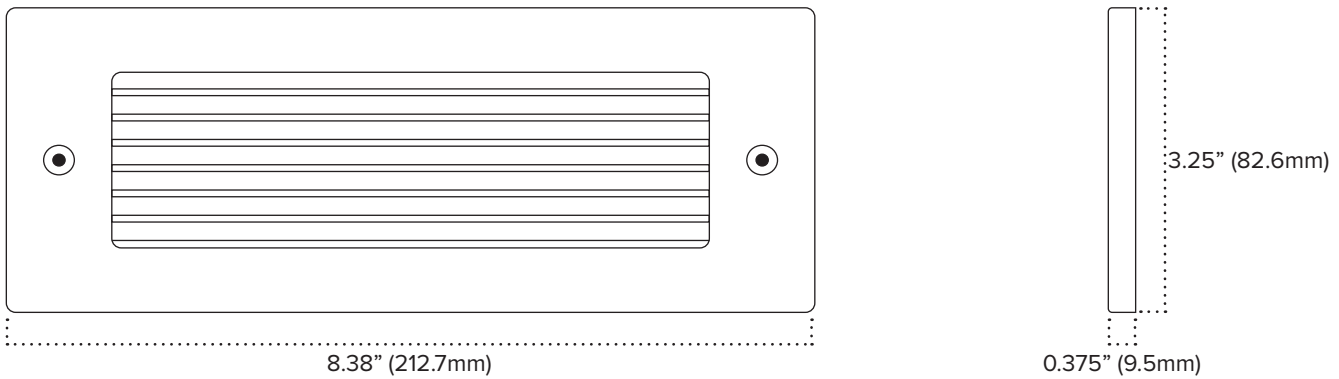
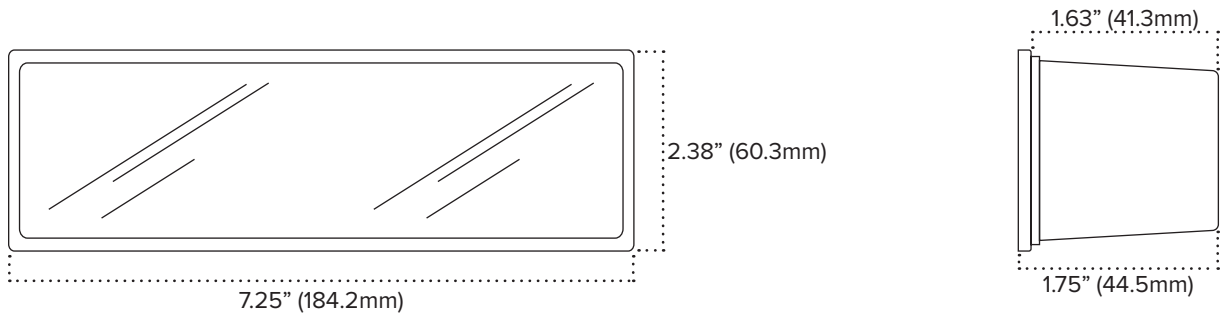
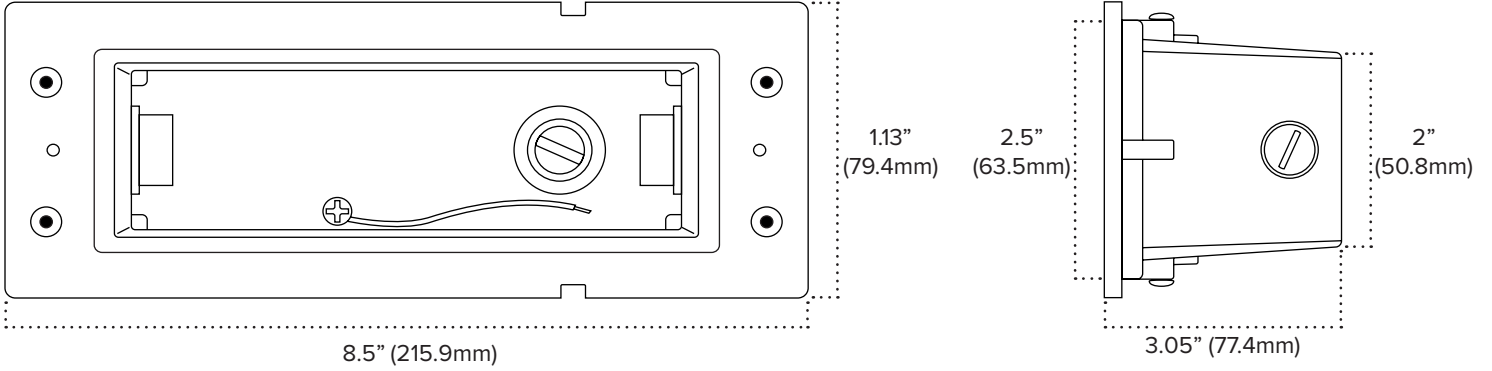
VOLTAGE	100-277V AC, 60Hz
WATTAGE	2W @120V / 3.3W @277V
LUMENS	135Lm (Light Module)
CCT OPTIONS	3000K
CRI	70+
BEAM ANGLE	N/A
MOUNTING	Recessed Mount
RATING	cETLus Listed (Wet Location)
DIMMING	Non-Dimmable
OPERATING TEMP	-10°C (14°F) to 60°C (140°F)
RATED LIFE	30,000 Hours

BRICK LIGHT SERIES ORDERING INFORMATION

ITEM NUMBER	STYLE	WATTAGE	LUMENS	CCT
BB2-LED-WW	Brick Light Module	3W	135Lm	3000K
BB2-HSG	Rough-In Housing (required)	N/A	N/A	N/A
BB2-HL-SS	Horizontal Louver Faceplate - Stainless Steel	N/A	N/A	N/A
BB2-HL-DB	Horizontal Louver Faceplate - Dark Bronze	N/A	N/A	N/A

BRICK LIGHT SERIES DIMENSIONS

BRICK LIGHT





AMERICAN LIGHTING WARRANTY

LIMITED WARRANTY FOR LED PRODUCTS: 3 YEARS

LIMITED PRODUCT WARRANTY

Our products are warranted to be free from defects in material and workmanship for the warranty period listed. Warranty periods begin from the date of shipment from American Lighting Inc's warehouse to the original purchaser. Products that prove to be defective during their specific warranty period will be either repaired or replaced, at the sole discretion of American Lighting Inc. Claims for defective products must be submitted in writing to American Lighting Inc's RGA Department within the warranty period. Upon approval of such return, American Lighting Inc reserves the right to inspect the product for misuse or abuse. Claims for indirect or consequential damages or for product that, in American Lighting Inc's opinion, has been misused will be denied. This is a warranty of product reliability only and not a warranty of merchantability or fitness for a particular purpose. American Lighting Inc shall have no liability whatsoever in any event for payment of incidental or consequential damages, including, without limitations, installation costs and/or damages for personal injury and/or property. These products may represent a possible shock or fire hazard if improperly installed or altered in any way. This warranty does not apply to any product that has not been properly installed in accordance with current local codes and/or the National Electrical Code. Products that require a transformer, driver, or power supply must be used in conjunction with American Lighting Inc's recommended power supply to ensure safety and retain product warranty.

PRODUCT SPECIFICATIONS

For the latest product information, updates, instructions and details concerning specifications, colors, finishes, performance, installation and design, visit www.americanlighting.com. Color may vary from the color printed herein due to limitations in photographic and printing processes. American Lighting Inc. reserves the right to change product specifications without notice. Other product specifications such as color temperature, wavelength characteristics and lumen output are subject to production limitations and may vary. LED technology is changing rapidly, and not all color temperatures and performance levels can be duplicated at a later time. Best practices include purchasing 10-15% more for a particular project on the same initial order where white LED color temperatures must be maintained over project and product life. Eventual product replacement should be considered at layout and design stages. Best practices also include testing connections and product performance prior to mounting and/or installing.

AVERAGE LIFE

Average incandescent lamp life, rated life and average life are terms used to describe the number of hours at which half of the lamps have failed. For LEDs, the hours of rated life specify the point where 70% of original lumen output is reached. Below this point, the effective life is over, however, the LED may still emit light. Individual results may vary with actual environmental conditions including, but not limited to, proper installation, ambient temperature and/or input voltage fluctuations.