

ADVANTAGE DIRECT SELECT

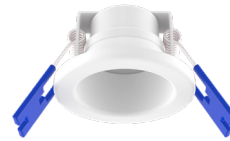
Selectable 5CCT Remodel Downlight

The Advantage Direct Select 5CCT downlight offers 5 selectable color temperatures in one compact package. The selectable CCT switch is located on the back of the downlight housing and can be adjusted on the fly. This feature is also beneficial when it comes time to remodel providing a simple way to update lighting to match a new color scheme or design.

- Excellent color rendering (90+ CRI)
- Aluminum housing with polycarbonate lens
- Five selectable color temperatures:
2700K / 3000K / 3500K / 4000K / 5000K
- Lumen output up to 1950 Lumens
- Available in 2", 4", 6" and 8" sizes
- Dimmable with most TRIAC dimmers
- Spring loaded mounting clips
- Type IC and cETLus Listed for wet locations
- 50,000 hours rated life
- ENERGY STAR Certified and JA8 Compliant



| |
|-----------------|
| PROJECT: |
| TYPE: |
| LOCATION: |
| CATALOG NUMBER: |



AD2RE-5CCT



AD4RE-5CCT



AD6RE-5CCT



AD8RE-5CCT

ADVANTAGE DIRECT SELECT SERIES QUICK SPECS

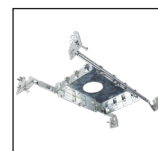
| | |
|-----------------------|---|
| VOLTAGE | 120V AC, 60Hz |
| WATTAGE | 5.5W / 10W / 15W / 25W |
| LUMENS | See Ordering Information |
| CCT OPTIONS | 2700K / 3000K / 3500K / 4000K / 5000K |
| CRI | 90+ |
| MOUNTING | Recessed mount |
| DIMMING | TRIAC (10 - 100%) |
| BEAM ANGLE | 37° (AD2RE) / 95° (AD4RE, AD6RE, AD8RE) |
| OPERATING TEMP | -20°C (-4°F) to 40°C (104°F) |
| CERTIFICATIONS | Type IC; cETLus Listed - Wet Location |
| RATED LIFE | 50,000 Hours |

ADVANTAGE DIRECT SELECT ORDERING INFORMATION

| ITEM NUMBER | SIZE | FINISH | VOLTAGE | CCT | CRI | LM @ 27 | LM @ 30 | LM @ 35 | LM @ 40 | LM @ 50 | WATTAGE | DIMMING |
|---------------|------|--------|---------|-------|-----|---------|---------|---------|---------|---------|---------|---------|
| AD2RE-5CCT-WH | 2" | White | 120V | 5-CCT | 90+ | 400 | 420 | 470 | 470 | 460 | 5.5W | TRIAC |
| AD4RE-5CCT-WH | 4" | White | 120V | 5-CCT | 90+ | 750 | 850 | 850 | 900 | 880 | 10W | TRIAC |
| AD6RE-5CCT-WH | 6" | White | 120V | 5-CCT | 90+ | 1100 | 1200 | 1200 | 1280 | 1200 | 15W | TRIAC |
| AD8RE-5CCT-WH | 8" | White | 120V | 5-CCT | 90+ | 1600 | 1850 | 1950 | 1900 | 1950 | 25W | TRIAC |

ADVANTAGE DIRECT SELECT ACCESSORIES

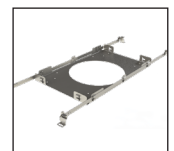
| ITEM NUMBER | DESCRIPTION |
|-------------|--|
| RP-H-E2 | 2" New Construction Rough-in Plate with Hanger Bars |
| RP-2/4/6 | 4"/6" New Construction Rough-in Plate with Hanger Bars |
| RP-EM8 | 8" New Construction Rough-in Plate with Hanger Bars |



RP-H-E2



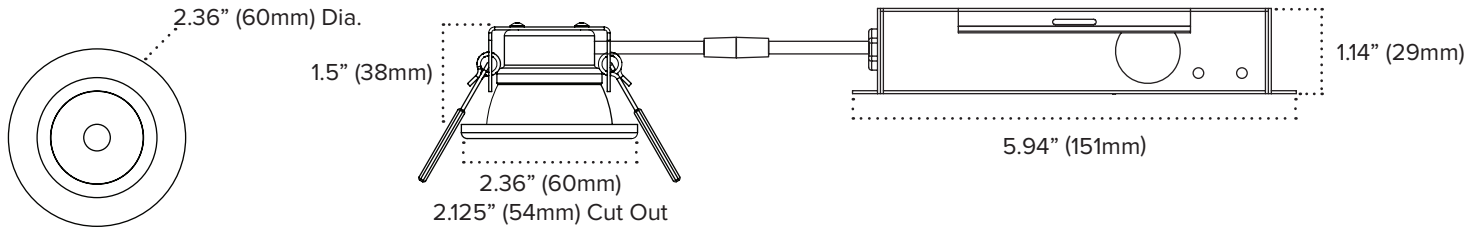
RP-2/4/6



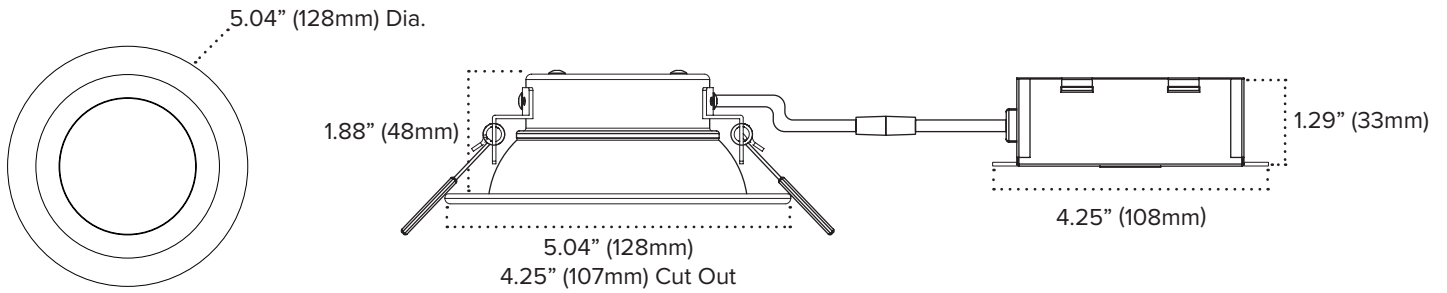
RP-EM8

ADVANTAGE DIRECT SELECT DIMENSIONS

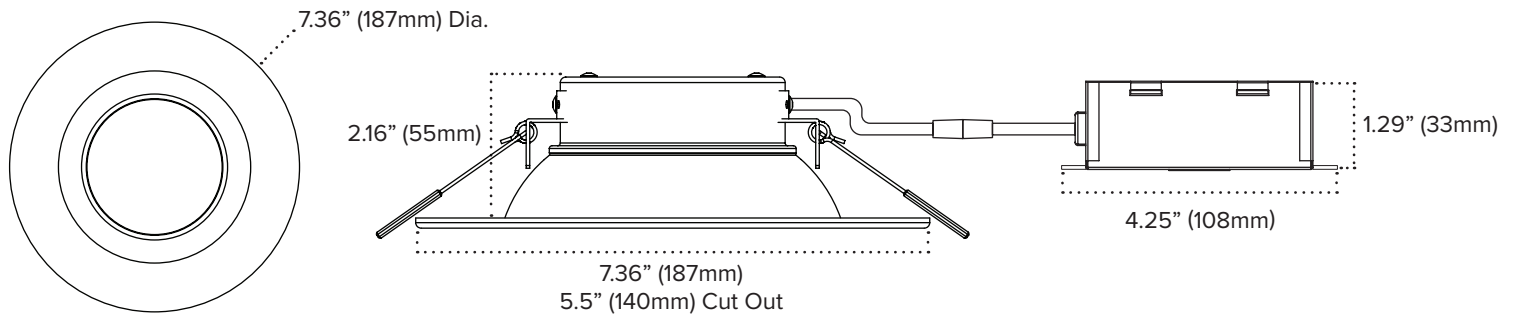
AD2RE-5CCT



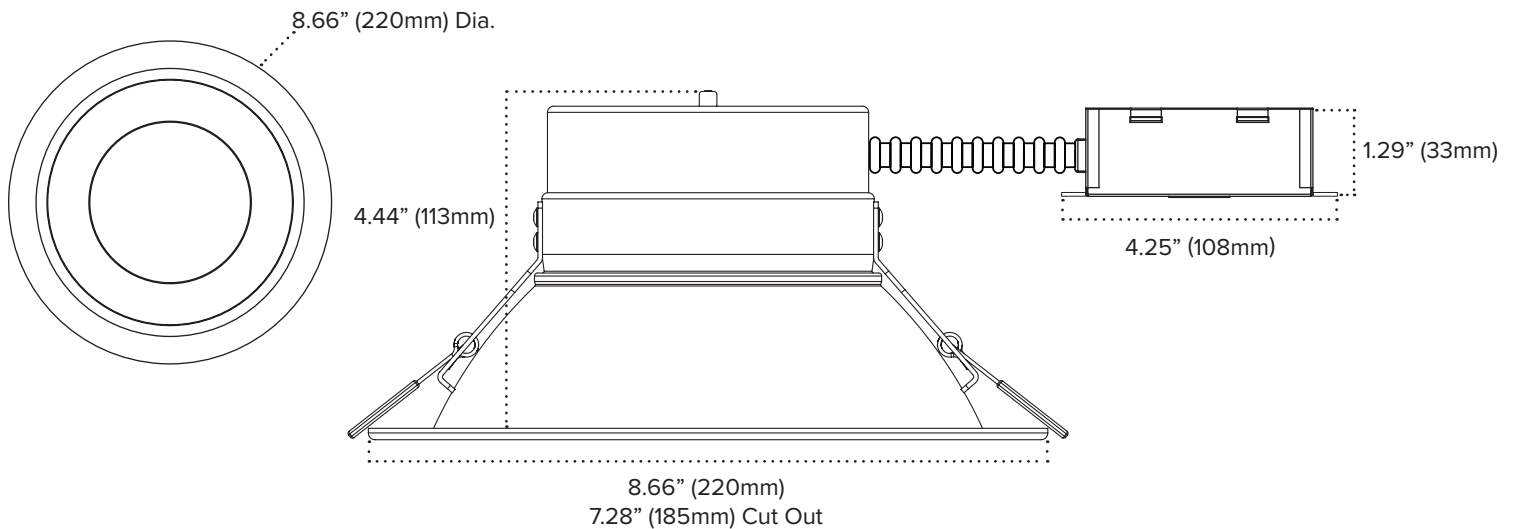
AD4RE-5CCT



AD6RE-5CCT



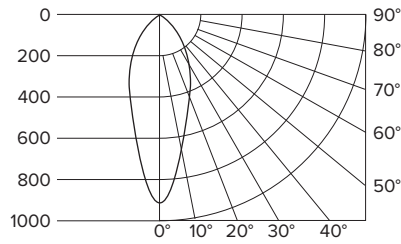
AD8RE-5CCT



ADVANTAGE DIRECT SELECT PHOTOMETRICS

AD2RE

| | |
|--------------------|----------------------|
| PART NUMBER | AD2RE-5CCT-WH |
| BEAM SPREAD | 37° |
| LUMENS | 477Lm |
| WATTAGE | 5.5W |
| EFFICACY | 86.7Lm per watt |
| CCT | @4000K |
| CRI | 90 |

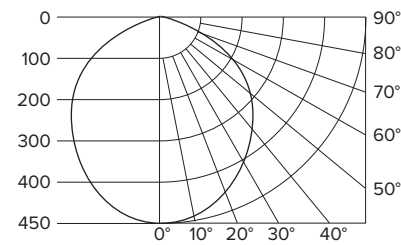


| Avg. Foot Candles | Beam Dia. |
|-------------------|-----------|
| 19.8 | 3.3' |
| 13.7 | 4.0' |
| 10.1 | 4.7' |
| 7.7 | 5.4' |
| 6.1 | 6.0' |
| 4.9 | 6.7' |

Distance From Light

AD4RE

| | |
|--------------------|----------------------|
| PART NUMBER | AD4RE-5CCT-WH |
| BEAM SPREAD | 96° |
| LUMENS | 938Lm |
| WATTAGE | 10W |
| EFFICACY | 93.8Lm per watt |
| CCT | @4000K |
| CRI | 90 |

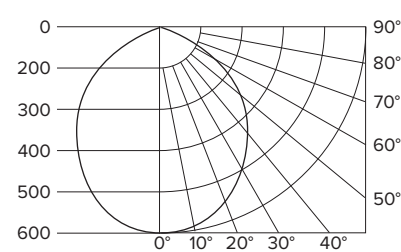


| Avg. Foot Candles | Beam Dia. |
|-------------------|-----------|
| 6.7 | 11.1' |
| 4.7 | 13.3' |
| 3.4 | 15.5' |
| 2.6 | 17.8' |
| 2.1 | 20.0' |
| 1.7 | 22.2' |

Distance From Light

AD6RE

| | |
|--------------------|----------------------|
| PART NUMBER | AD6RE-5CCT-WH |
| BEAM SPREAD | 96.5° |
| LUMENS | 1343Lm |
| WATTAGE | 14.3W |
| EFFICACY | 93.9Lm per watt |
| CCT | @4000K |
| CRI | 90 |

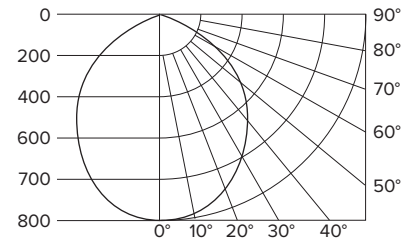


| Avg. Foot Candles | Beam Dia. |
|-------------------|-----------|
| 9.5 | 11.2' |
| 6.6 | 13.4' |
| 4.9 | 15.7' |
| 3.7 | 17.9' |
| 2.9 | 20.2' |
| 2.4 | 22.4' |

Distance From Light

AD8RE

| | |
|--------------------|----------------------|
| PART NUMBER | AD8RE-5CCT-WH |
| BEAM SPREAD | 94° |
| LUMENS | 1975Lm |
| WATTAGE | 25W |
| EFFICACY | 79Lm per watt |
| CCT | @4000K |
| CRI | 90 |



| Avg. Foot Candles | Beam Dia. |
|-------------------|-----------|
| 15.3 | 10.7' |
| 10.6 | 12.9' |
| 7.8 | 15.0' |
| 6.0 | 17.2' |
| 4.7 | 19.3' |
| 3.8 | 21.4' |

Distance From Light

ADVANTAGE DIRECT SELECT SERIES 2" RECOMMENDED DIMMERS

| BRAND | MODEL # | MAX CURRENT OUT (MA) | MIN CURRENT IN (MA) | DIMMING RANGE (%) |
|---------|----------------|----------------------|---------------------|-------------------|
| Lutron | CTCL-153P | 134.4 | 0.47 | 0.3-97 |
| Lutron | MACL-153MR-WH | 133.3 | 5.37 | 3.8-96.2 |
| Lutron | SCL-153P | 134.4 | 0 | 0-97 |
| Leviton | CL-6674 | 135.4 | 9.14 | 6.5-97.7 |
| Lutron | TG-600PH-LA | 135 | 8.87 | 6.4-97.5 |
| Leviton | CL-6683 | 138.5 | 0 | 0-100 |
| Leviton | IPL06 | 135.5 | 2.24 | 1.6-97.8 |
| Lutron | DGCL-153P | 134.5 | 0.06 | 0.04-97.1 |
| Lutron | DVCL-153P | 134.5 | 4.12 | 2.9-98.9 |
| Leviton | CL-6672 | 137 | 12.9 | 9.3-98.7 |
| Lutron | SLV-600P-IV | 136.7 | 0.33 | 0.2-98.7 |
| Lutron | MACL-153ME | 134.8 | 16.81 | 12.1-97.3 |
| Lutron | DVSCSELV-300P | 137.3 | 11.04 | 7.9-99.1 |
| Lutron | SELV300P-WH | 137.9 | 10.93 | 7.9-99.5 |
| Lutron | DV-600P | 136.6 | 0.04 | 0.02-98.6 |
| Lutron | DVELV-300P-WH | 137.3 | 10.7 | 7.7-99.1 |
| Lutron | SELV303P-WH | 138.2 | 11.19 | 8-99.7 |
| Lutron | DVWCL-153PH-WH | 137.2 | 5.19 | 3.7-99.0 |
| Leviton | 6674-10W | 135.7 | 19.45 | 14-97.9 |

Dimmer performance may vary in field application due to unknown external factors. Dimmers not included on the chart above are not necessarily incompatible; they have yet to be fully evaluated. Please reference dimmer manufacturer's instructions for more detailed information regarding performance and compatibility. Test data listed above is based on single lamp data. Recommended maximum 10 units connected to a single dimmer.

ADVANTAGE DIRECT SELECT SERIES 4" RECOMMENDED DIMMERS

| BRAND | MODEL # | MAX CURRENT OUT (MA) | MIN CURRENT IN (MA) | DIMMING RANGE (%) |
|---------|----------------|----------------------|---------------------|-------------------|
| Lutron | CTCL-153P | 249.7 | 3.9 | 1.5-99.8 |
| Lutron | MACL-153MR-WH | 237.8 | 13.38 | 5.3-95.1 |
| Lutron | SCL-153P | 248.9 | 1.05 | 0.4-99.5 |
| Leviton | CL-6674 | 249.5 | 16.52 | 6.6-99.8 |
| Lutron | TG-600PH-LA | 249.5 | 23.74 | 9.4-99.8 |
| Leviton | CL-6683 | 249.7 | 0 | 0-99.8 |
| Leviton | IPL06 | 249.2 | 1.81 | 0.7-99.6 |
| Lutron | DGCL-153P | 249.8 | 2.58 | 1.0-99.9 |
| Lutron | DVCL-153P | 249.7 | 10.88 | 4.3-99.8 |
| Leviton | CL-6672 | 249.8 | 30.85 | 12.3-99.9 |
| Lutron | SLV-600P-IV | 249.8 | 7.05 | 2.8-99.9 |
| Lutron | MACL-153ME | 250 | 27.9 | 11.1-100 |
| Lutron | DVSCSELV-300P | 250 | 18.16 | 7.2-100 |
| Lutron | SELV300P-WH | 248.2 | 18.22 | 7.2-99.2 |
| Lutron | DV-600P | 249.8 | 5.45 | 2.1-99.1 |
| Lutron | DVELV-300P-WH | 247.9 | 17.7 | 7.0-99.1 |
| Lutron | SELV303P-WH | 248.2 | 18 | 7.2-99.2 |
| Lutron | DVWCL-153PH-WH | 248.3 | 9.7 | 3.9-99.3 |
| Leviton | 6674-10W | 250 | 36.2 | 14.5-100 |

Dimmer performance may vary in field application due to unknown external factors. Dimmers not included on the chart above are not necessarily incompatible; they have yet to be fully evaluated. Please reference dimmer manufacturer's instructions for more detailed information regarding performance and compatibility. Test data listed above is based on single lamp data. Recommended maximum 10 units connected to a single dimmer.

ADVANTAGE DIRECT SELECT SERIES 6" RECOMMENDED DIMMERS

| BRAND | MODEL # | MAX CURRENT OUT (MA) | MIN CURRENT IN (MA) | DIMMING RANGE (%) |
|---------|----------------|----------------------|---------------------|-------------------|
| Lutron | CTCL-153P | 375 | 7.83 | 2.0-99.9 |
| Lutron | MACL-153MR-WH | 356 | 22.7 | 6.0-94.8 |
| Lutron | SCL-153P | 375 | 2.9 | 0.7-99.9 |
| Leviton | CL-6674 | 375 | 27.5 | 7.3-99.9 |
| Lutron | TG-600PH-LA | 375 | 42 | 11-99.9 |
| Leviton | CL-6683 | 374 | 0 | 0-99.6 |
| Leviton | IPL06 | 375 | 1.83 | 0.5-99.9 |
| Lutron | DGCL-153P | 375 | 5.46 | 1.4-99.9 |
| Lutron | DVCL-153P | 375 | 18.76 | 5-99.9 |
| Leviton | CL-6672 | 375 | 52.2 | 13.9-99.9 |
| Lutron | SLV-600P-IV | 375 | 14.02 | 3.7-99.9 |
| Lutron | MACL-153ME | 375 | 38.5 | 10.2-99.9 |
| Lutron | DVSCSELV-300P | 375 | 26.07 | 6.9-99.9 |
| Lutron | SELV300P-WH | 375 | 25.55 | 6.8-99.9 |
| Lutron | DV-600P | 375 | 11.56 | 3.0-99.9 |
| Lutron | DVELV-300P-WH | 375 | 25.45 | 6.7-99.9 |
| Lutron | SELV303P-WH | 375 | 26.76 | 7.1-99.9 |
| Lutron | DVWCL-153PH-WH | 375 | 13.52 | 3.6-99.9 |
| Leviton | 6674-10W | 375 | 58.7 | 15.6-99.9 |

Dimmer performance may vary in field application due to unknown external factors. Dimmers not included on the chart above are not necessarily incompatible; they have yet to be fully evaluated. Please reference dimmer manufacturer's instructions for more detailed information regarding performance and compatibility. Test data listed above is based on single lamp data. Recommended maximum 10 units connected to a single dimmer.

ADVANTAGE DIRECT SELECT SERIES 8" RECOMMENDED DIMMERS

| BRAND | MODEL # | MAX CURRENT OUT (MA) | MIN CURRENT IN (MA) | DIMMING RANGE (%) |
|---------|----------------|----------------------|---------------------|-------------------|
| Lutron | CTCL-153P | 160 | 0 | 0-100 |
| Lutron | MACL-153MR-WH | 153 | 0 | 0-95.6 |
| Lutron | SCL-153P | 160 | 0 | 0-100 |
| Leviton | CL-6674 | 160 | 2 | 1.2-100 |
| Lutron | TG-600PH-LA | 160 | 4 | 2.5-100 |
| Leviton | CL-6683 | 160 | 0 | 0-100 |
| Leviton | IPL06 | 160 | 0 | 0-100 |
| Lutron | DGCL-153P | 160 | 0 | 0-100 |
| Lutron | DVCL-153P | 160 | 0 | 0-100 |
| Leviton | CL-6672 | 160 | 8 | 0-100 |
| Lutron | SLV-600P-IV | 160 | 0 | 0-100 |
| Lutron | MACL-153ME | 160 | 0 | 0-100 |
| Lutron | DVSCSELV-300P | 160 | 0 | 0-100 |
| Lutron | SELV300P-WH | 160 | 0 | 0-100 |
| Lutron | DV-600P | 160 | 0 | 0-100 |
| Lutron | DVELV-300P-WH | 160 | 0 | 0-100 |
| Lutron | SELV303P-WH | 160 | 0 | 0-100 |
| Lutron | DVWCL-153PH-WH | 160 | 0 | 0-100 |
| Leviton | 6674-10W | 160 | 7 | 4.4-100 |

Dimmer performance may vary in field application due to unknown external factors. Dimmers not included on the chart above are not necessarily incompatible; they have yet to be fully evaluated. Please reference dimmer manufacturer's instructions for more detailed information regarding performance and compatibility. Test data listed above is based on single lamp data.



AMERICAN LIGHTING WARRANTY

LIMITED WARRANTY FOR LED PRODUCTS: 5 YEARS

LIMITED PRODUCT WARRANTY

Our products are warranted to be free from defects in material and workmanship for the warranty period listed. Warranty periods begin from the date of shipment from American Lighting Inc's warehouse to the original purchaser. Products that prove to be defective during their specific warranty period will be either repaired or replaced, at the sole discretion of American Lighting Inc. Claims for defective products must be submitted in writing to American Lighting Inc's RGA Department within the warranty period. Upon approval of such return, American Lighting Inc reserves the right to inspect the product for misuse or abuse. Claims for indirect or consequential damages or for product that, in American Lighting Inc's opinion, has been misused will be denied. This is a warranty of product reliability only and not a warranty of merchantability or fitness for a particular purpose. American Lighting Inc shall have no liability whatsoever in any event for payment of incidental or consequential damages, including, without limitations, installation costs and/or damages for personal injury and/or property. These products may represent a possible shock or fire hazard if improperly installed or altered in any way. This warranty does not apply to any product that has not been properly installed in accordance with current local codes and/or the National Electrical Code. Products that require a transformer, driver, or power supply must be used in conjunction with American Lighting Inc's recommended power supply to ensure safety and retain product warranty.

PRODUCT SPECIFICATIONS

For the latest product information, updates, instructions and details concerning specifications, colors, finishes, performance, installation and design, visit www.americanlighting.com. Color may vary from the color printed herein due to limitations in photographic and printing processes. American Lighting Inc. reserves the right to change product specifications without notice. Other product specifications such as color temperature, wavelength characteristics and lumen output are subject to production limitations and may vary. LED technology is changing rapidly, and not all color temperatures and performance levels can be duplicated at a later time. Best practices include purchasing 10-15% more for a particular project on the same initial order where white LED color temperatures must be maintained over project and product life. Eventual product replacement should be considered at layout and design stages. Best practices also include testing connections and product performance prior to mounting and/or installing.

AVERAGE LIFE

Average incandescent lamp life, rated life and average life are terms used to describe the number of hours at which half of the lamps have failed. For LEDs, the hours of rated life specify the point where 70% of original lumen output is reached. Below this point, the effective life is over, however, the LED may still emit light. Individual results may vary with actual environmental conditions including, but not limited to, proper installation, ambient temperature and/or input voltage fluctuations.