



LOCATION		DATE
PREPARED BY		QUANTITY
COMMENTS		FIXTURE TYPE
CATALOG NUMBER		



## Fulton LED Sconce FTS Series

### Features

This modern design provides a dramatic look. Ideal use in hallways, entrances or anywhere general lighting is needed. Provides lighting in residential, commercial and hospitality applications. Vertical or horizontal mounting. Meets ADA requirements. Fixture mounts to standard junction box (not included).

### Construction

Housing and backplate are die-formed from 22-gauge steel and painted. Standard mounting holes and hardware are included. Power supply connections must be made inside a junction box (not included).

### Finish

All exposed metal is painted in Black or White powder coated finish.

### Diffuser

White acrylic.

### Electrical

Input 120VAC / 60Hz.  
Compatible with residential TRIAC and ELV dimmers.

### LED

Integrated LED modules capable of producing:  
15.5W = 1200 source lumens, 488 delivered lumens  
23W = 1800 source lumens, 1164 delivered lumens  
3000K (CCT) rated for 50,000 hrs., 90 CRI.

### Certification

All fixtures are cETLus certified for indoor damp locations.  
ADA

### Warranty

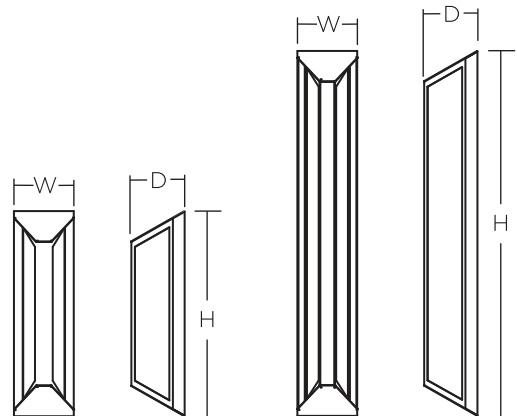
Limited warranty: This fixture is free from defects in materials and workmanship for a period of 5 years from date-of-purchase.

**Specifications and dimensions  
subject to change without notice.**



13-1/2"

24"



## Ordering Information:

White	Black	LED	Source Lumens	Delivered Lumens	CCT	H	W	D
FTS4141200L30D1WH	FTS4141200L30D1BK	15.5W	1200	488	3000K	13-1/2"	4"	3-1/2"
FTS4241800L30D1WH	FTS4241800L30D1BK	23W	1800	1164	3000K	24"	4"	3-1/2"