

# LEDVANCE Luminaires

## UFO 4A HIGH BAY

### VALUE CLASS

#### Application

An environmentally preferable alternative to traditional luminaires and offering up to 82% energy savings, the VALUE CLASS UFO 4A High Bay is ideal for illuminating warehouses, gymnasiums, and other industrial application.

#### Benefits and Features

- Lightweight fixture is designed for easy and safe installation
- NSF Splash Zone rated
- Multiple mounting options for a variety of applications – pendant, hook, surface mount
- All fixtures ship with a sensor base and are ready to accept optional, field installable, screw-in motion/daylight sensors with no wiring required – sensor installs in seconds
- Mounting hook included
- 90° polycarbonate front lens minimizes glare
- Variety of optics – polycarbonate refractor and aluminum reflector available
- IP65 rated aluminum body (finish is white or black)
- Up to 170 LPW (200W HE)
- 4000K and 5000K color temperatures
- CRI >80
- Offered in 100, 150, 200 watts and 200W HE (High Efficiency)
- Optional field installable 40W EMBB is available
- Compatible with field installable Ledvance LINK™ components

#### Electrical

- 120-347 (UNH) V<sub>AC</sub>
- Power Factor >80%
- THD <20%
- Dimmable (0-10V) dimming down to 10%
- 6kV Surge protection

#### Rated Life

- 150,000 hours (L<sub>70</sub>)

#### Warranty

- 5-year
- NLB Trusted Warranty Program

#### Certifications and Listings

- cULus
- RoHS
- FCC
- NSF
- DLC LISTED PREMIUM
- DLC 5.1 Premium



#### Wattage Comparison

| Traditional Source | Traditional System Wattage | LED System Wattage | Energy Savings |
|--------------------|----------------------------|--------------------|----------------|
| 250W MH            | 290                        | 100                | 66%            |
| 250W HPS           | 295                        | 100                | 66%            |
| 320W MH            | 370                        | 150                | 59%            |
| 400W HPS           | 460                        | 150                | 67%            |
| 400W MH            | 450                        | 150                | 67%            |
| 750W MH            | 820                        | 200                | 76%            |
| 750W HPS           | 840                        | 200                | 76%            |
| 1000W MH           | 1080                       | 200W HE            | 81%            |
| 1000W HPS          | 1100                       | 200W HE            | 82%            |

#### Ambient Operating Range

- -40°F to +122°F (-40°C to +50°C)

#### Installation

- Luminaire can be hung via included hook or can be surface or pendant mounted using optional mounting brackets.
- Includes 6' power cable and 3' dimming cable.
- Aluminum reflector, polycarbonate refractor, and polycarbonate bottoms lens are available.
- Polycarbonate refractor and polycarbonate bottom lens have an IK08 rating.
- Optional wire guards are available
- Field installed sensors: Unscrew plug in the center of the lens to screw in the optional motion/daylight sensor by hand – no wiring required



LEDLUM182R1 7-23

|             |      |
|-------------|------|
| Catalog #   | Type |
| Project     |      |
| Comments    |      |
| Prepared by |      |

Ordering Guide

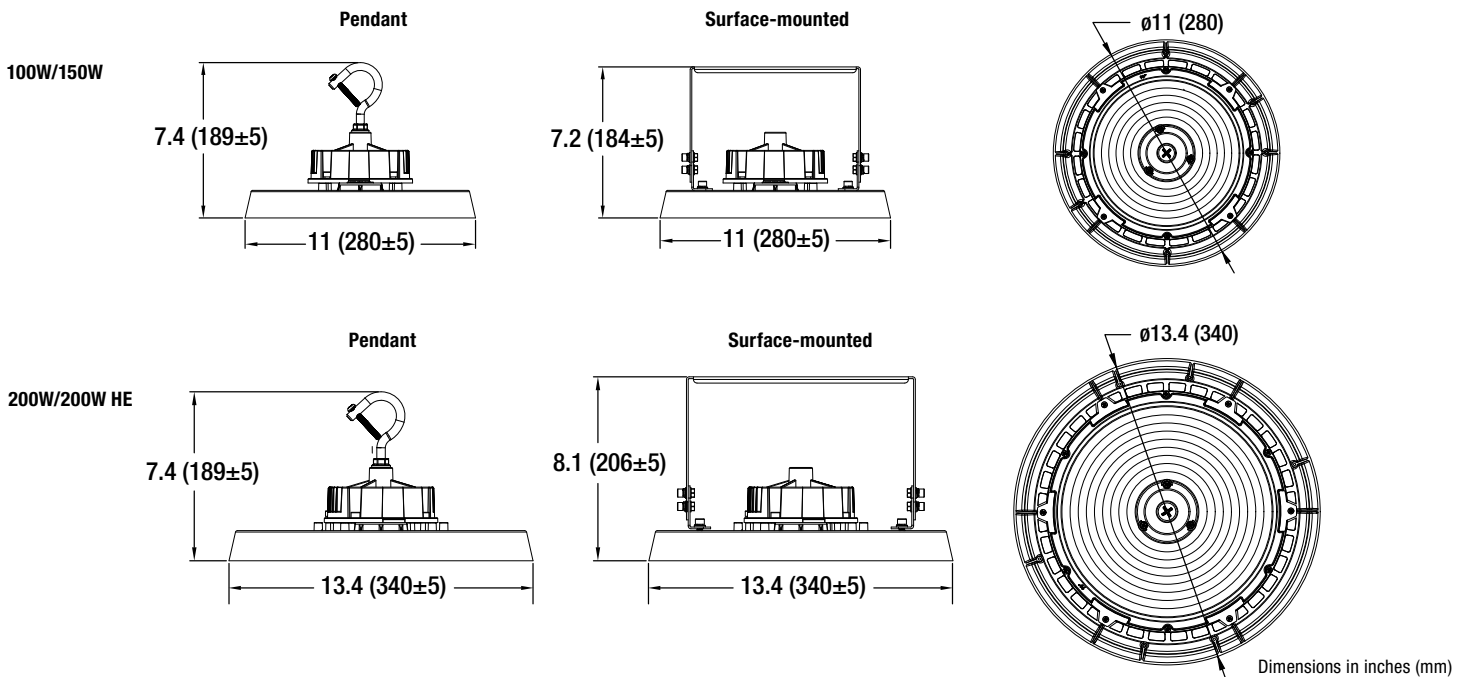
|                |                    |          |                 |               |           |          |            |          |              |
|----------------|--------------------|----------|-----------------|---------------|-----------|----------|------------|----------|--------------|
| <b>UFOHIBA</b> | <b>4A</b>          | <b>/</b> | <b>XXX</b>      | <b>UNH</b>    | <b>D</b>  | <b>8</b> | <b>XX</b>  | <b>/</b> | <b>XX</b>    |
| Product Name   | Generation         |          | Wattage         | Voltage       | Dimming   | CRI      | Color Temp |          | Color/Finish |
| UFOHIBA = UFO  | 4A = Generation 4A |          | 100 = 100W      | UNH = 120-347 | D = 0-10V | 8 = >80  | 40 = 4000K |          | WH = White   |
| High Bay       |                    |          | 150 = 150W      |               |           |          | 50 = 5000K |          | BL = Black   |
|                |                    |          | 200 = 200W      |               |           |          |            |          |              |
|                |                    |          | 200HE = 200W    |               |           |          |            |          |              |
|                |                    |          | High Efficiency |               |           |          |            |          |              |

Ordering Information

| Item Number | Ordering Abbreviation     | Power (W) | Input Voltage (V) | Dimming | CRI | Color Temp | Total Fixture Lumens (lm) | LPW | DLC     |
|-------------|---------------------------|-----------|-------------------|---------|-----|------------|---------------------------|-----|---------|
| 63034       | UFOHIBA4A/100UNHD840/WH   | 100       | 120-347           | 0-10V   | >80 | 4000K      | 14,000                    | 140 | 5.1 Prm |
| 63035       | UFOHIBA4A/100UNHD850/WH   | 100       | 120-347           | 0-10V   | >80 | 5000K      | 14,300                    | 143 | 5.1 Prm |
| 63036       | UFOHIBA4A/150UNHD840/WH   | 150       | 120-347           | 0-10V   | >80 | 4000K      | 21,000                    | 140 | 5.1 Prm |
| 63037       | UFOHIBA4A/150UNHD850/WH   | 150       | 120-347           | 0-10V   | >80 | 5000K      | 21,400                    | 143 | 5.1 Prm |
| 63038       | UFOHIBA4A/200UNHD840/WH   | 200       | 120-347           | 0-10V   | >80 | 4000K      | 28,000                    | 140 | 5.1 Prm |
| 63039       | UFOHIBA4A/200UNHD850/WH   | 200       | 120-347           | 0-10V   | >80 | 5000K      | 28,600                    | 143 | 5.1 Prm |
| 63040       | UFOHIBA4A/200HEUNHD840/WH | 200       | 120-347           | 0-10V   | >80 | 4000K      | 33,600                    | 168 | 5.1 Prm |
| 63041       | UFOHIBA4A/200HEUNHD850/WH | 200       | 120-347           | 0-10V   | >80 | 5000K      | 34,000                    | 170 | 5.1 Prm |
| 63042       | UFOHIBA4A/100UNHD840/BL   | 100       | 120-347           | 0-10V   | >80 | 4000K      | 14,000                    | 140 | 5.1 Prm |
| 63043       | UFOHIBA4A/100UNHD850/BL   | 100       | 120-347           | 0-10V   | >80 | 5000K      | 14,300                    | 143 | 5.1 Prm |
| 63044       | UFOHIBA4A/150UNHD840/BL   | 150       | 120-347           | 0-10V   | >80 | 4000K      | 21,000                    | 140 | 5.1 Prm |
| 63045       | UFOHIBA4A/150UNHD850/BL   | 150       | 120-347           | 0-10V   | >80 | 5000K      | 21,400                    | 143 | 5.1 Prm |
| 63046       | UFOHIBA4A/200UNHD840/BL   | 200       | 120-347           | 0-10V   | >80 | 4000K      | 28,000                    | 140 | 5.1 Prm |
| 63047       | UFOHIBA4A/200UNHD850/BL   | 200       | 120-347           | 0-10V   | >80 | 5000K      | 28,600                    | 143 | 5.1 Prm |
| 63048       | UFOHIBA4A/200HEUNHD840/BL | 200       | 120-347           | 0-10V   | >80 | 4000K      | 33,600                    | 168 | 5.1 Prm |
| 63049       | UFOHIBA4A/200HEUNHD850/BL | 200       | 120-347           | 0-10V   | >80 | 5000K      | 34,000                    | 170 | 5.1 Prm |

Physical Information

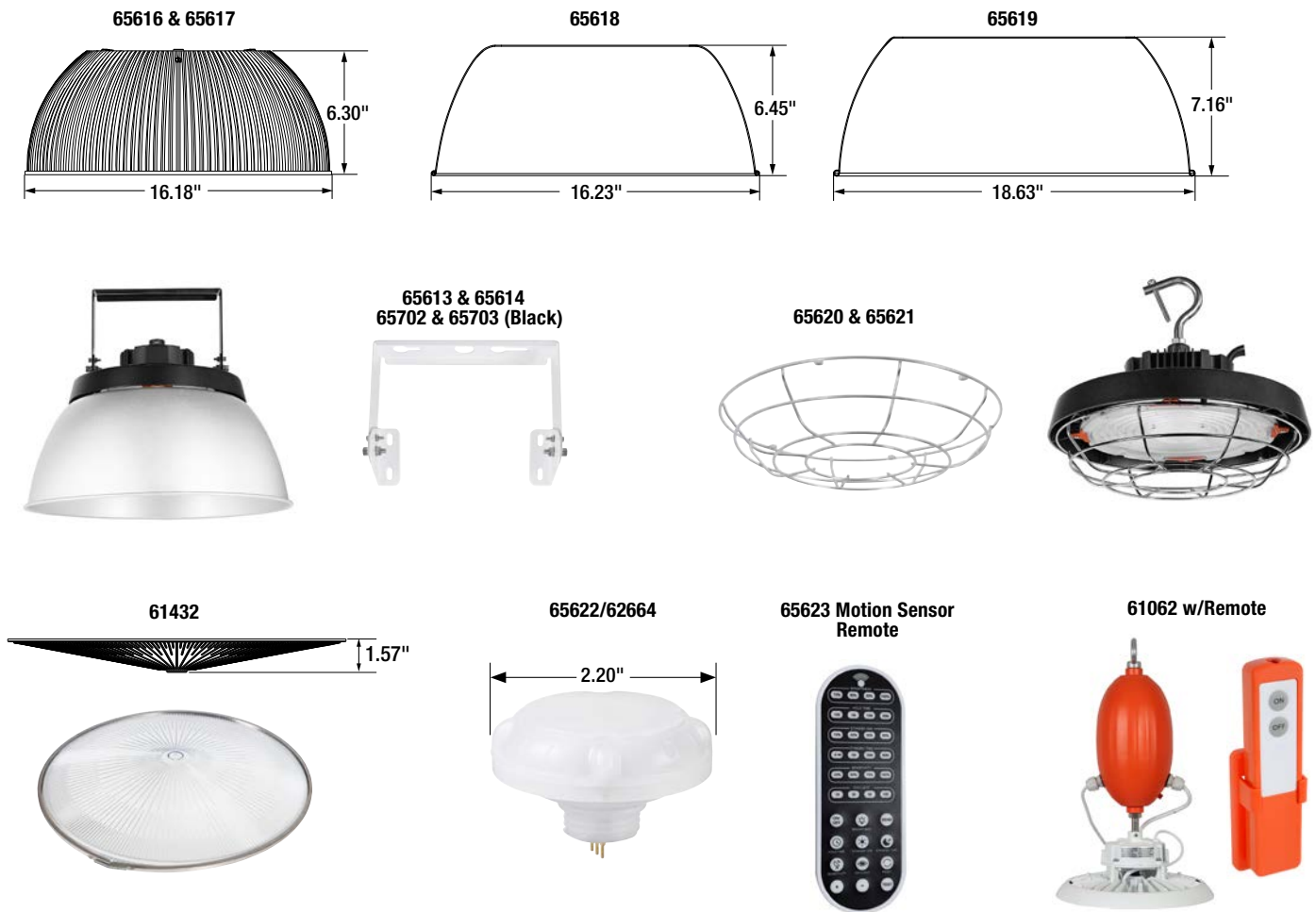
| Luminaire Description | Diameter in (mm) | Height (Pendant Mount) in (mm) | Height (Surface Mount) in (mm) |
|-----------------------|------------------|--------------------------------|--------------------------------|
| 100W/150W             | 11 (280±5)       | 7.4 (189 ±5)                   | 7.2 (184±5)                    |
| 200W/200W HE          | 13.4 (340±5)     | 7.4 (189 ±5)                   | 8.1 (206±5)                    |



## Accessories

| Item Number | Ordering Abbreviation        | Item Description                                                                                                                                                                                                                             |
|-------------|------------------------------|----------------------------------------------------------------------------------------------------------------------------------------------------------------------------------------------------------------------------------------------|
| 65613       | UFOHIBA2A/SURFPENDMNT1/WH    | White Surface/Pendant Mount Bracket for 100-150W products                                                                                                                                                                                    |
| 65614       | UFOHIBA2A/SURFPENDMNT2/WH    | White Surface/Pendant Mount Bracket for 200-200W HE products                                                                                                                                                                                 |
| 65702       | UFOHIBA2A/SURFPENDMNT1/BL    | Black Surface/Pendant Mount Bracket for 100-150W products                                                                                                                                                                                    |
| 65703       | UFOHIBA2A/SURFPENDMNT2/BL    | Black Surface/Pendant Mount Bracket for 200-200W HE products                                                                                                                                                                                 |
| 65620       | UFOHIBA2A/WG1/WH             | Wire guard for 100-150W products                                                                                                                                                                                                             |
| 65621       | UFOHIBA2A/WG2/WH             | Wire guard for 200-200W HE products                                                                                                                                                                                                          |
| 65622       | HIGHBAY/MOTIONDAYSENSOR      | Field installable Microwave DC Motion/Daylight Sensor, IP65, Max. mounting height 49 ft                                                                                                                                                      |
| 62664       | HIGHBAY/PIR/MOTIONDAYSENSOR2 | Field installable PIR DC Motion/Daylight Sensor, IP65, Max. mounting height 39 ft                                                                                                                                                            |
| 65623*      | REMOTE/MOTIONDAY/001         | Remote control for Motion/Daylight Sensor – Remote is Required to change default settings                                                                                                                                                    |
| 65616       | UFOHIBA2A/PC1/90             | Polycarbonate Refractor for 100-150W products, 90° distribution                                                                                                                                                                              |
| 65617       | UFOHIBA2A/PC2/90             | Polycarbonate Refractor for 200-200W HE products, 90° distribution                                                                                                                                                                           |
| 61432       | UFOHIBA1A/BOTTOMLENS         | Polycarbonate bottom lens for use with 65616 or 65617                                                                                                                                                                                        |
| 65618       | UFOHIBA2A/AL1/90             | Aluminum Reflector for 100-150W products, 90° distribution                                                                                                                                                                                   |
| 65619       | UFOHIBA2A/AL2/90             | Aluminum Reflector for 200-200W HE products, 90° distribution                                                                                                                                                                                |
| 61062       | EMBB/UFO/40WDC               | Field installable 40W emergency battery back-up unit, with integral junction box, providing 5000 lumens of light output for 90 minutes in case of power failure. All units ship with a remote control facilitating the testing of the units. |

\*Required to change default settings.



See page 4 for optional Ledvance LINK Accessories

### Optional Motion/Daylight Sensor Default Settings\*

|                                                                                |            |
|--------------------------------------------------------------------------------|------------|
| <b>Detection area</b>                                                          | 100%       |
| <b>Hold time – Time fixture stays at 100% after last motion before dimming</b> | 10 Minutes |
| <b>Daylight threshold – light level above which light will remain off</b>      | 50 Lux     |
| <b>Stand-by period – Time light remains dimmed before shutting off</b>         | 60 Minutes |
| <b>Stand-by dimming – Dimming level of light during stand-by period</b>        | 30%        |

\*The default settings can only be changed using the optional remote 65623.

## Optional LEDVANCE LINK™ Accessories

Field Installable components compatible with UFO 4A HIGH BAY



### Benefits and Features

- The LEDVANCE LINK Bluetooth® Mesh Low Voltage components use Bluetooth technology for easy and secure wireless communication
- Enables regular LEDVANCE luminaires to become Bluetooth enabled and allows for luminaires to be turned on/off and dimmed (manual or auto)
- The LEDVANCE LINK Controller (62630) and Sensor (62634) require the simple adapter (63652) to screw into the UFO 4A HIGH BAY
- Components can be used up to 40ft height
- Control using either the LEDVANCE LINK smart phone app or the wireless wall switch

### Ordering Information

| Item Number | Ordering Abbreviation  | Description                                                                                   |
|-------------|------------------------|-----------------------------------------------------------------------------------------------|
| 63652       | SENSORADAPTOR1A        | Sensor adapter for integration of LEDVANCE LINK 3.5mm components to 3-pin sensor sockets      |
| 62630*      | ADAPTER/AUX12V/BLE     | Bluetooth Mesh low voltage controller – BLE enables fixture                                   |
| 62634*      | SENSORHB/PIRAUX12V/BLE | Bluetooth Mesh low voltage sensor & controller Bluetooth – BLE enabled daylight/motion sensor |
| 62636       | WALLSWITCH5KEYBLE      | Bluetooth Mesh Low Voltage 5 Button Switch                                                    |

\*Requires BLE adaptor 63652

Click or scan QR code for more information on LEDVANCE LINK



COMMISSIONING GUIDE



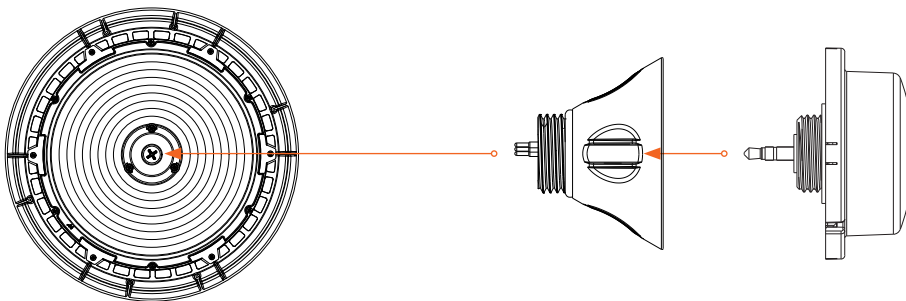
62630



62634



### Physical Information



LEDVANCE LLC  
 181 Ballardvale Street, Suite 203  
 Wilmington, MA 01887 USA  
 Phone 1-800-LIGHTBULB (1-800-544-4828)  
 www.ledvanceUS.com

LEDVANCE is a registered trademark. All other trademarks are those of their respective owners. Specifications subject to change without notice.



SCAN TO FOLLOW US ON SOCIAL MEDIA

