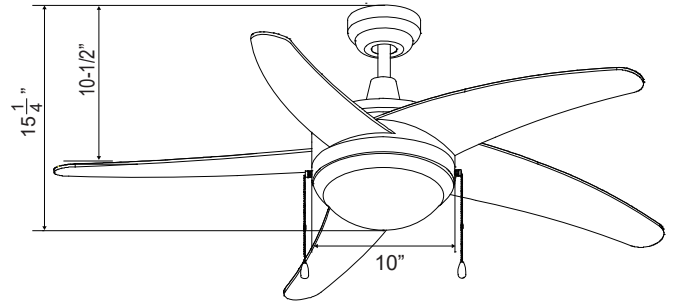


1025LED

120V

Catalog #:		Type
Project:		Date
Prepared by:		

Mirage I - 5-Curved Blade, 50" Sweep, Integrated LED Light Kit Included



DESCRIPTION

The clean lines and modern design of The Mirage I Series add style to any contemporary space. The economical LED light kit provides ample illumination and simplicity.

DESIGN FEATURES

Motor

- 3 speed | Reversible
- AC Motor | 153 x 15 mm motor | 3 capacitors
- RPM: High: 204 Low: 89
- 5246 CFM | 59.23W | Efficiency = 88.57
- 76" Lead wire | 4" down rod included

Blades

- 5-Curved Blades, 50" sweep
- Blade Construction: Plywood¹
- 12° pitch

Light Kit

- Integral LED light kit included
- 16W | 1302 lms (source) | 822 lms (delivered) | 3000K | 90 CRI | Dimmable
- Shade: Satin white glass
- Replacement glass: 1079-G-LED

Dimensions

15-1/4"	10"	10-1/2"
Height (lowest point)	Width (housing)	Height (top of blade)

Controls:

- Pull Chain Standard
- Optional Remote Control (sold separately) RC-10
- Optional Wall Control (sold separately) WC-4, WC-8, WC-13 and WC-16

Certifications

- cETLus Listed
- Fan Motor: Limited Lifetime Warranty
- LED Light Kit: 5 Year Limited Warranty
- Non-Electrical: 1 Year Limited Warranty

ORDERING GUIDE

Example: 1025LED-WW-WW

Model #	Motor / Blade Finish
1025LED-	
1025LED-	BK-BK : Black / Black BN-BN : Brushed Nickel / Brushed Nickel OB-OB : Oil Rubbed Bronze / Oil Rubbed Bronze WW-WW : White / White

¹To avoid fan blade warping, fan must be installed in climate controlled environment

